



PRICE LIST 2024-09

WATER HEATERS AND FLUE SYSTEMS

The reality
that looks far





Interactive price list

An important news!

In this edition of the catalogue, ATI has included QR codes that allow you to look up the prices of our products in an online price list that is always updated and easily accessible.

Unfortunately, the trend in the cost of raw materials has made it difficult to communicate stable prices in the printed price list. We hope to do something pleasant by adding this online tool to the catalogue.

How does it work ?

Within the section indexes of the catalogue there are QR codes: by framing them with the smartphone you will be taken directly to the price list of the desired section of the catalogue. The page contains a quick search function on all the codes present in the price list with a constantly updated quotation. Alternatively, you can access the service from your computer by typing directly into the browser <https://prices.atimariani.it>





MARIANI THERMO GROUP

SINCE 1973

PRICE LIST 2024-09

GAS FIRED WATER HEATERS

15



CONDENSING

16

SEALED COMBUSTION CHAMBER AND FORCED FLUE DRAFT

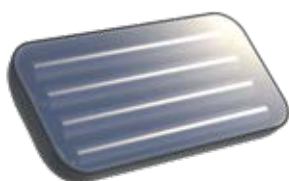
34

OPEN COMBUSTION CHAMBER AND NATURAL FLUE DRAFT

60

NATURAL CIRCULATION SOLAR WATER HEATERS

71



HYDROSOL

72

DISCOSOL

74

DISCOTERM

76

TOTEM

78

OUTDOOR SHOWERS

81



SOLAR SHOWERS

82

TRADITIONAL SHOWERS

94

FLUE SYSTEMS

107



T120 POLYPROPYLENE

109

T200 METALLIC

173

T200-T250 PELLETT STOVES

209

OUR FAMILY



INNOVATION AND PASSION SINCE 1973

Founded in 1973 in Cesena, Italy, ATI DI MARIANI SRL is the result of the innovative and entrepreneurial attitude of Mario Mariani. As a result of years of experience gained in the heating market and thanks to a great and inextinguishable passion and the support of a trusted circle, Mariani established a vigorous and remarkable reality, creating over the years a wide range of innovative and successful products, predominantly designed and patented by himself.

The experience and professionalism of our team, as well as the ambition and the curiosity to always improve along with progress and above all, the passion for the own work and devotion for the products, are the engine that everyday drives ATI to face new challenges and to continue to establish it on the international market.

Since its foundation, ATI - Mariani Thermo Group has developed and evolved from the solid assumption of being a family business, ensuring continuity and security for its employees and setting its governance based on shared values at all levels of the organization.

THE GROUP'S VALUES

QUALITY 100% MADE IN ITALY - all ATI production is Italian and, in particular, it is located in Cesena, the Group's hometown.

FLEXIBILITY - the completely internal design and production allow to meet the multiple demands of the market and the particular needs of individual customers.

SIMPLICITY - ATI products are designed to be easy to understand, install, use and maintain.

RELIABILITY - customers and partners can testify to the intrinsic quality of ATI products which, during their life cycle, rarely require maintenance interventions. The care of each step of the production process and the quality of the raw materials used are a guarantee of durability and longevity of ATI products.



THE LONG PATH OF OUR PRODUCTS

1993

ATI'S FLUE SYSTEM DIVISION STARTS the production expands to flue pipes and flue gas exhaust ductwork with the implementation of new production facilities including enamelling service.



1992

SECURITY, first gas storage water heater with sealed combustion chamber. An innovative solution for the main security needs demanded by the market.



1975

DISCOTERM Innovative solar panel with integrated storage, among the first to be made available on the market.



1973

DUPLETERM: the first boiler with two independent burners for DHW production with integrated storage and heating.



1975

WALL HANGING DUPELTERM: Two independent burners and wall setting up that simplify and expand the possibilities of domestic installations.



1988

COMFORT 3 small-sized storage gas water heater, able to provide heating and DHW. Used in the nautical and RV (camper vans and motorhomes)



2018

DISCOSOL
Thermal solar panel
Solar Keymark certified.



2022

HYDRODENS,
New model of condensing
water heater with integrated
storage, digital thermostat
and weekly programmable
chronothermostat.

2023

HYDROSOL,
High efficiency solar panel with
integrated storage

2012

The **SECURITY** range it
is renewed to comply
the new European and
environmental standards



RARE FALLS WHO WALKS WELL.

Leonardo da Vinci



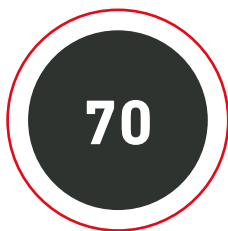
**I'D LIKE TO BE,
NOT APPEAR.**

Mario Mariani, company founder



COMPANY PROFILE

The company runs with 70 employees splitted all over the production site, with a total area of 38,000 m² of which 15,000 m² are covered, located in Cesena, in the Forlì-Cesena district, Italy.



Employees



Associates



Countries we export to



of Export



DHW sector products



Flue systems sector products

PRODUCTION

The production process is carried out utterly realized on Ati's plants. This allows the maximum supervision on the whole productive cycle and therefore guarantee the elevate quality standards. A close attention is paid to the selection of raw materials, as the quality of the finished product depends on the condition of all the elements that forms the production process. Each supply is submitted to severe inspections and if the goods do not respect the specific quality standards will be rejected.



RESEARCH AND DEVELOPMENT

Looking forward over ATI's 40 years a word can define our path: progress. ATI is a constantly evolving reality. Growing production trends, projects in progress, new patents, fuel our team passion, curiosity and resourcefulness, projecting the company, every day, towards the future.

CONTINUOUS TRAINING

A qualified and motivated team represent the most important capital of the company. The Corporate social responsibility manifests itself by the involvement and mutual trust ensured by the compliance of the rules encouraging the worker's personal growth.





ATI IN THE WORLD

TERRITORY AND RESPONSIBILITY

ATI is deeply attached to its own territory, surrounded by evocative medieval villages, sweet rolling hills and green cultivated valleys. We firmly believe that working in such harmonious environment is an inspirational element of great value for the company.

For ATI the social responsibility that derives from its impact on the territory is a relevant issue. This principle encourages the company to maintain healthy relationships with all its interlocutors and establish constructive and synergistic dialogue with other local entities.



QUALITY AND CERTIFICATION

In 1998, ATI achieves the quality system certification, in accordance with ISO 9001 international standards. An important attainment that puts our company in a position of competitiveness towards the main and most reliable operators of this specific market field, both in Italy and abroad.

ATI operates in compliance with the following construction quality standards, specifically:

- 2014/35/UE - Low Voltage Directive
- 2014/30/UE - Electromagnetic Compatibility Directive
- 2016/426 (GAR) - European regulation
- ERP ecolabeling
- UNI EN 14471 / EN 1856-1 / EN 1856-2 / UNI EN 14989-2 EC Certificates



GAS FIRED WATER HEATERS

CONDENSING

16



prices.atimariani.it/ati



49 KW FLOOR STANDING
HYDRODENS

16

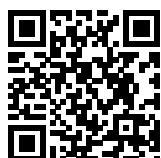


24,5 KW FLOOR STANDING
WHC400
WHC500
WHC700
WHC900

22

SEALED CHAMBER AND FORCED FLUE DRAFT

34



prices.atimariani.it/ati



5 KW WALL HANGING
SX080
SX120

34



13-23 KW FLOOR STANDING
SX160
SX220
SX300
SX400
SX600
SX800

42

OPEN CHAMBER AND NATURAL FLUE DRAFT

60



prices.atimariani.it/ati



23-28 KW FLOOR STANDING
TX220
TX300
TX400
TX600
TX800

60

Condensing gas fired storage water heater

HYDRODENS



Product details



Video



ErP Ready



Low Emissions



Premix Burner

ENERG Y UA IE IA
енергия · енергия

ATI DI MARIANI SRL HY49-350

XXL

A* A B C D E F

A

62.9 dB

25 kWh/annum 21 GJ/annum

2017 812/2013

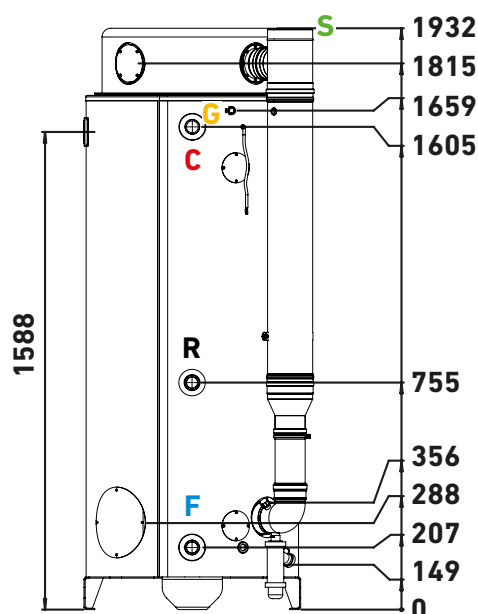
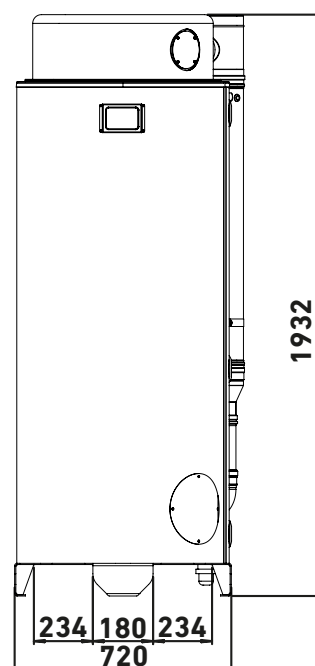


Code **HY49-350**
Price **€ 7.100,00**

Main characteristics

- Internal glazing
- Closed-cell polyurethane foam insulation
- Electronic ignition
- Impressed current cathodic protective system
- Natural gas up to 20% hydrogen approved
- Low NOx emissions premix burner (<40 mg/kwh)
- Weekly programming
- Anti-legionella function
- Antifreeze function
- Inspection and cleaning flange
- Various ATI flue kits available

Technical data		
Storage capacity	L	330
Nominal input (gross)	kW	49,90
Nominal output (net)	kW	50,65
Warm up time ($\Delta T = 45^{\circ}\text{C}$)	min	20
Continuous water at 40°C	l/h	1742
Draw-off capacity single withdrawal*	L	660
Methane consumption (G20)**	m ³ /h	5,43
Propane consumption (G31)**	kg/h	/
Max operating pressure	bar	6
Net weight	kg	202
Connections		
Cold Water Inlet	F	G 1" 1/4
Hot Water Outlet	C	G 1" 1/4
Recirculation	R	G 1" 1/4
Gas Inlet	G	G 3/4"
Exhaust fumes - concentric	S	$\varnothing 100/150$
Exhaust fumes - split		$\varnothing 100 \varnothing 100$
Packaging		
Packages	n.	1
Wooden cage (l x w x h) - (weight)	cm - (kg)	76x76x197 - (268)
Box (l x w x h) - (weight)	cm - (kg)	/



*Under standard conditions: T in 15°C , T out 40°C , T storage 65°C

** Under standard conditions: T in 15°C , 1013 mbar

Ø100 / 150 PP-St. steel horizontal concentric flue kit

AKIT31



Product details



KIT content

- Ø100 90°M/F PP elbow
- Ø150 90° M/F stainless steel elbow
- Ø 100 EPDM seal
- Ø 150 EPDM seal
- Ø 100/150 centering ring
- Ø 150 x 500 M/F stainless steel pipe
- Ø 100 x 500 M/F PP pipe
- Ø 100/150 PP black terminal
- Ø 150 stainless steel wall cover

For models

- HY49-350



Code AKIT31	Price € 225,00
-----------------------	--------------------------



Available accessories



Concentric extension
PP/st. steel Ø100/150 L= 500

Code WXPX1015050

Price
€ 51,00



Concentric extension
PP/st. steel Ø100/150 L= 1000

Code WXPX1015100

Price
€ 80,00



Concentric elbow
PP/st. steel Ø100/150 45°

Code WXPX101545

Price
€ 65,00



Concentric elbow
PP/st. steel Ø100/150 90°

Code WXPX101590

Price
€ 76,00

Ø100/150 PP-St. steel vertical concentric flue kit

AKIT32



Product details



KIT content

- Ø 100 x 235 stainless steel pipe
- Ø 150 X 1000 stainless steel pipe
- Ø 150 X 250 M/F stainless steel pipe with air intake
- Ø 100/150 M-F increase adapter
- Ø 100 X 250 M/F PP pipe
- Ø 100 X 1000 M/F PP pipe
- Ø 100 EPDM seal
- Ø 150 EPDM seal
- Ø 100 stainless steel terminal
- Ø 100/150 centering ring
- Ø150 stainless steel ring

For models

- HY49-350

Code
AKIT32

Price
€ 230,00



C33

Available accessories



Concentric extension
PP/st. steel Ø100/150 L= 500

Code
WXPX1015050

Price
€ 51,00



Concentric extension
PP/st. steel Ø100/150 L= 1000

Code
WXPX1015100

Price
€ 80,00



Concentric elbow
PP/st. steel Ø100/150 45°

Code
WXPX101545

Price
€ 65,00



Concentric elbow
PP/st. steel Ø100/150 90°

Code
WXPX101590

Price
€ 76,00

Ø100/100 PP single wall horizontal flue kit **AKIT33**



Product details



KIT content

- 150/100 H= 230 mm M/F stainless steel T element
- Ø 150 X 1000 stainless steel pipe
- Ø 100 X 250 M/M PP pipe
- Ø 100 X 1000 M/F PP pipe
- Ø 100 90° M/F PP elbow
- Ø 100 wall cover
- Ø 100 EPDM seal
- Ø 150 EPDM seal
- Ø 100 stainless steel grid
- Ø100 stainless steel terminal
- Ø 150 stainless steel ring

For models

- HY49-350

Code
AKIT33

Price
€ 250,00

AIR
min 1 m ÷ max 3 m

EXHAUST
min 1 m ÷ max 10 m



C53

C83

Available accessories



PP extension
Ø100 L= 500

Code
AKIT33-01

Price
€ 15,20



PP extension
Ø100 L= 1000

Code
AKIT33-02

Price
€ 24,10



PP elbow
Ø100 45°

Code
AKIT33-03

Price
€ 11,90



PP elbow
Ø100 90°

Code
AKIT33-04

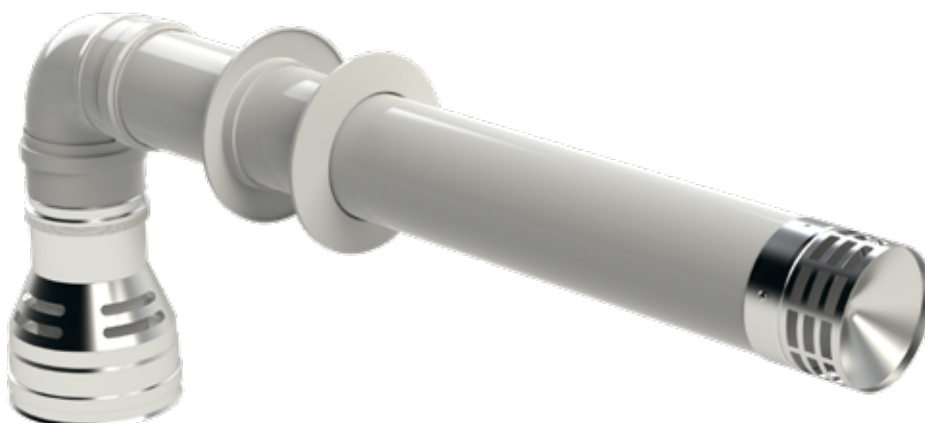
Price
€ 12,10

Ø100 PP type B open chamber horizontal flue kit

AKIT34



Product details



KIT content

- Ø150/100 F-F reducing adapter
- Ø 100 X 250 M/F PP pipe
- Ø100 X 750 M/M PP pipe
- Ø 100 A 90 M/F PP elbow
- Ø100 silicone wall cover
- Ø 100 triple lip EPDM seal
- Ø 100 EPDM seal
- Ø 150 EPDM seal
- Ø 100 stainless steel terminal

For models

- HY49-350



Code AKIT34	Price € 110,00
-----------------------	--------------------------

B23 **B53**

Available accessories

PP extension Ø100 L= 500	PP extension Ø100 L= 1000	PP elbow Ø100 45°	PP elbow Ø100 90°
Code AKIT33-01	Code AKIT33-02	Code AKIT33-03	Code AKIT33-04
Price € 15,20	Price € 24,10	Price € 11,90	Price € 12,10

Condensing gas fired storage water heater

WHC 400



Product details



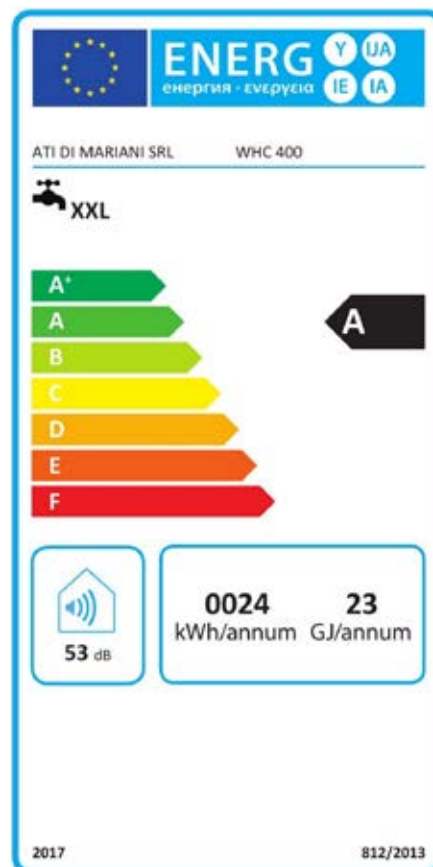
ErP Ready



Low Emissions



Premix Burner



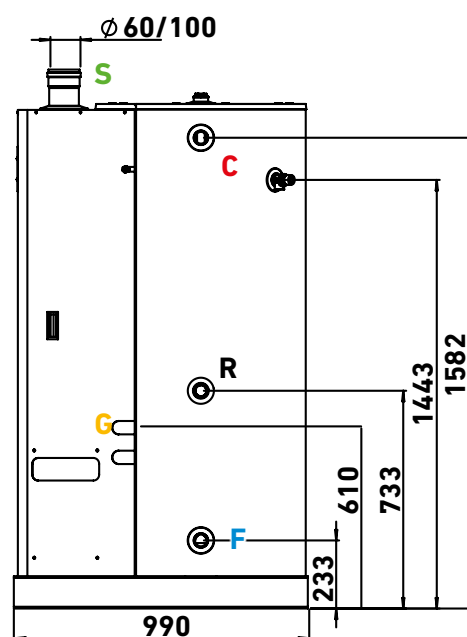
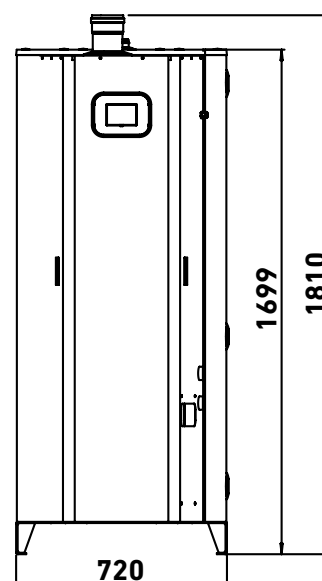
Exhaust kit from page. 30

Code **WHC400**
Price **€ 5.600,00**

Main characteristics

- Device operating with ATI original flue kits only
- Internal glazing
- Closed-cell polyurethane foam insulation
- Electronic ignition
- Corrosion protection with magnesium anode
- High efficiency AISI316 steel heat exchanger
- Stainless steel multigas premix burner, natural gas ready
- Possibility of conversion to propane
- Overpressure safety valve
- Inspection and cleaning flange
- Anti-legionella function
- Various ATI flue kits available

Technical data		
Storage capacity	L	395
Nominal input (gross)	kW	25,00
Nominal output (net)	kW	24,50
Warm up time ($\Delta T = 45^{\circ}\text{C}$)	min	51
Continuous water at 40°C	l/h	843
Draw-off capacity single withdrawal*	L	790
Methane consumption (G20)**	m ³ /h	2,70
Propane consumption (G31)**	kg/h	2,10
Max operating pressure	bar	6
Net weight	kg	183
Connections		
Cold Water Inlet	F	G 1" 1/4
Hot Water Outlet	C	G 1" 1/4
Recirculation	R	G 1" 1/4
Gas Inlet	G	G 3/4"
Exhaust fumes - concentric	S	$\varnothing 60/100$, $\varnothing 80/125$
Exhaust fumes - split		$\varnothing 80$ $\varnothing 80$
Packaging		
Packages	n.	1
Wooden cage (l x w x h) - (weight)	cm - (kg)	82x110x174 - (203)
Box (l x w x h) - (weight)	cm - (kg)	/



*Under standard conditions: T in 15°C , T out 40°C , T storage 65°C

** Under standard conditions: T in 15°C , 1013 mbar

Condensing gas fired storage water heater



Product details

WHC 500



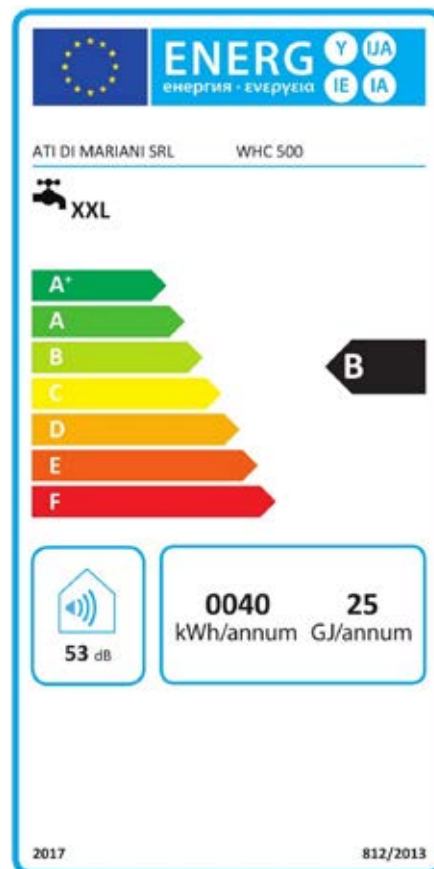
ErP Ready



Low Emissions



Premix Burner



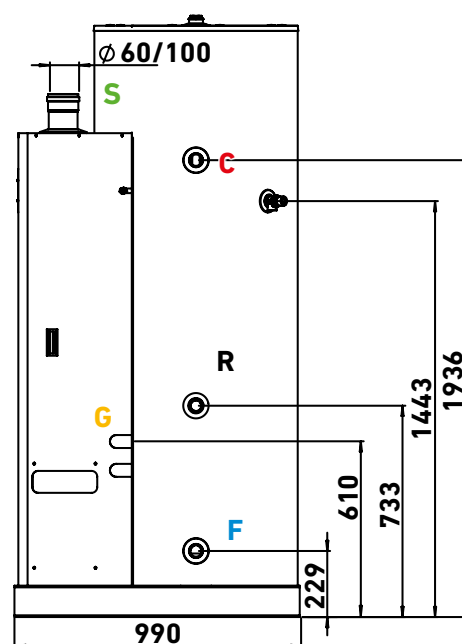
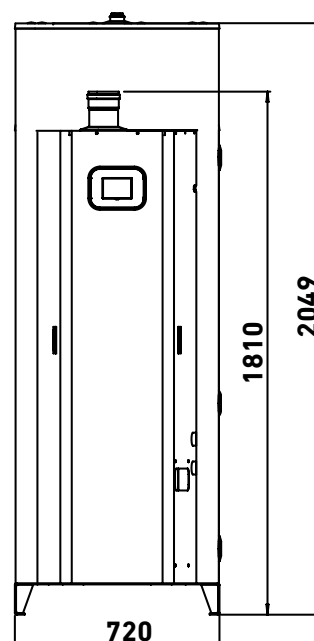
Exhaust kit from page. 30

Code **WHC500**
Price € **6.250,00**

Main characteristics

- Device operating with ATI original flue kits only
- Internal glazing
- Closed-cell polyurethane foam insulation
- Electronic ignition
- Corrosion protection with magnesium anode
- High efficiency AISI316 steel heat exchanger
- Stainless steel multigas premix burner, natural gas ready
- Possibility of conversion to propane
- Overpressure safety valve
- Inspection and cleaning flange
- Anti-legionella function
- Various ATI flue kits available

Technical data		
Storage capacity	L	500
Nominal input (gross)	kW	25,00
Nominal output (net)	kW	24,50
Warm up time ($\Delta T = 45^{\circ}\text{C}$)	min	64
Continuous water at 40°C	l/h	843
Draw-off capacity single withdrawal*	L	1000
Methane consumption (G20)**	m ³ /h	2,70
Propane consumption (G31)**	kg/h	2,10
Max operating pressure	bar	6
Net weight	kg	207
Connections		
Cold Water Inlet	F	G 1" 1/4
Hot Water Outlet	C	G 1" 1/4
Recirculation	R	G 1" 1/4
Gas Inlet	G	G 3/4"
Exhaust fumes - concentric	S	$\varnothing 60/100, \varnothing 80/125$
Exhaust fumes - split		$\varnothing 80 \varnothing 80$
Packaging		
Packages	n.	1
Wooden cage (l x w x h) - (weight)	cm - (kg)	82x110x210 - (229)
Box (l x w x h) - (weight)	cm - (kg)	/



*Under standard conditions: T in 15°C , T out 40°C , T storage 65°C

** Under standard conditions: T in 15°C , 1013 mbar

Condensing gas fired storage water heater



Product details

WHC 700



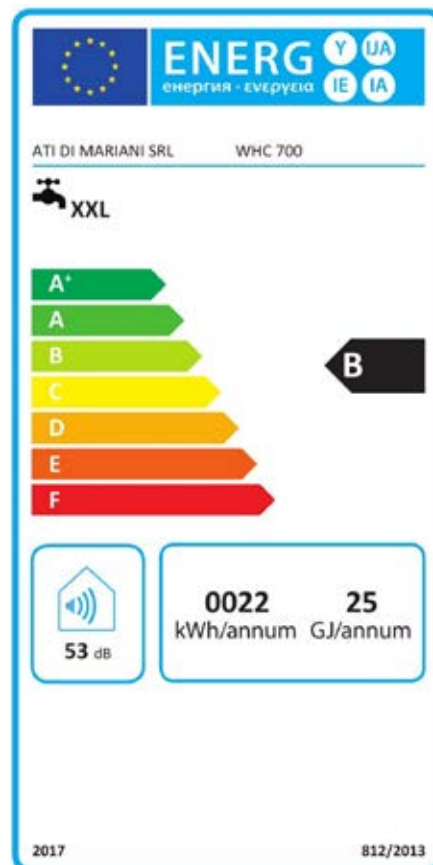
ErP Ready



Low Emissions



Premix Burner



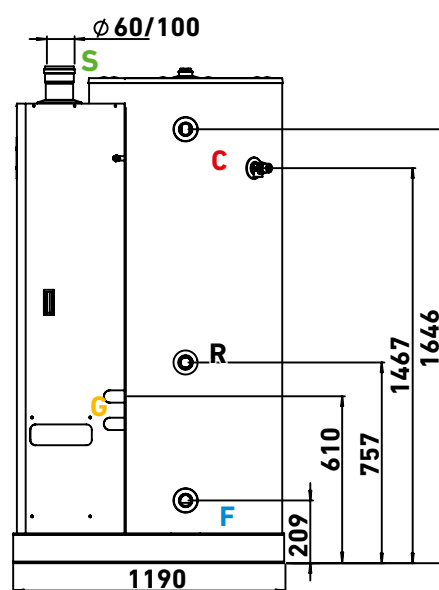
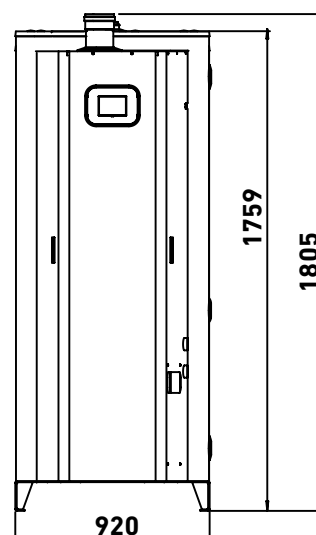
Exhaust kit from page. 30

Code **WHC700**
Price **€ 6.800,00**

Main characteristics

- Device operating with ATI original flue kits only
- Internal glazing
- Closed-cell polyurethane foam insulation
- Electronic ignition
- Corrosion protection with magnesium anode
- High efficiency AISI316 steel heat exchanger
- Stainless steel multigas premix burner, natural gas ready
- Possibility of conversion to propane
- Overpressure safety valve
- Inspection and cleaning flange
- Anti-legionella function
- Various ATI flue kits available

Technical data		
Storage capacity	L	700
Nominal input (gross)	kW	25,00
Nominal output (net)	kW	24,50
Warm up time ($\Delta T = 45^{\circ}\text{C}$)	min	90
Continuous water at 40°C	l/h	843
Draw-off capacity single withdrawal*	L	1400
Methane consumption (G20)**	m ³ /h	2,70
Propane consumption (G31)**	kg/h	2,10
Max operating pressure	bar	6
Net weight	kg	237
Connections		
Cold Water Inlet	F	G 1" 1/4
Hot Water Outlet	C	G 1" 1/4
Recirculation	R	G 1" 1/4
Gas Inlet	G	G 3/4"
Exhaust fumes - concentric	S	$\varnothing 60/100, \varnothing 80/125$
Exhaust fumes - split		$\varnothing 80 \varnothing 80$
Packaging		
Packages	n.	1
Wooden cage (l x w x h) - (weight)	cm - (kg)	103x130x180 - (259)
Box (l x w x h) - (weight)	cm - (kg)	/



*Under standard conditions: T in 15°C , T out 40°C , T storage 65°C

** Under standard conditions: T in 15°C , 1013 mbar

Condensing gas fired storage water heater

WHC 900



Product details



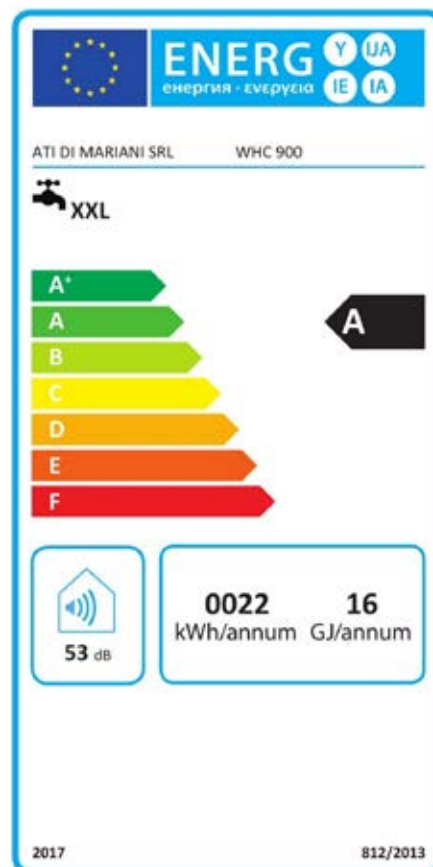
ErP Ready



Low Emissions



Premix Burner



Code **WHC900**
Price **€ 8.100,00**

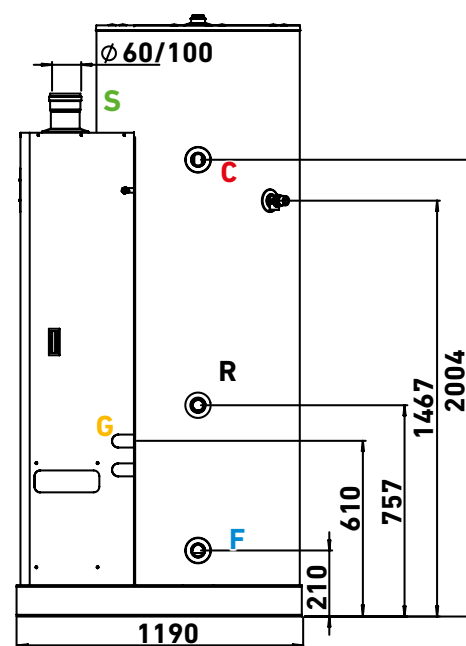
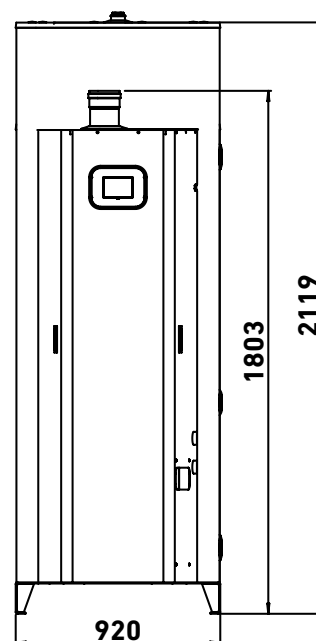


Exhaust kit from page. 30

Main characteristics

- Device operating with ATI original flue kits only
- Internal glazing
- Closed-cell polyurethane foam insulation
- Electronic ignition
- Corrosion protection with magnesium anode
- High efficiency AISI316 steel heat exchanger
- Stainless steel multigas premix burner, natural gas ready
- Possibility of conversion to propane
- Overpressure safety valve
- Inspection and cleaning flange
- Anti-legionella function
- Various ATI flue kits available

Technical data		
Storage capacity	L	900
Nominal input (gross)	kW	25,00
Nominal output (net)	kW	24,50
Warm up time ($\Delta T = 45^{\circ}\text{C}$)	min	115
Continuous water at 40°C	l/h	843
Draw-off capacity single withdrawal*	L	1800
Methane consumption (G20)**	m ³ /h	2,70
Propane consumption (G31)**	kg/h	2,10
Max operating pressure	bar	6
Net weight	kg	272
Connections		
Cold Water Inlet	F	G 1" 1/4
Hot Water Outlet	C	G 1" 1/4
Recirculation	R	G 1" 1/4
Gas Inlet	G	G 3/4"
Exhaust fumes - concentric	S	$\varnothing 60/100, \varnothing 80/125$
Exhaust fumes - split		$\varnothing 80 \varnothing 80$
Packaging		
Packages	n.	1
Wooden cage (l x w x h) - (weight)	cm - (kg)	103x130x217 - (297)
Box (l x w x h) - (weight)	cm - (kg)	/



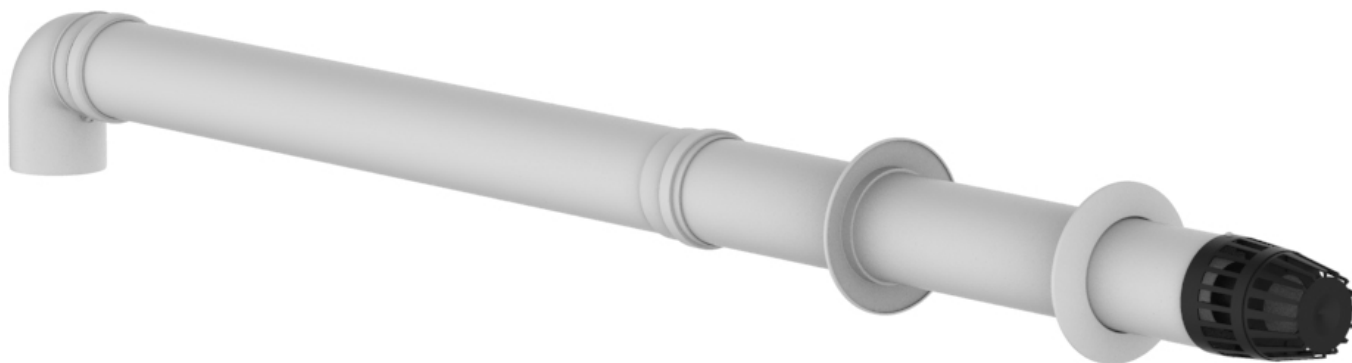
*Under standard conditions: T in 15°C , T out 40°C , T storage 65°C

** Under standard conditions: T in 15°C , 1013 mbar

Ø 60/10 PP-PP horizontal concentric flue kit

AKIT11

Product details

**KIT content**

- Ø 60 90° PP M/F elbow
- Ø 100 90° PP M/F elbow
- Ø60 EPDM seal
- Ø100 EPDM seal
- Ø60/100 air intake/flue outlet terminal
- Ø60/100 centering ring
- Ø100 silicone wall cover
- Ø60x810 black PP M/M pipe - uv resistant
- Ø60x1000 PP M/F pipe
- Ø100x750 PP M/M pipe

For models

- WHC 400
- WHC 500
- WHC 700
- WHC 900

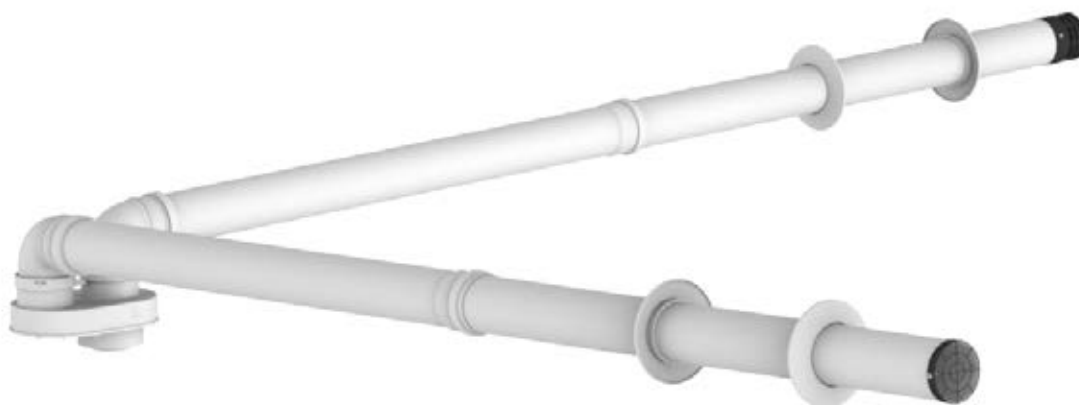
Code
AKIT11Price
€ 139,20**C1****Available accessories**Concentric extension
pipe Ø60/100 L= 500Code
AKIT11-01Price
€ 17,80Concentric extension
pipe Ø60/100 L= 1000Code
AKIT11-02Price
€ 24,40Concentric extension
pipe Ø60/100 L= 2000Code
AKIT11-03Price
€ 44,50Concentric elbow
Ø60/100 - 45°Code
AKIT11-04Price
€ 20,10Concentric elbow
Ø60/100 - 90°Code
AKIT11-05Price
€ 21,10

Ø 80/80 PP horizontal single wall flue kit

AKIT12



Product details

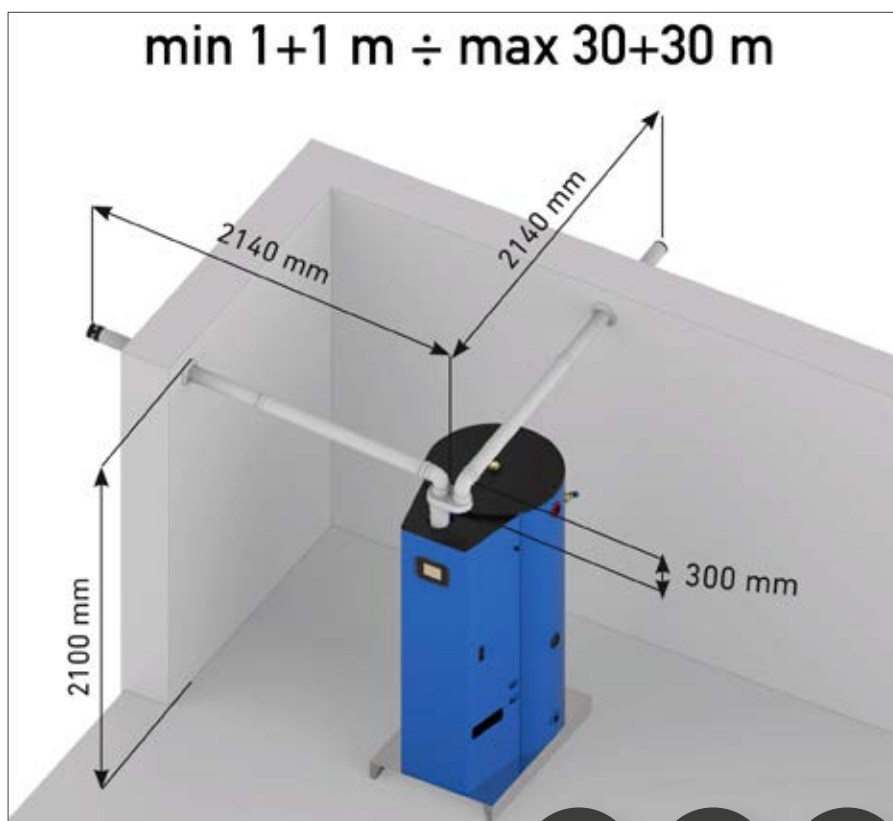


KIT content

- Ø 80 90° PP M/F elbow
- Ø80 air intake stainless steel grid
- Ø80 flue outlet stainless steel grid
- Ø80 EPDM seal
- Adapter from Ø 60/100 to Ø 80-80
- Ø80 silicone wall cover
- Ø80x1000 PP M/F pipe
- Ø80x1000 PP M/M pipe

For models

- WHC 400
- WHC 500
- WHC 700
- WHC 900



Code
AKIT12

Price
€ 205,90

C4

C5

C8

Available accessories



Extension pipe
Ø80 L= 250

Code
AKIT12-01

Price
€ 8,50



Extension pipe
Ø80 L= 500

Code
AKIT12-02

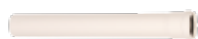
Price
€ 10,00



Extension pipe
Ø80 L= 1000

Code
AKIT12-03

Price
€ 15,50



Extension pipe
Ø80 L= 2000

Code
AKIT12-04

Price
€ 28,50



Elbow
Ø80 - 45°

Code
AKIT12-05

Price
€ 9,30



Elbow
Ø80 - 90°

Code
AKIT12-06

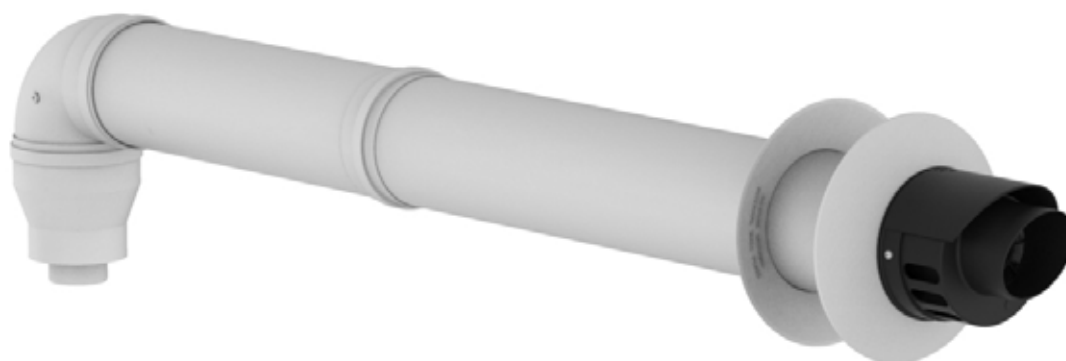
Price
€ 9,70

Ø 80/125 PP-Alu horizontal concentric flue kit

AKIT13



Product details



KIT content

- Ø 125 90° alu M/F elbow
- Ø80 EPDM seal
- Ø125 EPDM seal
- Ø80/125 concentric terminal (air intake/flue outlet)
- Ø80/125 centering ring
- Ø80F / Ø60M PP increase adapter
- Ø100/125 increase adapter
- Ø80x500 PP M/F pipe
- Ø125x500 alu M/F pipe

For models

- WHC 400
- WHC 500
- WHC 700
- WHC 900



Code AKIT13	Price € 255,90
-----------------------	--------------------------

C1

Accessories available

Concentric extension pipe Ø80/125 L= 500	Concentric extension pipe Ø80/125 L= 1000	Concentric extension pipe Ø80/125 L= 2000	Concentric elbow Ø80/125 - 45°	Concentric elbow Ø80/125 - 90°
Code AKIT13-01	Code AKIT13-02	Code AKIT13-03	Code AKIT13-04	Code AKIT13-05
Price € 32,20	Price € 47,80	Price € 80,10	Price € 32,20	Price € 41,20

Sealed combustion chamber gas fired storage water heater

SECURITY SX080



Product details



ErP Ready



Low Emissions



Wall Hanging

ENERG Y UA
енергия · енергия IE IA

ATI DI MARIANI SRL SX080

M

A*
A
B
C
D
E
F

A

45 dB

0008 07
kWh/annum GJ/annum

2017 812/2013

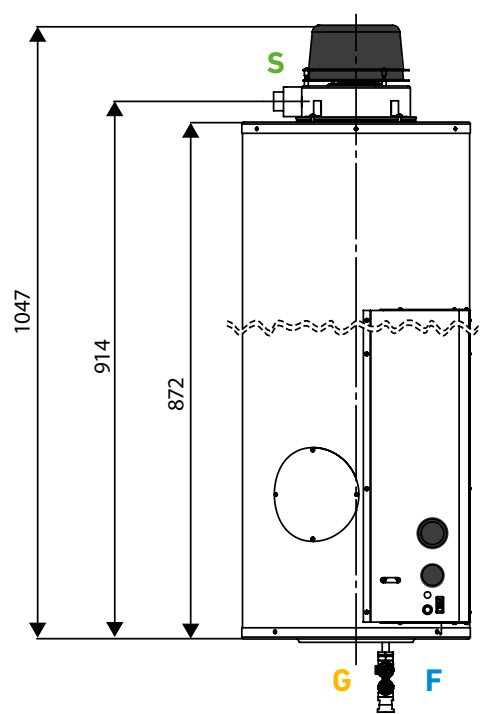
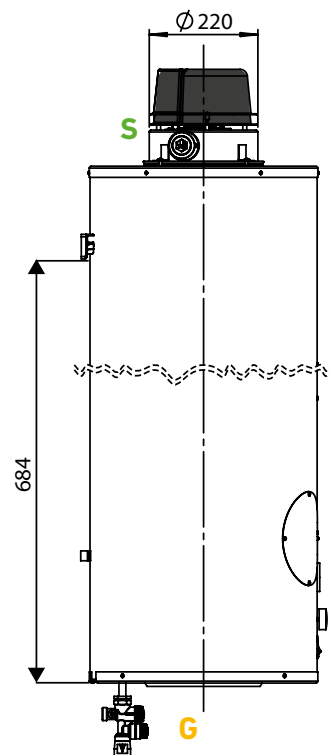


Code **SX080**
Price **€ 1.750,00**

Main characteristics

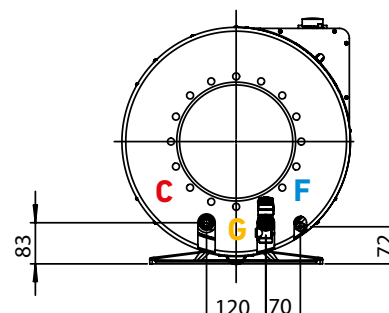
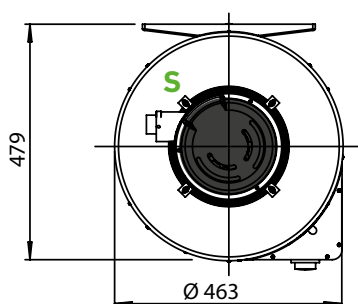
- Device operating with ATI original flue kits only
- Internal glazing
- Closed-cell polyurethane foam insulation
- Electronic ignition
- Corrosion protection with magnesium anode
- Adjustable thermostat and overheat safety thermostat
- Stainless steel multigas premix burner, natural gas ready
- LPG conversion kit included
- Adjustable flue hood
- Inspection and cleaning flange
- Various ATI flue kits available

Technical data		
Storage capacity	L	75
Nominal input (gross)	kW	5,00
Nominal output (net)	kW	4,30
Warm up time ($\Delta T = 45^{\circ}\text{C}$)	min	55
Continuous water at 40°C	l/h	148
Draw-off capacity single withdrawal*	L	150
Methane consumption (G20)**	m ³ /h	0,52
Propane consumption (G31)**	kg/h	0,39
Max operating pressure	bar	6
Net weight	kg	52
Connections		
Cold Water Inlet	F	G 1/2" M
Hot Water Outlet	C	G 1/2" M
Recirculation	R	/
Gas Inlet	G	G 3/8"
Exhaust fumes - concentric	S	$\varnothing 38/60$
Exhaust fumes - split		$\varnothing 38 \varnothing 60$
Packaging		
Packages	n.	1
Wooden cage (l x w x h) - (weight)	cm - (kg)	/
Box (l x w x h) - (weight)	cm - (kg)	53x53x112 - (58)



*Under standard conditions: T in 15°C , T out 40°C , T storage 65°C

** Under standard conditions: T in 15°C , 1013 mbar



Sealed combustion chamber gas fired storage water heater

SECURITY SX120



Product details



ErP Ready



Low Emissions



Wall Hanging

ENERG Y UA
енергия · ενεργεια IE IA

ATI DI MARIANI SRL SX120

Water tap icon

Energy efficiency scale: A+, A, B, C, D, E, F. The label is positioned at **B**.

45 dB

0015 13
kWh/annum GJ/annum

2017 812/2013

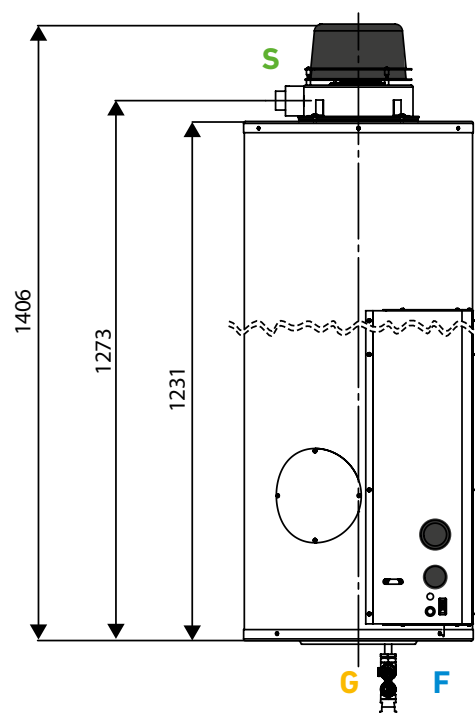
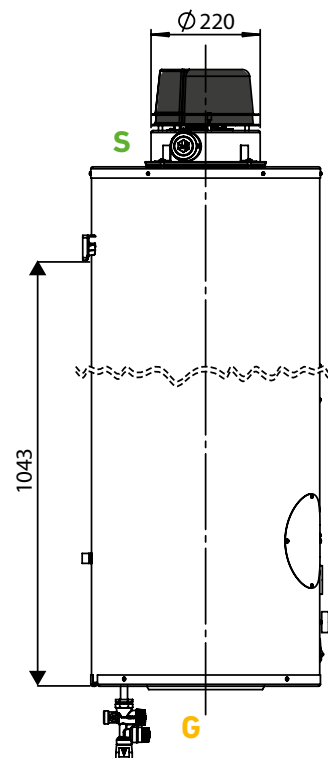


Code **SX120**
Price **€ 1.975,00**

Main characteristics

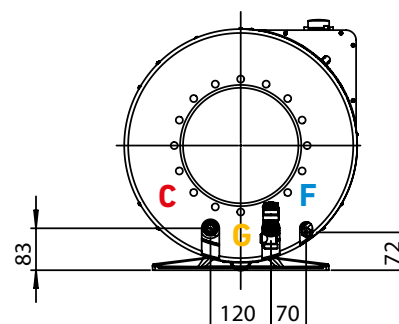
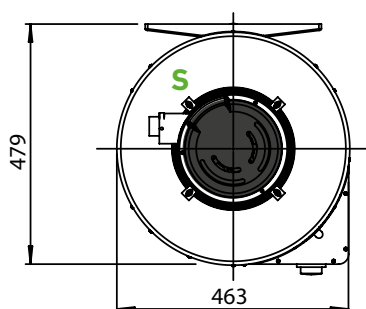
- Device operating with ATI original flue kits only
- Internal glazing
- Closed-cell polyurethane foam insulation
- Electronic ignition
- Corrosion protection with magnesium anode
- Adjustable thermostat and overheat safety thermostat
- Stainless steel multigas premix burner, natural gas ready
- LPG conversion kit included
- Adjustable flue hood
- Inspection and cleaning flange
- Various ATI flue kits available

Technical data		
Storage capacity	L	115
Nominal input (gross)	kW	5,00
Nominal output (net)	kW	4,30
Warm up time ($\Delta T= 45^{\circ}\text{C}$) .	min	84
Continuous water at 40°C	l/h	148
Draw-off capacity single withdrawal*	L	230
Methane consumption (G20)**	m ³ /h	0,52
Propane consumption (G31)**	kg/h	0,39
Max operating pressure	bar	6
Net weight	kg	56
Connections		
Cold Water Inlet	F	G 1/2" M
Hot Water Outlet	C	G 1/2" M
Recirculation	R	/
Gas Inlet	G	G 3/8"
Exhaust fumes - concentric	S	ø38/60
Exhaust fumes - split		ø38 ø60
Packaging		
Packages	n.	1
Wooden cage (l x w x h) - (weight)	cm - (kg)	/
Box (l x w x h) - (weight)	cm - (kg)	53x53x150 - (63)



*Under standard conditions: T in 15°C, T out 40°C, T storage 65°C

** Under standard conditions: T in 15°C, 1013 mbar



Ø38/60 Alu-Alu horizontal concentric flue kit

ASKITSO

Product details

**KIT content**

- Ø38 x 40 clamp with seal
- Ø60 x 75 clamp with seal
- Crownlock washer
- Ø60 x 75 seal
- Ø38 x 40 seal
- Ø60 wall cover
- Ø40 terminal
- Ø38 x 1000 M/M pipe
- Ø60 x 930 M/M pipe

For models

- SX080
- SX120

Code
ASKITSOPrice
€ 60,00**C1****Available accessories**Concentric elbow with
clamp and gasket
Ø38/60 - 90°Code
ASDC609Price
€ 40,70Concentric elbow with
clamp and gasket
Ø38/60 - 45°Code
A.S.DC604Price
€ 33,40Concentric pipe with
clamp and gasket
Ø38/60 L= 1000Code
A.S.PC100Price
€ 42,30Concentric pipe with
clamp and gasket
Ø38/60 L= 500Code
A.S.PC50Price
€ 35,60

Ø60 steel wall cover

Code
A.S.ROS60Price
€ 3,50

Ø38 flue terminal

Code
A.S.TS38Price
€ 7,00

Ø38/60 Alu-Alu Horizontal single wall flue kit

ASKITSS



Product details



KIT content

- Ø38 - 90° M/M elbow
- Ø38 x 40 clamp
- Ø60 x 45 clamp
- Ø38 x 40 seal
- Ø60 x 9,5 seal
- Ø60/60 h=240 T element
- Ø60/38 adapter
- Ø38 wall cover
- Ø60 wall cover
- Ø60 terminal
- Ø38 x 1000 M/M pipe
- Ø60 x 1000 M/F pipe

For models

- SX080
- SX120



Code ASKITSS	Price € 91,00
------------------------	-------------------------

C4

Available accessories

*See next page


















Ø38/60 Alu-Alu Horizontal single wall flue kit

ASKITSS



Product details

Available accessories

					
Ø38 - 45° Elbow with clamp and gasket	Ø38 - 90° Elbow with clamp and gasket	Ø60 - 45° Elbow with clamp and gasket	Ø60 - 90° Elbow with clamp and gasket	Ø38 H=40 Clamp with seal	Ø60 H=45 Clamp with seal
Code A.S.CV384	Code A.S.CV389	Code A.S.CV604	Code A.S.CV609	Code A.S.FG384	Code A.S.FG604
Price € 12,40	Price € 18,60	Price € 18,60	Price € 22,00	Price € 6,00	Price € 8,00
					
Ø60 H=75 Clamp with seal	Ø38 L=1000 Extension pipe with clamp and gasket	Ø38 L=500 Extension pipe with clamp and gasket	Ø60 L=1000 Extension pipe with socket	Ø60 L=500 Extension pipe with socket	Ø60 - Ø38 Reducer
Code A.S.FG607	Code A.S.PR38	Code A.S.PR385	Code A.S.PR60	Code A.S.PR605	Code A.S.RI63
Price € 6,50	Price € 23,40	Price € 16,10	Price € 26,70	Price € 22,30	Price € 13,70
					
Ø38 Steel wall cover	Ø60 Steel wall cover	Ø60 Air terminal	Ø38 Flue terminal	Ø60 Flue terminal	
Code A.S.ROS38	Code A.S.ROS60	Code A.S.TA60	Code A.S.TS38	Code A.S.TS60	
Price € 3,30	Price € 3,50	Price € 6,70	Price € 7,00	Price € 8,00	

Ø38/60 Alu-Alu vertical concentric flue kit **ASKITSV**



Product
details

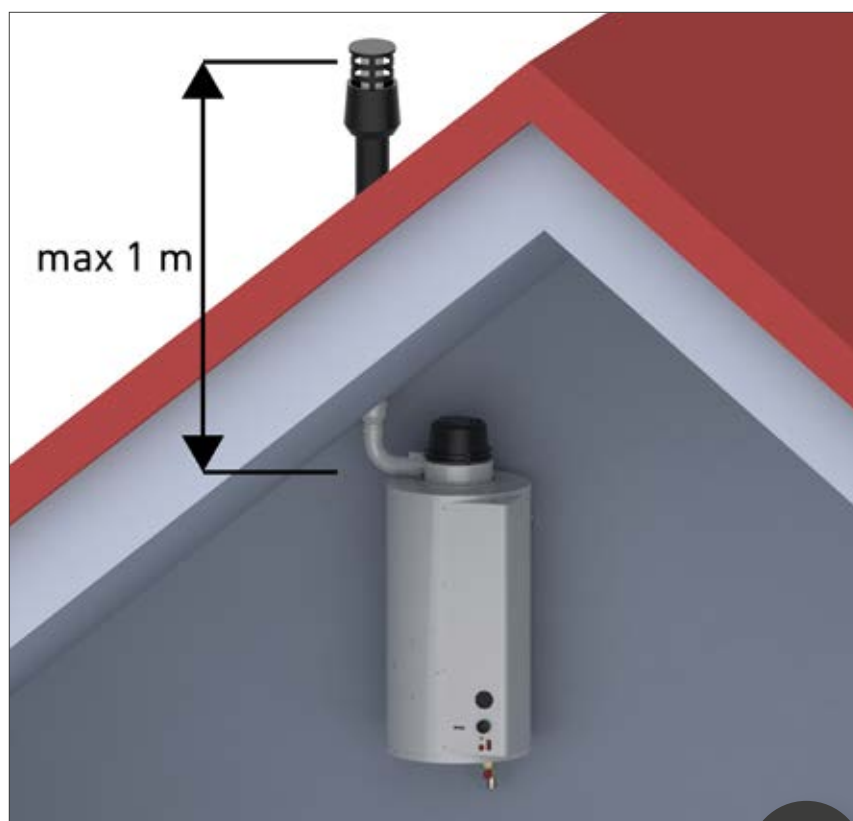


KIT content

- Ø60/Ø38 elbow
- Ø38 x 40 clamp
- Ø60 x 45 clamp
- Ø38 x 40 seal
- Ø80M / Ø100F increase adapter
- Ø60/38 reducing adapter
- Ø60M / Ø80F increase adapter
- Ø60/100 terminal
- Ø38 X 250 M/M pipe

For models

- SX080
- SX120



Code
ASKITSS

Price
€ 164,00

C3

Sealed combustion chamber gas fired storage water heater

SECURITY SX160



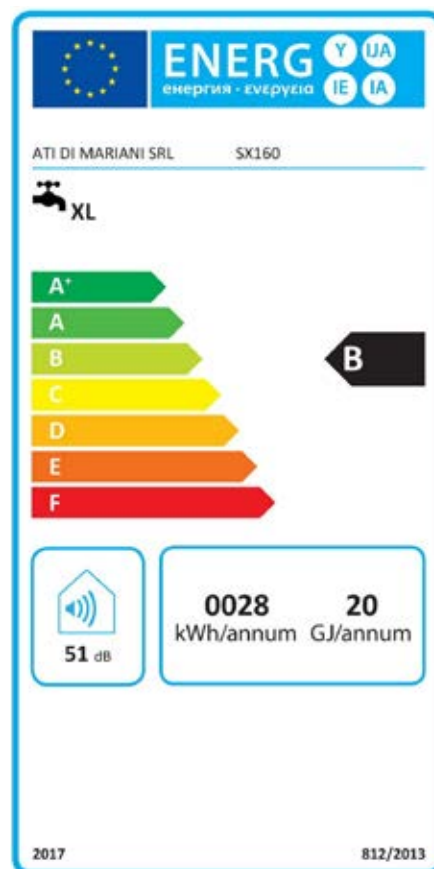
Product details



ErP Ready



Low Emissions



Methane

Code **SX160**

Price € **3.150,00**

Propane

Code **SX160P**

Price € **3.165,00**



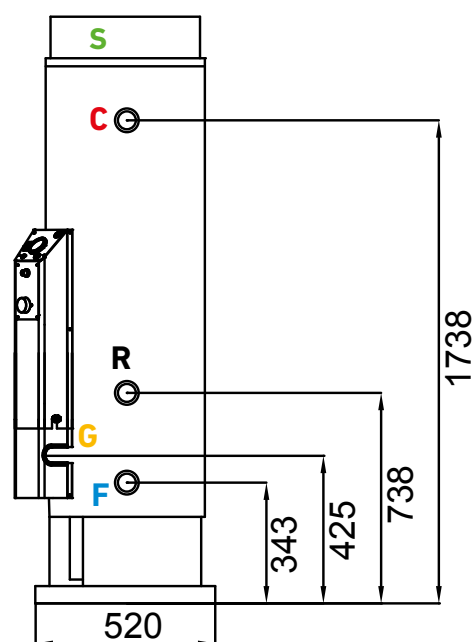
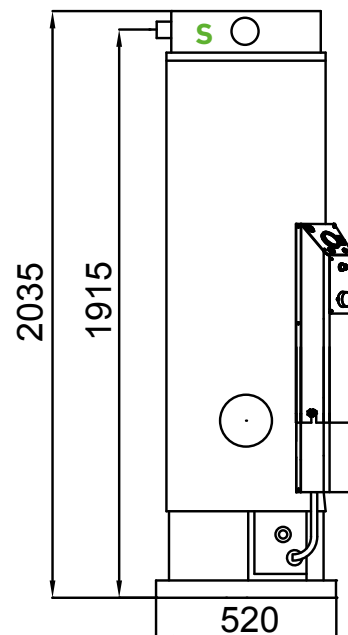
Main characteristics

- Device operating with ATI original flue kits only
- Internal glazing
- Closed-cell polyurethane foam insulation
- Electronic ignition
- Corrosion protection with magnesium anode
- Adjustable thermostat and overheat safety thermostat
- Stainless steel multigas burner, natural gas or propane ready
- Flue safety pressure switch
- Overpressure safety valve
- Inspection and cleaning flange
- Various ATI flue kits available

Technical data		
Storage capacity	L	160
Nominal input (gross)	kW	13,00
Nominal output (net)	kW	11,96
Warm up time ($\Delta T = 45^{\circ}\text{C}$)	min	42
Continuous water at 40°C	l/h	411
Draw-off capacity single withdrawal*	L	320
Methane consumption (G20)**	m ³ /h	1,40
Propane consumption (G31)**	kg/h	1,00
Max operating pressure	bar	6
Net weight	kg	120
Connections		
Cold Water Inlet	F	G 3/4"
Hot Water Outlet	C	G 3/4"
Recirculation	R	G 3/4"
Gas Inlet	G	G 1/2"
Exhaust fumes - concentric	S	$\varnothing 60/100, \varnothing 80/125$
Exhaust fumes - split		$\varnothing 80 \varnothing 80$
Packaging		
Packages	n.	2
Wooden cage (l x w x h) - (weight)	cm - (kg)	58x58x185 - (132)
Box (l x w x h) - (weight)	cm - (kg)	46x46x23 - (6)

*Under standard conditions: T in 15°C , T out 40°C , T storage 65°C

** Under standard conditions: T in 15°C , 1013 mbar



Sealed combustion chamber gas fired storage water heater

SECURITY SX220



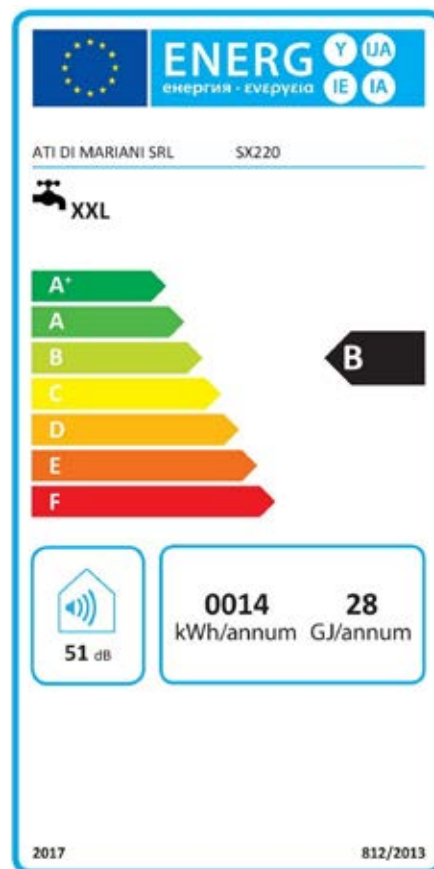
Product details



ErP Ready



Low Emissions



Methane

Code **SX220**

Price € **3.675,00**

Propane

Code **SX220P**

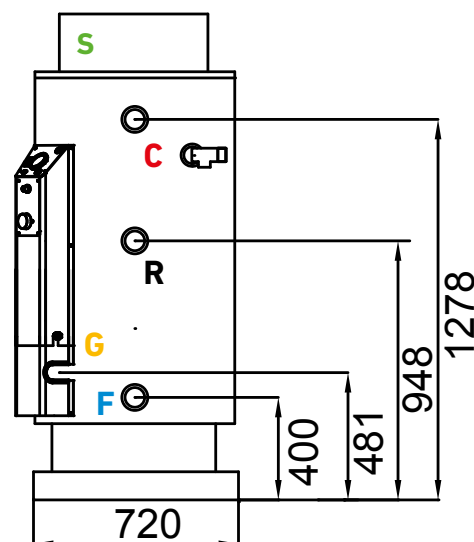
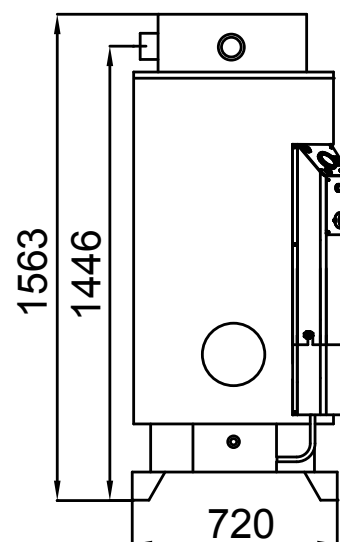
Price € **3.695,00**



Main characteristics

- Device operating with ATI original flue kits only
- Internal glazing
- Closed-cell polyurethane foam insulation
- Electronic ignition
- Corrosion protection with magnesium anode
- Adjustable thermostat and overheat safety thermostat
- Stainless steel multigas burner, natural gas or propane ready
- Flue safety pressure switch
- Overpressure safety valve
- Inspection and cleaning flange
- Various ATI flue kits available

Technical data		
Storage capacity	L	220
Nominal input (gross)	kW	22,00
Nominal output (net)	kW	20,02
Warm up time ($\Delta T = 45^{\circ}\text{C}$)	min	35
Continuous water at 40°C	l/h	689
Draw-off capacity single withdrawal*	L	440
Methane consumption (G20)**	m ³ /h	2,30
Propane consumption (G31)**	kg/h	1,70
Max operating pressure	bar	6
Net weight	kg	175
Connections		
Cold Water Inlet	F	G 1" 1/4
Hot Water Outlet	C	G 1" 1/4
Recirculation	R	G 1" 1/4
Gas Inlet	G	G 1/2"
Exhaust fumes - concentric	S	$\varnothing 60/100, \varnothing 80/125$
Exhaust fumes - split		$\varnothing 80 \varnothing 80$
Packaging		
Packages	n.	2
Wooden cage (l x w x h) - (weight)	cm - (kg)	78x78x140 - (183)
Box (l x w x h) - (weight)	cm - (kg)	67x67x26 - (9)



*Under standard conditions: T in 15°C , T out 40°C , T storage 65°C

** Under standard conditions: T in 15°C , 1013 mbar

Sealed combustion chamber gas fired storage water heater

SECURITY SX300



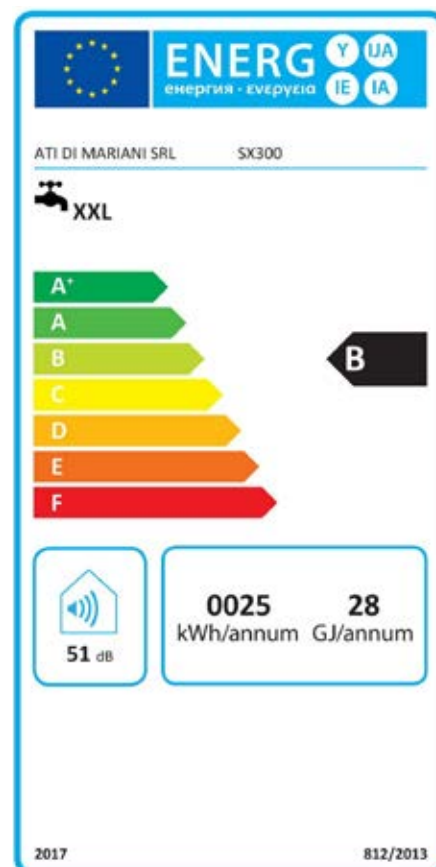
Product details



ErP Ready



Low Emissions



Methane

Code **SX300**

Price € **4.160,00**

Propane

Code **SX300P**

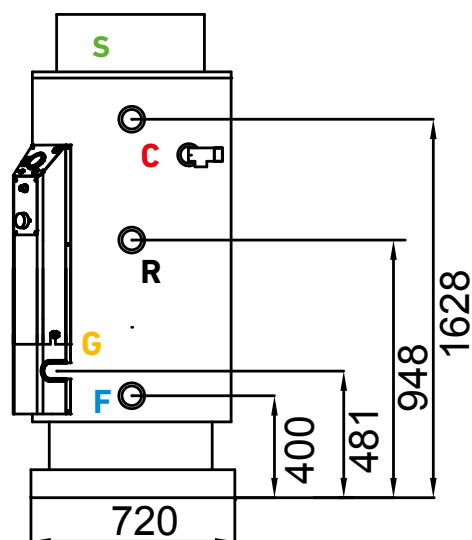
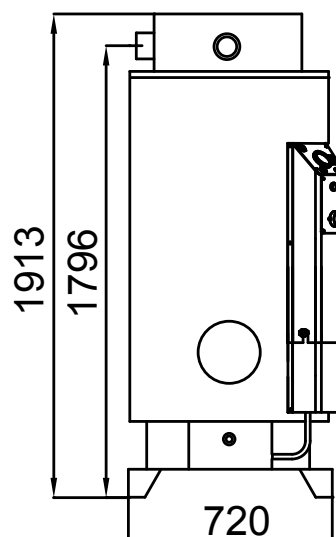
Price € **4.175,00**



Main characteristics

- Device operating with ATI original flue kits only
- Internal glazing
- Closed-cell polyurethane foam insulation
- Electronic ignition
- Corrosion protection with magnesium anode
- Adjustable thermostat and overheat safety thermostat
- Stainless steel multigas burner, natural gas or propane ready
- Flue safety pressure switch
- Overpressure safety valve
- Inspection and cleaning flange
- Various ATI flue kits available

Technical data		
Storage capacity	L	300
Nominal input (gross)	kW	23,00
Nominal output (net)	kW	21,05
Warm up time ($\Delta T = 45^{\circ}\text{C}$)	min	45
Continuous water at 40°C	l/h	724
Draw-off capacity single withdrawal*	L	600
Methane consumption (G20)**	m ³ /h	2,40
Propane consumption (G31)**	kg/h	1,80
Max operating pressure	bar	6
Net weight	kg	208
Connections		
Cold Water Inlet	F	G 1" 1/4
Hot Water Outlet	C	G 1" 1/4
Recirculation	R	G 1" 1/4
Gas Inlet	G	G 1/2"
Exhaust fumes - concentric	S	$\varnothing 60/100, \varnothing 80/125$
Exhaust fumes - split		$\varnothing 80 \varnothing 80$
Packaging		
Packages	n.	2
Wooden cage (l x w x h) - (weight)	cm - (kg)	78x78x176 - (219)
Box (l x w x h) - (weight)	cm - (kg)	67x67x26 - (9)

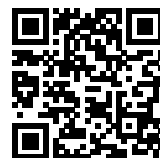


*Under standard conditions: T in 15°C , T out 40°C , T storage 65°C

** Under standard conditions: T in 15°C , 1013 mbar

Sealed combustion chamber gas fired storage water heater

SECURITY SX400



Product details



ErP Ready



Low Emissions

Methane

Code **SX400**

Price € **4.680,00**

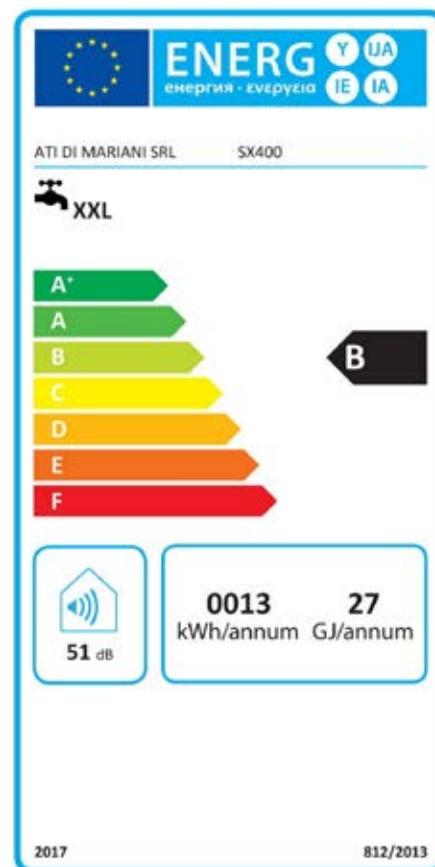
Propane

Code **SX400P**

Price € **4.695,00**



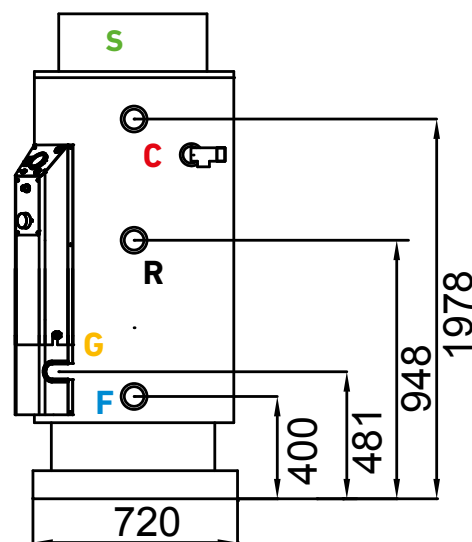
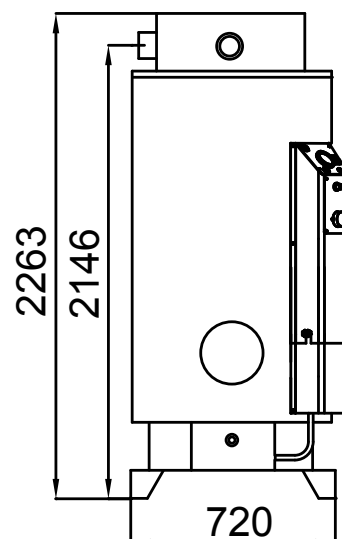
Exhaust kit from page. 54



Main characteristics

- Device operating with ATI original flue kits only
- Internal glazing
- Closed-cell polyurethane foam insulation
- Electronic ignition
- Corrosion protection with magnesium anode
- Adjustable thermostat and overheat safety thermostat
- Stainless steel multigas burner, natural gas or propane ready
- Flue safety pressure switch
- Overpressure safety valve
- Inspection and cleaning flange
- Various ATI flue kits available

Technical data		
Storage capacity	L	400
Nominal input (gross)	kW	23,00
Nominal output (net)	kW	21,05
Warm up time ($\Delta T = 45^{\circ}\text{C}$)	min	60
Continuous water at 40°C	l/h	724
Draw-off capacity single withdrawal*	L	800
Methane consumption (G20)**	m ³ /h	2,40
Propane consumption (G31)**	kg/h	1,80
Max operating pressure	bar	6
Net weight	kg	245
Connections		
Cold Water Inlet	F	G 1" 1/4
Hot Water Outlet	C	G 1" 1/4
Recirculation	R	G 1" 1/4
Gas Inlet	G	G 1/2"
Exhaust fumes - concentric	S	$\varnothing 60/100, \varnothing 80/125$
Exhaust fumes - split		$\varnothing 80 \varnothing 80$
Packaging		
Packages	n.	2
Wooden cage (l x w x h) - (weight)	cm - (kg)	78x78x211 - (263)
Box (l x w x h) - (weight)	cm - (kg)	67x67x26 - (9)



*Under standard conditions: T in 15°C , T out 40°C , T storage 65°C

** Under standard conditions: T in 15°C , 1013 mbar

Sealed combustion chamber gas fired storage water heater

SECURITY SX600



Product details



ErP Ready



Low Emissions

Methane

Code **SX600**

Price € **5.725,00**

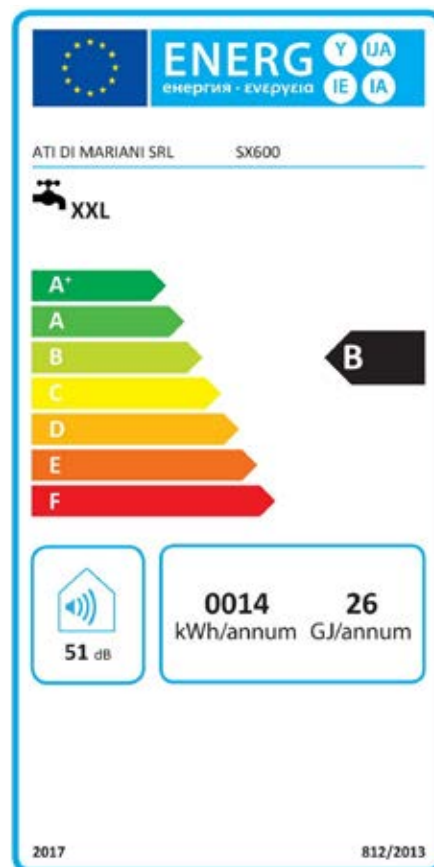
Propane

Code **SX600P**

Price € **5.740,00**



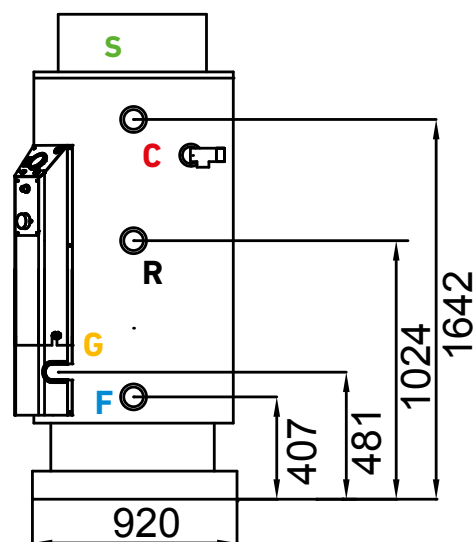
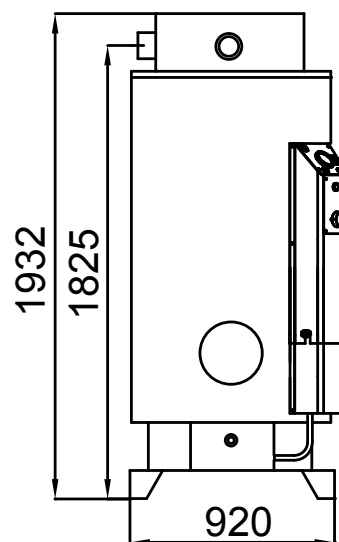
Exhaust kit from page. 54



Main characteristics

- Device operating with ATI original flue kits only
- Internal glazing
- Closed-cell polyurethane foam insulation
- Electronic ignition
- Corrosion protection with magnesium anode
- Adjustable thermostat and overheat safety thermostat
- Stainless steel multigas burner, natural gas or propane ready
- Flue safety pressure switch
- Overpressure safety valve
- Inspection and cleaning flange
- Various ATI flue kits available

Technical data		
Storage capacity	L	560
Nominal input (gross)	kW	23,00
Nominal output (net)	kW	21,05
Warm up time ($\Delta T = 45^{\circ}\text{C}$)	min	84
Continuous water at 40°C	l/h	724
Draw-off capacity single withdrawal*	L	1120
Methane consumption (G20)**	m ³ /h	2,40
Propane consumption (G31)**	kg/h	1,80
Max operating pressure	bar	6
Net weight	kg	260
Connections		
Cold Water Inlet	F	G 1" 1/4
Hot Water Outlet	C	G 1" 1/4
Recirculation	R	G 1" 1/4
Gas Inlet	G	G 1/2"
Exhaust fumes - concentric	S	$\varnothing 60/100, \varnothing 80/125$
Exhaust fumes - split		$\varnothing 80 \varnothing 80$
Packaging		
Packages	n.	2
Wooden cage (l x w x h) - (weight)	cm - (kg)	98x98x180 - (296)
Box (l x w x h) - (weight)	cm - (kg)	67x67x26 - (9)



*Under standard conditions: T in 15°C , T out 40°C , T storage 65°C

** Under standard conditions: T in 15°C , 1013 mbar

Sealed combustion chamber gas fired storage water heater

SECURITY SX800



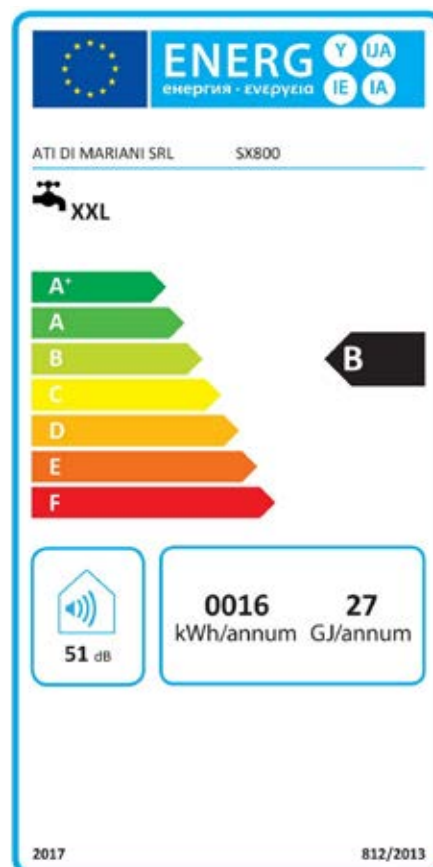
Product details



ErP Ready



Low Emissions



Methane

Code **SX800**

Price € **6.875,00**

Propane

Code **SX800P**

price € **6.890,00**

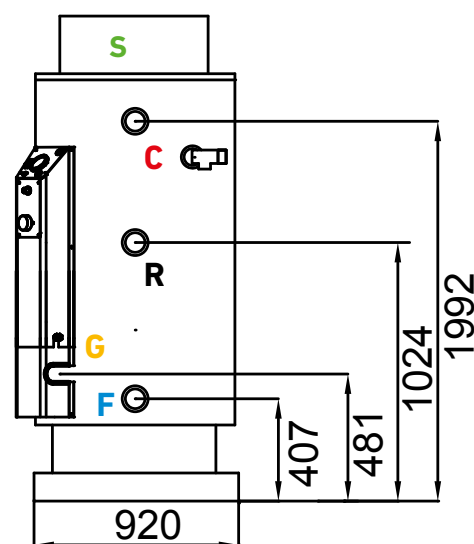
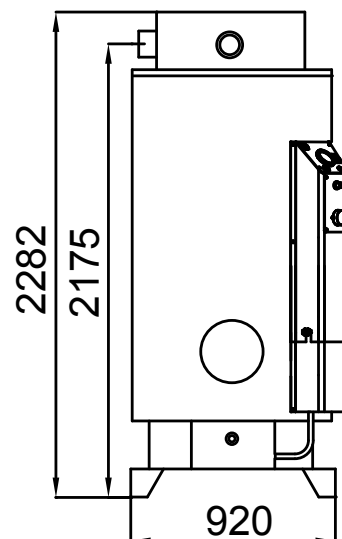


Exhaust kit from page. 54

Main characteristics

- Device operating with ATI original flue kits only
- Internal glazing
- Closed-cell polyurethane foam insulation
- Electronic ignition
- Corrosion protection with magnesium anode
- Adjustable thermostat and overheat safety thermostat
- Stainless steel multigas burner, natural gas or propane ready
- Flue safety pressure switch
- Overpressure safety valve
- Inspection and cleaning flange
- Various ATI flue kits available

Technical data		
Storage capacity	L	740
Nominal input (gross)	kW	23,00
Nominal output (net)	kW	21,05
Warm up time ($\Delta T = 45^{\circ}\text{C}$)	min	110
Continuous water at 40°C	l/h	724
Draw-off capacity single withdrawal*	L	1480
Methane consumption (G20)**	m ³ /h	2,40
Propane consumption (G31)**	kg/h	1,80
Max operating pressure	bar	6
Net weight	kg	303
Connections		
Cold Water Inlet	F	G 1" 1/4
Hot Water Outlet	C	G 1" 1/4
Recirculation	R	G 1" 1/4
Gas Inlet	G	G 1/2"
Exhaust fumes - concentric	S	$\varnothing 60/100, \varnothing 80/125$
Exhaust fumes - split		$\varnothing 80 \varnothing 80$
Packaging		
Packages	n.	2
Wooden cage (l x w x h) - (weight)	cm - (kg)	98x98x211 - (319)
Box (l x w x h) - (weight)	cm - (kg)	67x67x26 - (9)



*Under standard conditions: T in 15°C , T out 40°C , T storage 65°C

** Under standard conditions: T in 15°C , 1013 mbar

Ø60/100 Aluminium horizontal concentric flue kit **AKIT21**



Product details

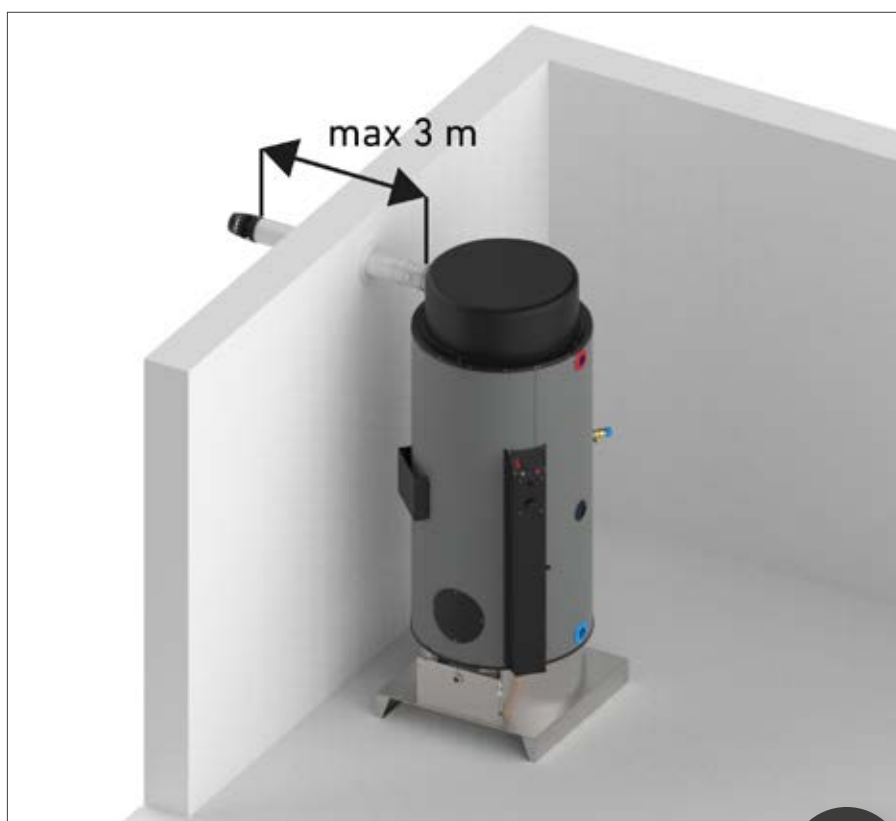


KIT content

- Ø100 x 640 M/M pipe
- Ø60 x 700 M/M pipe
- Ø60 seal
- Ø100 seal
- Hood seal
- Ø100 silicone wall cover
- Ø60/100 centering spring
- Ø60/100 intake / exhaust terminal
- Air regulation diaphragms

For models

- SX160
- SX220
- SX300
- SX400
- SX600
- SX800



Code
AKIT21

Price
€ 91,20

C1

Available accessories



Male/Female
concentric pipe
Ø60/100 L=1000

Code
AIPC10

Price
€ 49,00



Male/Female
concentric pipe
Ø60/100 L=500

Code
AIPC5

Price
€ 40,00



Male/Female
concentric elbow
Ø60/100 a 45°

Code
AICC45

Price
€ 36,70



Male/Female
concentric elbow
Ø60/100 a 90°

Code
AICC90

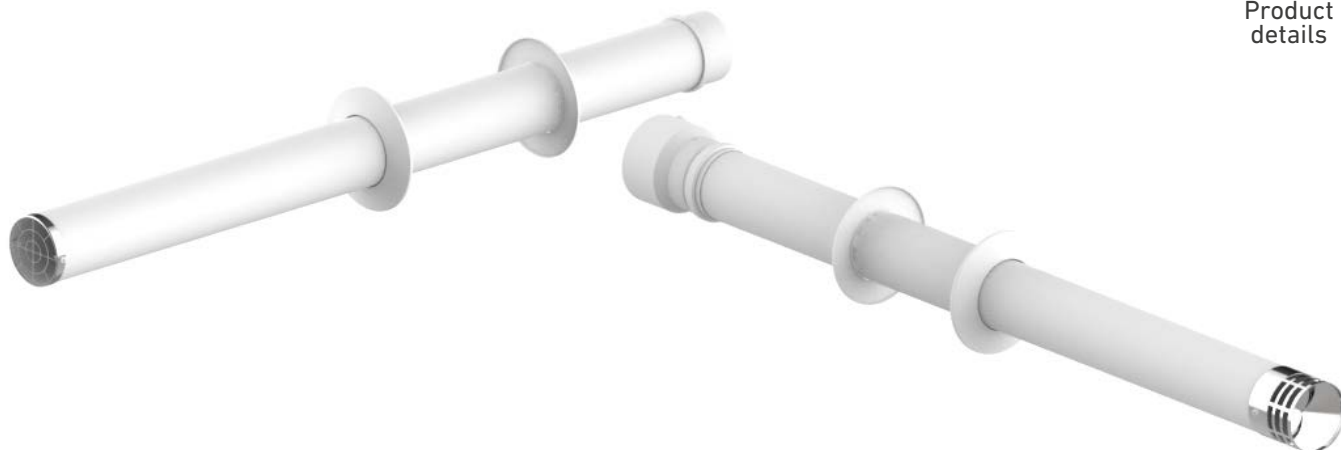
Price
€ 40,00

Ø80/80 Aluminium horizontal flue kit

AKIT22



Product details

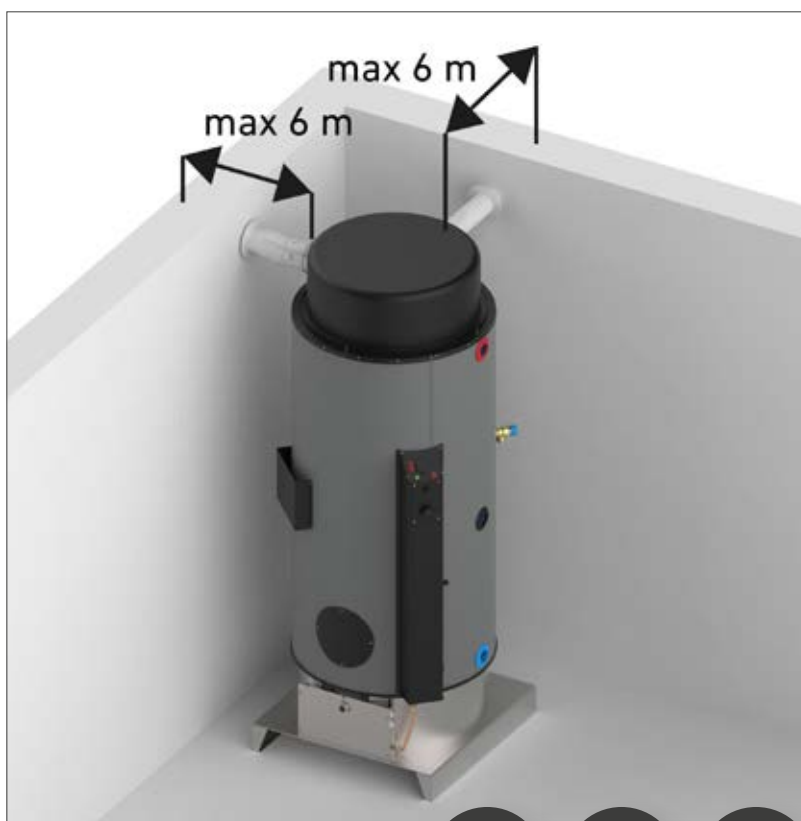


KIT content

- Ø80 x 100 M/M pipe
- Ø100/80 reduction
- Ø80 seal
- Ø80 air intake terminal
- Ø80 exhaust terminal
- Hood seal
- Ø80 silicone wall cover
- Ø80 x 60 pipe with fumes sampling
- Air regulation diaphragms

For models

- SX160
- SX220
- SX300
- SX400
- SX600
- SX800



Code
AKIT22

Price
€ 145,00

C4

C5

C8

Available accessories



Extension pipe
Ø80 L=250



Extension pipe
Ø80 L=500



Extension pipe
Ø80 L=1000



Male/Female elbow
Ø80 a 45°



Male/Female elbow
Ø80 a 90°

Code
A.I.PR802

Price
€ 25,60

Code
A.I.PR805

Price
€ 28,90

Code
A.I.PR80

Price
€ 37,90

Code
A.I.CV804

Price
€ 30,10

Code
A.I.CV809

Price
€ 34,00

Ø60/100 Alu-Alu vertical concentric flue kit

AKIT23



Product
details

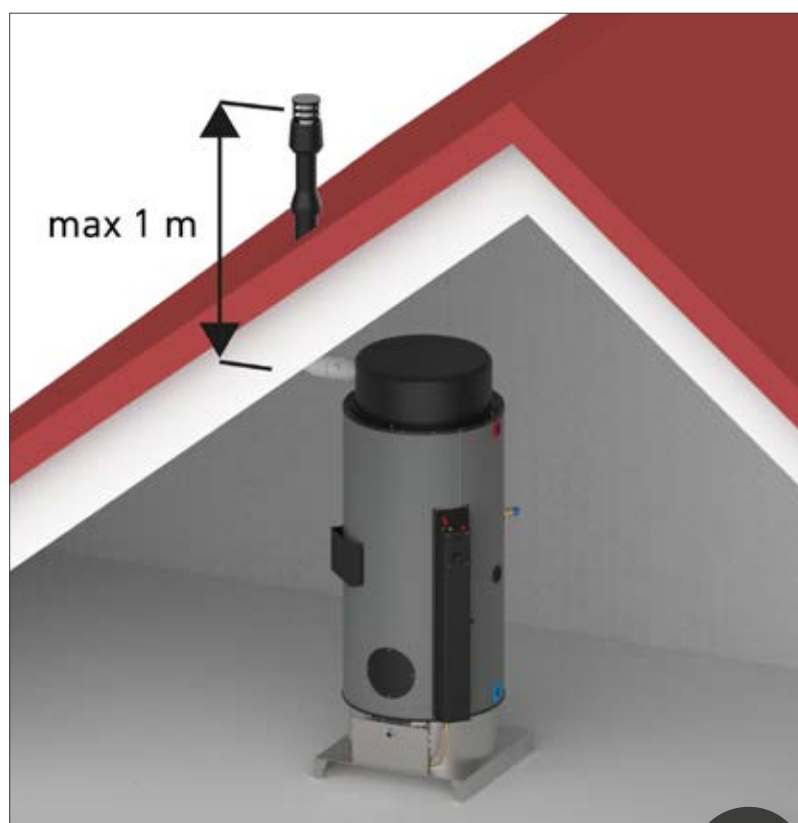


KIT content

- Ø60 90° elbow
- Ø100 90° elbow
- Ø60 seal
- Ø100 seal
- Ø100 x 1000 M/M pipe
- Ø60 x 1000 M/M pipe
- Intake / Exhaust Terminal

For models

- SX160
- SX220
- SX300
- SX400
- SX600
- SX800



Code
AKIT23

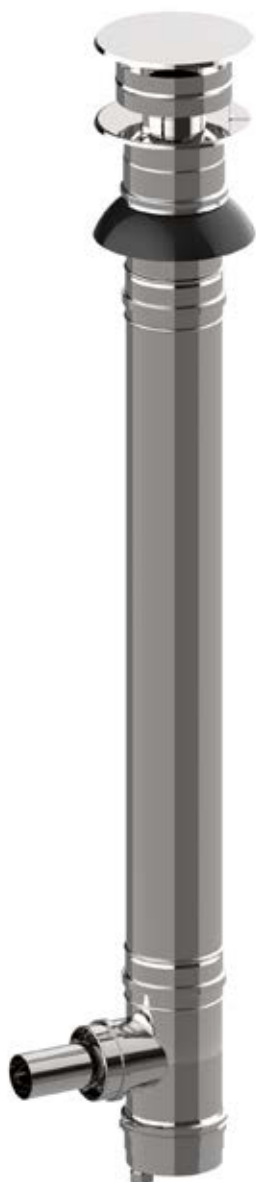
Price
€ 175,90

C3

Ø80/125 St. Steel - St. Steel vertical concentric flue kit AKIT24



Product details

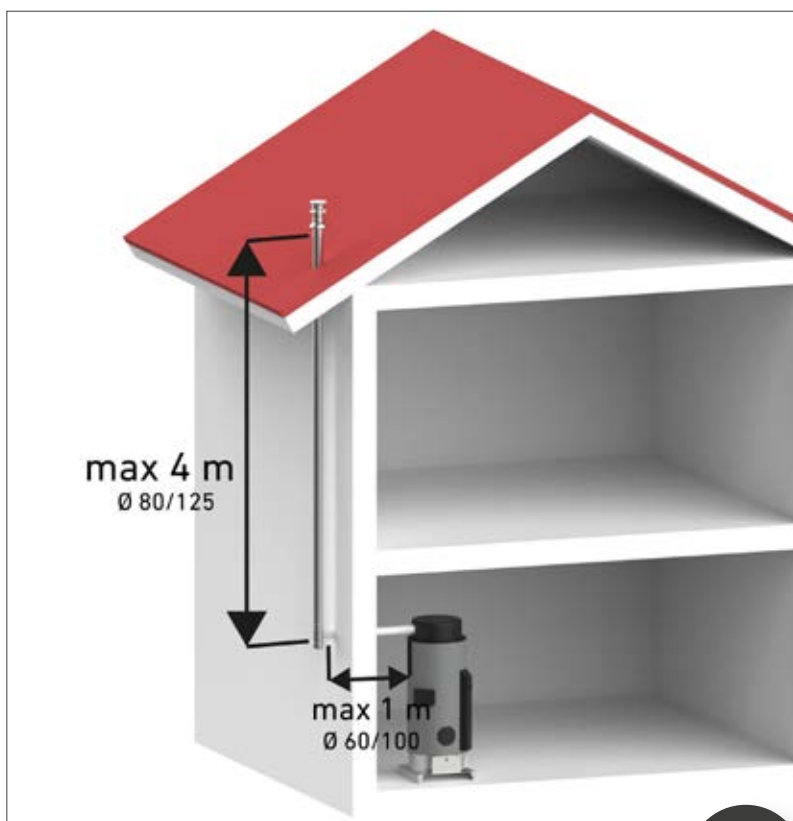


KIT content

- Ø80/125 T element with adapter
- Plug with drain
- Ø80 x 1000 M/M pipe
- Ø125 x 1000 M/M pipe
- EPDM Ø80 seal
- EPDM Ø125 seal
- Ø80/125 centering ring
- Ø125 clamp
- Intake / Exhaust Terminal
- Air regulation diaphragms

For models

- SX160
- SX220
- SX300
- SX400
- SX600
- SX800



C3

Code **AKIT24** Price **€ 230,00**

Available accessories

<p>*Indoor usage</p> <p>Ø60/100 L=500 Alu-Alu Male/Female concentric pipe</p>	<p>*Indoor usage</p> <p>Ø60/100 L=1000 Alu-Alu Male/Female concentric pipe</p>	<p>Stainless steel/stainless steel concentric elbow Ø80/125 - 45°</p>	<p>Ø80/125 L=500 Concentric stainless steel/stainless steel extension pipe</p>	<p>Ø80/125 L=1000 Concentric stainless steel/stainless steel extension pipe</p>	<p>Ø125 Stainless steel adjustable wall bracket</p>
Code AIPC05	Code AIPC10	Code AKIT24-01	Code AKIT24-02	Code AKIT24-03	Code AKIT24-04
Price € 40,00	Price € 49,00	Price € 59,00	Price € 45,70	Price € 72,40	Price € 23,40

Ø80 Stainless Steel single wall horizontal flue kit

AKIT25



Product details



KIT content

- Ø80-Ø60 reduce adapter
- Ø80 x 100 M/F pipe
- Ø80 seal
- Exhaust terminal
- Flange with air intake grid
- Air regulation diaphragms

For models

- SX160
- SX220
- SX300
- SX400
- SX600
- SX800



Code AKIT25	Price € 133,50
-----------------------	-------------------

B5

Available accessories



Extension pipe Ø80
L=500 Stainless steel

Code
AKIT25-01

Price
€ 17,80



Extension pipe Ø80
L=1000 Stainless steel

Code
AKIT25-02

Price
€ 26,70



Elbow Ø80 45°
Stainless steel

Code
AKIT25-03

Price
€ 21,10



Elbow Ø80 90°
Stainless steel

Code
AKIT25-04

Price
€ 25,60

Ø80/130 St. Steel-Alu double wall vertical flue kit

AKIT26



Product details



KIT content

- Ø80/130 T element with adapter
- Ø60-Ø80 increase adapter
- Ø80 plug with drain
- Ø80 x 1000 M/F pipe
- Ø130 x 1000 M/M pipe
- Ø80 seal
- Exhaust terminal
- Flange with air intake grid
- Air regulation diaphragms

For models

- SX160
- SX220
- SX300
- SX400
- SX600
- SX800



Code
AKIT26

Price
€ 230,00

B5

Available accessories



Concentric extension pipe
Ø80/130 L=500 Stainless
Steel/Aluminum

Code
AKIT26-01

Price
€ 50,80



Concentric extension pipe
Ø80/130 L=1000 Stainless
Steel/Aluminum

Code
AKIT26-02

Price
€ 80,80



Concentric elbow
Ø80/130 45° Stainless
Steel/Aluminum

Code
AKIT26-03

Price
€ 65,20



Adjustable wall bracket
Ø130 Stainless Steel

Code
AKIT26-04

Price
€ 23,40

Natural flue draft gas fired storage water heater



Product details

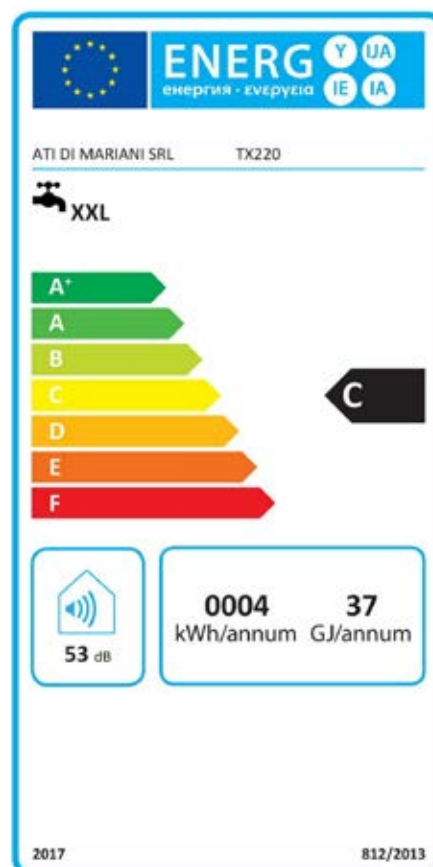
TX220



ErP Ready



Low Emissions



Methane

Code **TX220**

Price **€ 3.000,00**

Propane

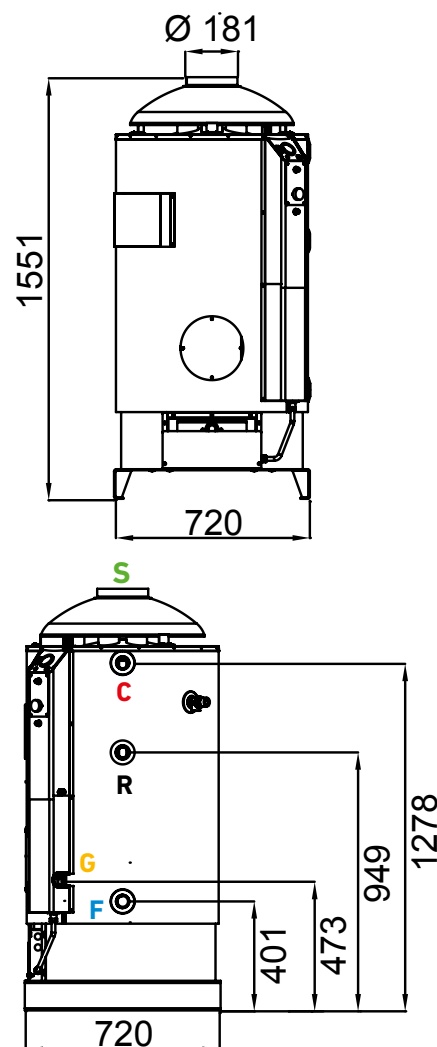
Code **TX220P**

Price **€ 3.020,00**

Main characteristics

- Internal glazing
- Closed-cell polyurethane foam insulation
- Electronic ignition
- Corrosion protection with magnesium anode
- Adjustable thermostat and overheat safety thermostat
- Stainless steel multigas burner, natural gas or propane ready
- Flue gas safety thermostat
- Overpressure safety valve
- Inspection and cleaning flange

Technical data		
Storage capacity	L	220
Nominal input (gross)	kW	23,00
Nominal output (net)	kW	19,78
Warm up time ($\Delta T = 45^{\circ}\text{C}$)	min	35
Continuous water at 40°C	l/h	680
Draw-off capacity single withdrawal*	L	440
Methane consumption (G20)**	m ³ /h	2,40
Propane consumption (G31)**	kg/h	1,80
Max operating pressure	bar	6
Net weight	kg	173
Connections		
Cold Water Inlet	F	G 1" 1/4
Hot Water Outlet	C	G 1" 1/4
Recirculation	R	G 1" 1/4
Gas Inlet	G	G 1/2"
Exhaust fumes - concentric	S	/
Exhaust fumes - split		$\varnothing 186$
Packaging		
Packages	n.	2
Wooden cage (l x w x h) - (weight)	cm - (kg)	78x78x141 - (184)
Box (l x w x h) - (weight)	cm - (kg)	68x68x250 - (6)



*Under standard conditions: T in 15°C , T out 40°C , T storage 65°C

** Under standard conditions: T in 15°C , 1013 mbar

Natural flue draft gas fired storage water heater



Product details

TX300



ErP Ready



Low Emissions

Methane

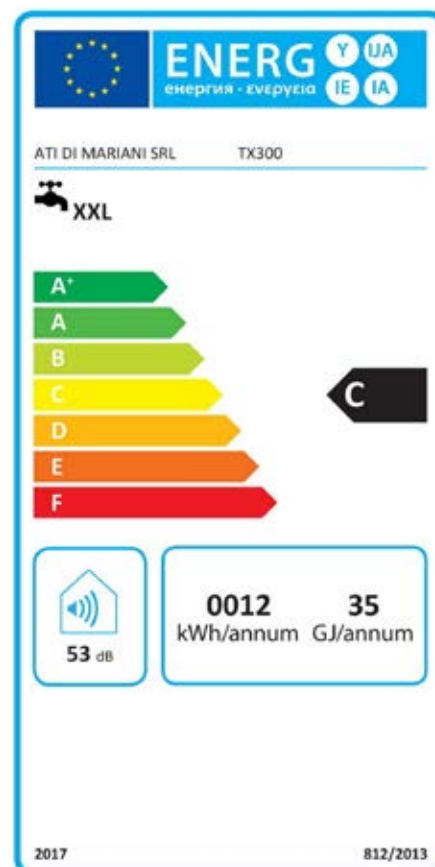
Code **TX300**

Price **€ 3.460,00**

Propane

Code **TX300P**

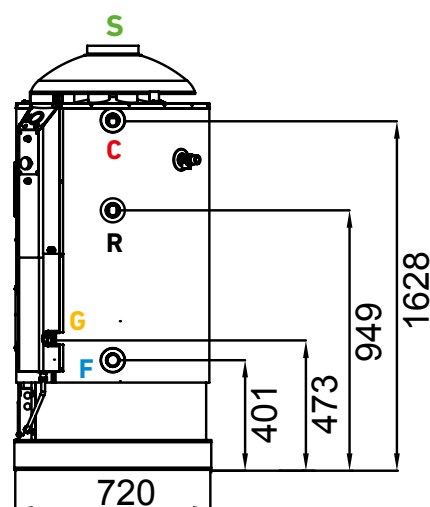
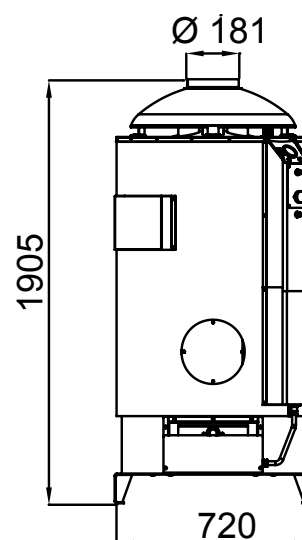
Price **€ 3.480,00**



Main characteristics

- Internal glazing
- Closed-cell polyurethane foam insulation
- Electronic ignition
- Corrosion protection with magnesium anode
- Adjustable thermostat and overheat safety thermostat
- Stainless steel multigas burner, natural gas or propane ready
- Flue gas safety thermostat
- Overpressure safety valve
- Inspection and cleaning flange

Technical data		
Storage capacity	L	300
Nominal input (gross)	kW	24,00
Nominal output (net)	kW	20,88
Warm up time ($\Delta T = 45^{\circ}\text{C}$)	min	45
Continuous water at 40°C	l/h	718
Draw-off capacity single withdrawal*	L	600
Methane consumption (G20)**	m ³ /h	2,50
Propane consumption (G31)**	kg/h	1,90
Max operating pressure	bar	6
Net weight	kg	206
Connections		
Cold Water Inlet	F	G 1" 1/4
Hot Water Outlet	C	G 1" 1/4
Recirculation	R	G 1" 1/4
Gas Inlet	G	G 1/2"
Exhaust fumes - concentric	S	/
Exhaust fumes - split		$\varnothing 186$
Packaging		
Packages	n.	2
Wooden cage (l x w x h) - (weight)	cm - (kg)	78x78x176 - (220)
Box (l x w x h) - (weight)	cm - (kg)	68x68x250 - (6)



*Under standard conditions: T in 15°C , T out 40°C , T storage 65°C

** Under standard conditions: T in 15°C , 1013 mbar

Natural flue draft gas fired storage water heater



Product details

TX400



ErP Ready



Low Emissions

Methane

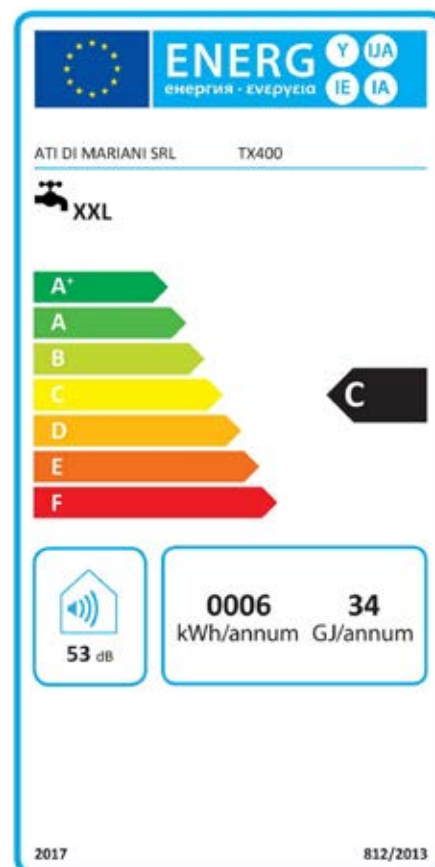
Code **TX400**

Price **€ 4.050,00**

Propane

Code **TX400P**

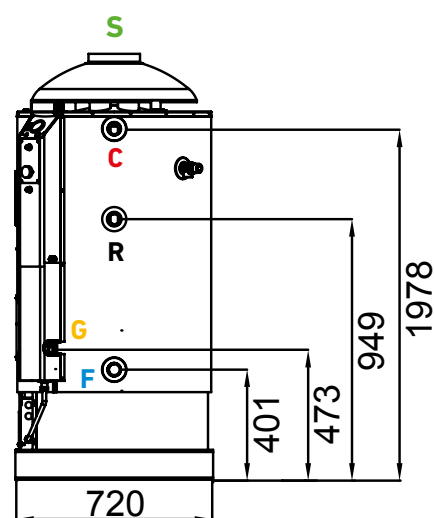
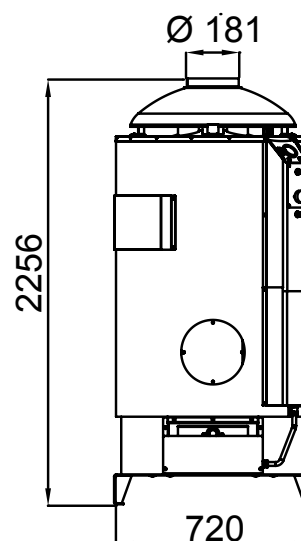
Price **€ 4.070,00**



Main characteristics

- Internal glazing
- Closed-cell polyurethane foam insulation
- Electronic ignition
- Corrosion protection with magnesium anode
- Adjustable thermostat and overheat safety thermostat
- Stainless steel multigas burner, natural gas or propane ready
- Flue gas safety thermostat
- Overpressure safety valve
- Inspection and cleaning flange

Technical data		
Storage capacity	L	388
Nominal input (gross)	kW	24,00
Nominal output (net)	kW	20,88
Warm up time ($\Delta T = 45^{\circ}\text{C}$)	min	58
Continuous water at 40°C	l/h	718
Draw-off capacity single withdrawal*	L	776
Methane consumption (G20)**	m ³ /h	2,50
Propane consumption (G31)**	kg/h	1,90
Max operating pressure	bar	6
Net weight	kg	225
Connections		
Cold Water Inlet	F	G 1" 1/4
Hot Water Outlet	C	G 1" 1/4
Recirculation	R	G 1" 1/4
Gas Inlet	G	G 1/2"
Exhaust fumes - concentric	S	/
Exhaust fumes - split		$\varnothing 186$
Packaging		
Packages	n.	2
Wooden cage (l x w x h) - (weight)	cm - (kg)	78x78x211 - (253)
Box (l x w x h) - (weight)	cm - (kg)	68x68x250 - (6)



*Under standard conditions: T in 15°C , T out 40°C , T storage 65°C

** Under standard conditions: T in 15°C , 1013 mbar

Natural flue draft gas fired storage water heater



Product details

TX600



ErP Ready



Low Emissions



Methane

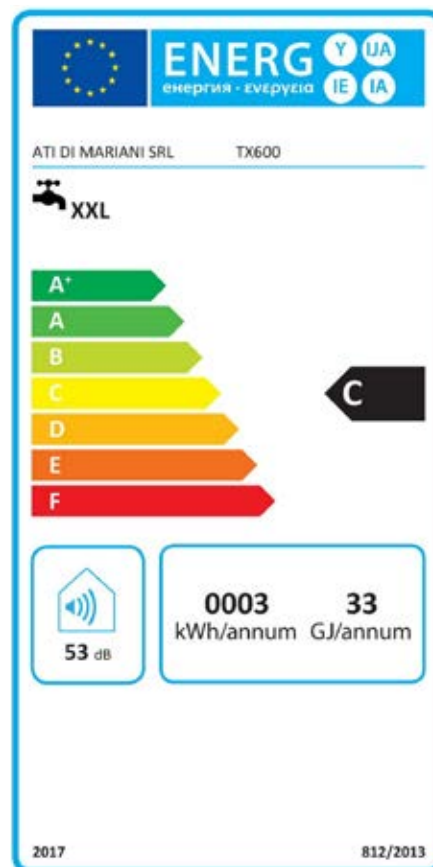
Code **TX600**

Price **€ 5.000,00**

Propane

Code **TX600P**

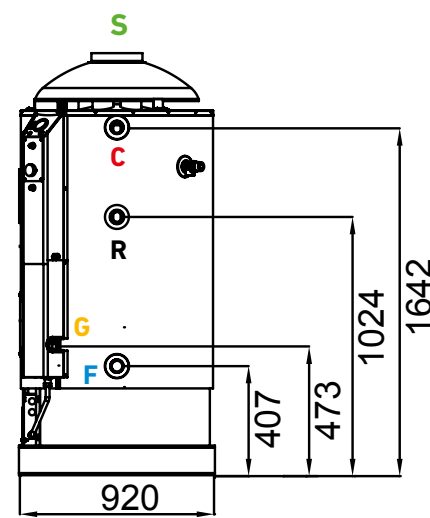
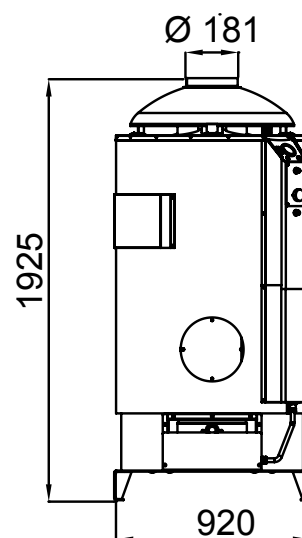
Price **€ 5.020,00**



Main characteristics

- Internal glazing
- Closed-cell polyurethane foam insulation
- Electronic ignition
- Corrosion protection with magnesium anode
- Adjustable thermostat and overheat safety thermostat
- Stainless steel multigas burner, natural gas or propane ready
- Flue gas safety thermostat
- Overpressure safety valve
- Inspection and cleaning flange

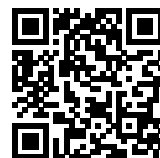
Technical data		
Storage capacity	L	580
Nominal input (gross)	kW	27,00
Nominal output (net)	kW	23,63
Warm up time ($\Delta T= 45^{\circ}\text{C}$) .	min	77
Continuous water at 40°C	l/h	813
Draw-off capacity single withdrawal*	L	1160
Methane consumption (G20)**	m ³ /h	2,80
Propane consumption (G31)**	kg/h	2,10
Max operating pressure	bar	6
Net weight	kg	246
Connections		
Cold Water Inlet	F	G 1" 1/4
Hot Water Outlet	C	G 1" 1/4
Recirculation	R	G 1" 1/4
Gas Inlet	G	G 1/2"
Exhaust fumes - concentric	S	/
Exhaust fumes - split		$\varnothing 186$
Packaging		
Packages	n.	2
Wooden cage (l x w x h) - (weight)	cm - (kg)	98x98x180 - (285)
Box (l x w x h) - (weight)	cm - (kg)	68x68x250 - (6)



*Under standard conditions: T in 15°C, T out 40°C, T storage 65°C

** Under standard conditions: T in 15°C, 1013 mbar

Natural flue draft gas fired storage water heater



Product details

TX800



ErP Ready



Low Emissions

Methane

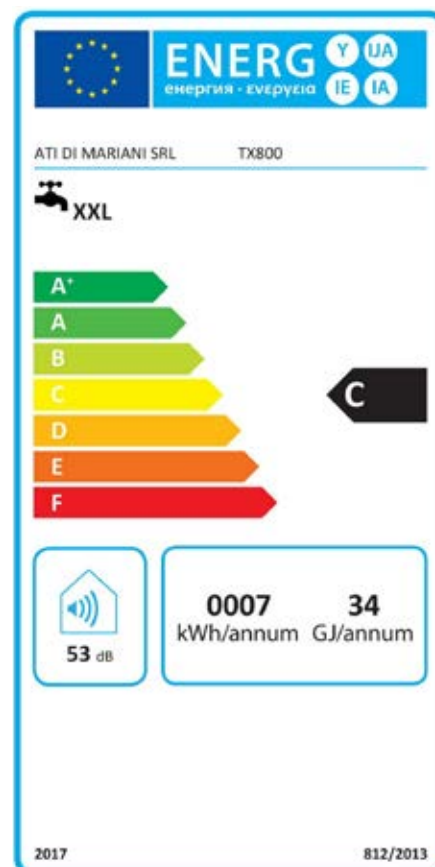
Code **TX800**

Price **€ 5.550,00**

Propane

Code **TX800P**

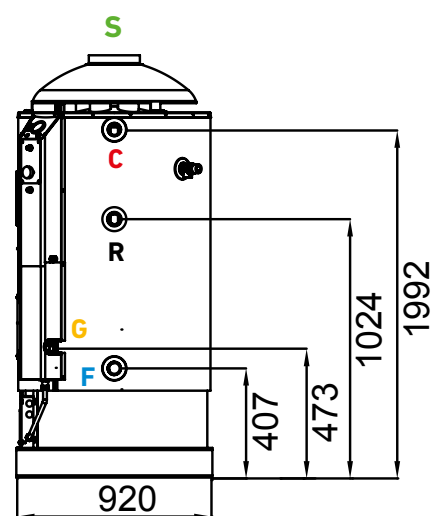
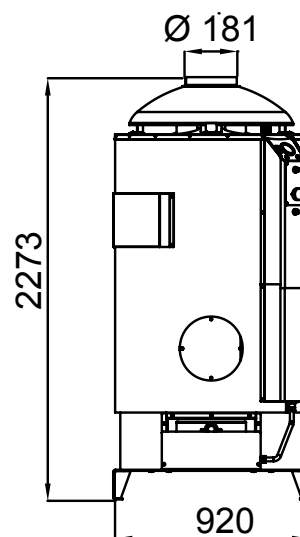
Price **€ 5.570,00**



Main characteristics

- Internal glazing
- Closed-cell polyurethane foam insulation
- Electronic ignition
- Corrosion protection with magnesium anode
- Adjustable thermostat and overheat safety thermostat
- Stainless steel multigas burner, natural gas or propane ready
- Flue gas safety thermostat
- Overpressure safety valve
- Inspection and cleaning flange

Technical data		
Storage capacity	L	740
Nominal input (gross)	kW	28,00
Nominal output (net)	kW	25,20
Warm up time ($\Delta T = 45^{\circ}\text{C}$)	min	92
Continuous water at 40°C	l/h	867
Draw-off capacity single withdrawal*	L	1480
Methane consumption (G20)**	m ³ /h	2,90
Propane consumption (G31)**	kg/h	2,20
Max operating pressure	bar	6
Net weight	kg	301
Connections		
Cold Water Inlet	F	G 1" 1/4
Hot Water Outlet	C	G 1" 1/4
Recirculation	R	G 1" 1/4
Gas Inlet	G	G 1/2"
Exhaust fumes - concentric	S	/
Exhaust fumes - split		$\varnothing 186$
Packaging		
Packages	n.	2
Wooden cage (l x w x h) - (weight)	cm - (kg)	98x98x210 - (320)
Box (l x w x h) - (weight)	cm - (kg)	68x68x250 - (6)



*Under standard conditions: T in 15°C , T out 40°C , T storage 65°C

** Under standard conditions: T in 15°C , 1013 mbar

NATURAL CIRCULATION SOLAR WATER HEATERS



prices.atimariani.it/ati



HYDROSOL

72



DISCOSOL

74



DISCOTERM

76



TOTEM

78

Compact solar panel for 193L domestic hot water production

HYDROSOL

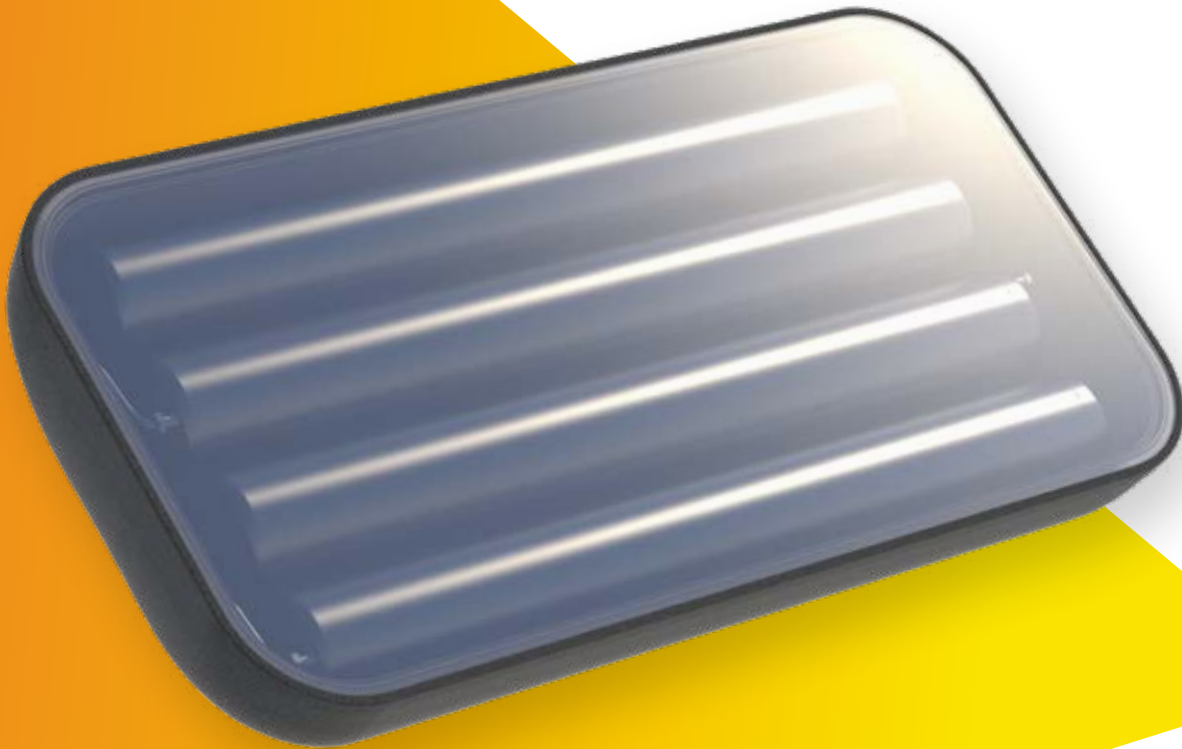


Product details



Video

SOLAR PANELS



Code **HS200**

Price **€ 2.800,00**



Certified according to the standards:

- UNI EN 12976-1
- UNI EN 12976-2



1500 W Electrical heating element assembly with remote control unit

Code **KITHS1500**

Price **€ 340,00**



Antifrees electrical heating element 200 W

Code **KITHSAG**

Price **€ 130,00**



Certified anti-hail glass



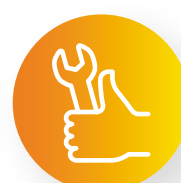
Cathodic protection package



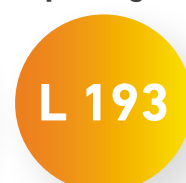
Warranty 5 years



High efficiency



Easy installation



Capacity



Brackets as standard

Technical data		
Gross surface of solar collection	m ²	1,89
Storage capacity	L	193
Empty weight	kg	100
Filled weight	kg	293
Dimensions	m	1,9 x 0,9 x 0,3
Connections IN/OUT	G	3/4"
Max. inlet pressure	bar	4
Max. operating pressure	bar	6
Safety valve pressure	bar	7
Valve pressure T&P	°C / bar	/
Tank	n.	4
Covering material		Double tempered glass
Tray material		EPP anti-UV
Frame with standard brackets		Black painted steel
Internal tank treatment		Double enamel EU 1935/2004
Insulating material		EPP
Insulating density	kg/m ³	60
Lateral thermal insulation	mm	50
Lower thermal insulation	mm	30
"Antifreeze electric resistance (optional) "	W	200
"Electric heating resistance (optional) "	W	1.500
Frame tilt	degree	0°-15°-25°-35°-45°
Packaging		
1 piece	kg l x w x h cm	106 197 x 99 x 48
1 pallet	pc (kg) l x w x h cm	3 (318) 197 x 99 x 145
container 20'	pc	18

535L

Single sampling at 35°C

66°C

Maximum sampling temperature

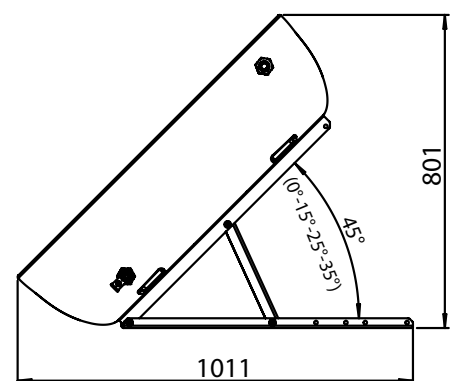
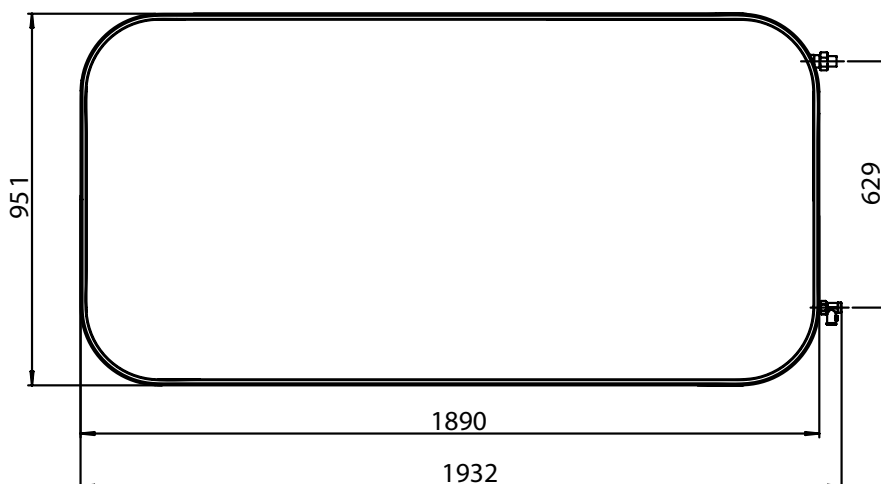
9°C

Night heat loss

**h min
03:20**

Water recovery time at 45°C

SOLAR PANELS



Compact solar panel for 200L domestic hot water production

DISCOSOL



Product details

SOLAR PANELS



Code **DS02**

Price **€ 1.925,00**



Certified according to the standards:

- UNI EN 12976-1
- UNI EN 12976-2



Electrical heating element 1200 W

Code
KIT1200

Price
€ 120,00



Version with integrated electric resistance

Code
DS12

Price
€ 2.050,00



Easy installation



L 200

Capacity



5

Warranty 5 years

Technical data		
Gross surface of solar collection	m ²	1,20
Storage capacity	L	200
Empty weight	kg	81
Filled weight	kg	281
Dimensions	m	1,09 x 1,09 x 0,45
Connections IN/OUT	G	3/4"
Max. inlet pressure	bar	4
Max. operating pressure	bar	6
Safety valve pressure	bar	/
Valve pressure T&P	°C / bar	92 / 7
Tank	n.	1
Covering material		Double dome PMMA
Tray material		ABS
Frame with standard brackets		Galvanized steel
Internal tank treatment		Double enamel EU 1935/2004
Insulating material		Expanded polyurethane
Insulating density	kg/m ³	45
Lateral thermal insulation	mm	30
Lower thermal insulation	mm	30
"Antifreeze electric resistance (optional) "	W	/
"Electric heating resistance (optional) "	W	1.200
Frame tilt	degree	0°-14°-27°-37°
Packaging		
1 piece	kg l x w x h cm	84 113 x 113 x 71
1 pallet	pc (kg) l x w x h cm	3 (252) 113 x 113 x 193
container 20'	pc	30

254L

Single sampling at 35°C

61°C

Maximum sampling temperature

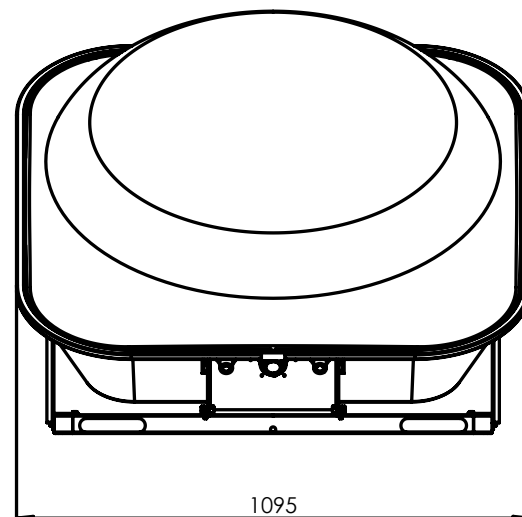
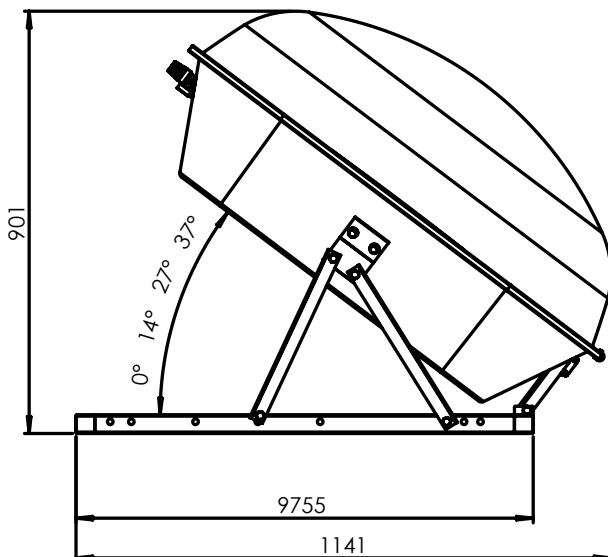
5°C

Night heat loss

05:50
h min

Water recovery time at 45°C

SOLAR PANELS



Compact solar panel for 135L domestic hot water production

DISCOTERM



Product details

SOLAR PANELS



Code **DT02**

Price **€ 1.795,00**



Electrical heating element 1200 W

Code **KIT1200**

Price **€ 120,00**



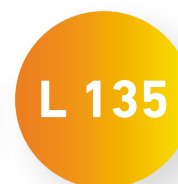
Version with integrated electric resistance

Code **DT12**

Price **€ 1.940,00**



Easy installation



Capacity



Warranty 5 years

Technical data		
Gross surface of solar collection	m ²	1,10
Storage capacity	L	135
Empty weight	kg	67
Filled weight	kg	202
Dimensions	m	1,09 x 1,09 x 0,39
Connections IN/OUT	G	3/4"
Max. inlet pressure	bar	4
Max. operating pressure	bar	6
Safety valve pressure	bar	/
Valve pressure T&P	°C / bar	92 / 7
Tank	n.	1
Covering material		Double dome PMMA
Tray material		ABS
Frame with standard brackets		Galvanized steel
Internal tank treatment		Double enamel EU 1935/2004
Insulating material		Expanded polyurethane
Insulating density	kg/m ³	45
Lateral thermal insulation	mm	30
Lower thermal insulation	mm	30
"Antifreeze electric resistance (optional) "	W	/
"Electric heating resistance (optional) "	W	1.200
Frame tilt	degree	0°-14°-27°-37°
Packaging		
1 piece	kg l x w x h cm	82 113 x 113 x 60
1 pallet	pc (kg) l x w x h cm	4 (328) 113 x 113 x 210
container 20'	pc	40

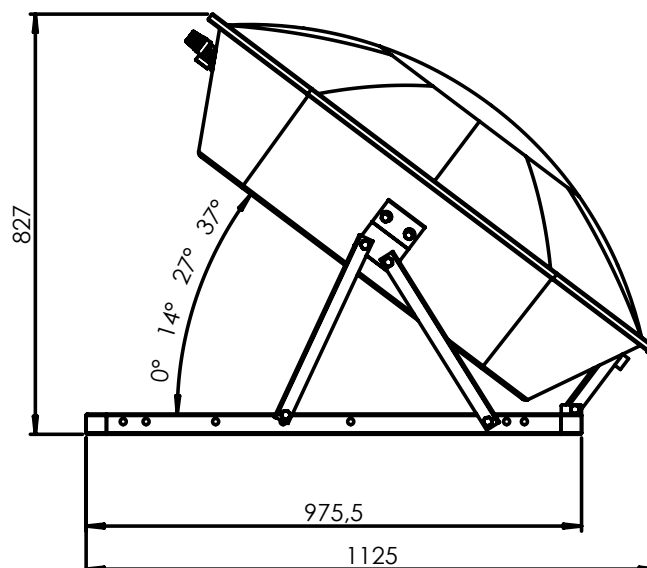
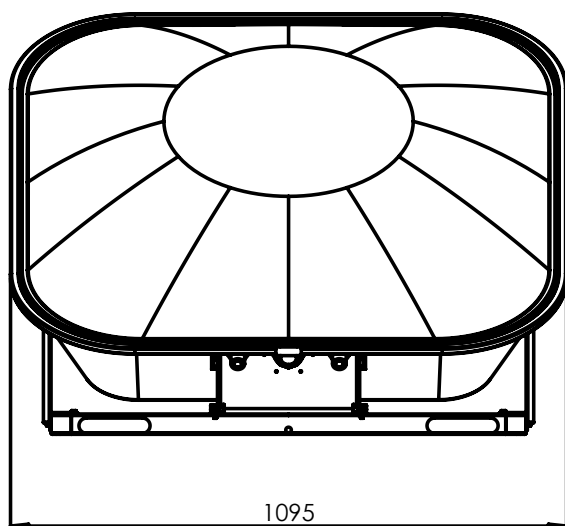
295L

Single
sampling
at 35°C

65°C

Maximum
sampling
temperature

7°C

Night heat
lossh min
04:00Water
recovery
time at 45°C

120L Totem solar panel for domestic hot water production



Product details

TOTEM

SOLAR PANELS



Code **TOT**
Price **€ 1.780,00**



Easy
installation

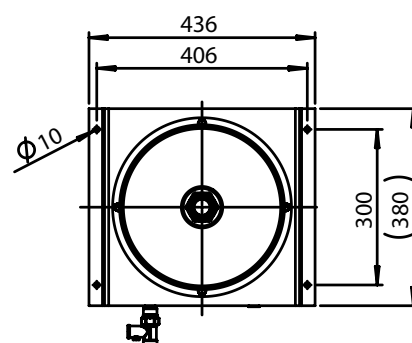
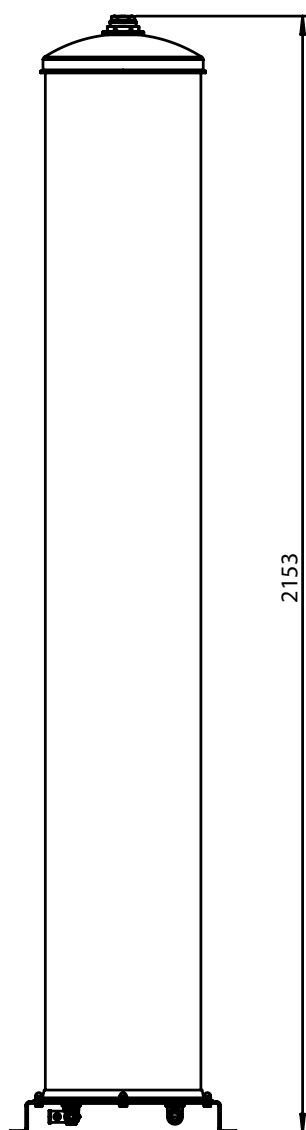


Capacity



Warranty
5 years

Technical data		
Storage capacity	L	120
Gross surface of solar collection	m ²	1,83
Max. inlet pressure	bar	5
Safety valve		✓
Connections IN/OUT	G	¾"
Empty weight	kg	65
Full weight	kg	185
Packaging		
1 piece	kg l x w x h cm	65 48 x 49 x 214
1 pallet	pc (kg) l x w x h cm	4 (270) 107 x 107 x 236



OUTDOOR SHOWERS

SOLAR SHOWERS

82



DORA BALTEA



ARNO



TEVERE



RUBICONE



PIAVE



ADIGE

TRADITIONAL SHOWERS

94



FLEX



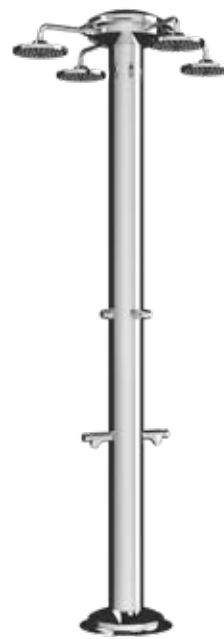
MINI JET



UNI



STILO



MUL



LAV

SHOWERS

Solar shower **DORA BALTEA**



Product details



Dora Baltea N

Code **SOL-RN**
Price **€ 1.690,00**

Matte Black
Ral 9005

Dora Baltea A

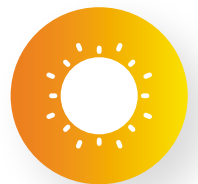
Code **SOL-RA**
Price **€ 1.690,00**

Slate Grey
Ral 7015

SHOWERS

Customization Color

Customize the color of your shower: look for this icon in the catalog to find out which models you can customize. Contact our sales office for more information specifying the RAL color.



Solar



Capacity



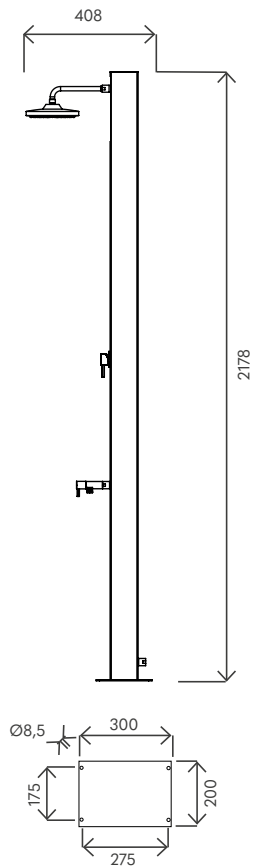
Stainless steel



Easy installation



Technical data		
Material (tank)		AISI 304
Tank capacity	L	40
Water connection	in	1/2" F
Max pressure	bar	3
Safety valve		-
Height-adjustable shower		-
Adjustable shower head		✓
Soap dish		-
Model with mixer and foot washer		SOL-RN / SOL-RA
Empty weight	Kg	36
Packaging		
Packing 1 piece	kg l x w x h cm	48 60 x 80 x 238



Solar shower **ARNO**



Product details



Arno N

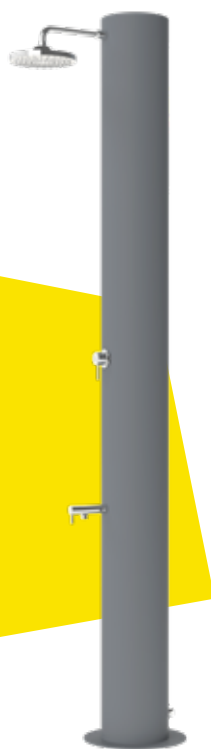
Code **SOL-XN**

Price € 1.490,00

Code **SOL-TXN**

Price € 1.580,00

Matte Black
Ral 9005



Arno A

Code **SOL-XA**

Price € 1.490,00

Code **SOL-TXA**

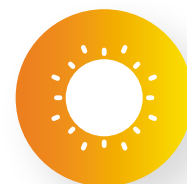
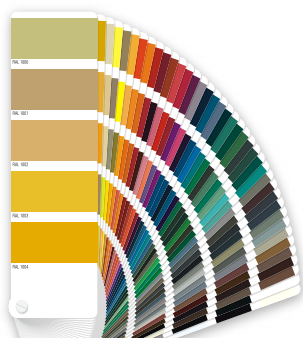
Price € 1.580,00

Slate Grey
Ral 7015

SHOWERS

Customization Color

Customize the color of your shower: look for this icon in the catalog to find out which models you can customize. Contact our sales office for more information specifying the RAL color.



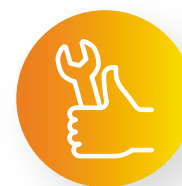
Solar



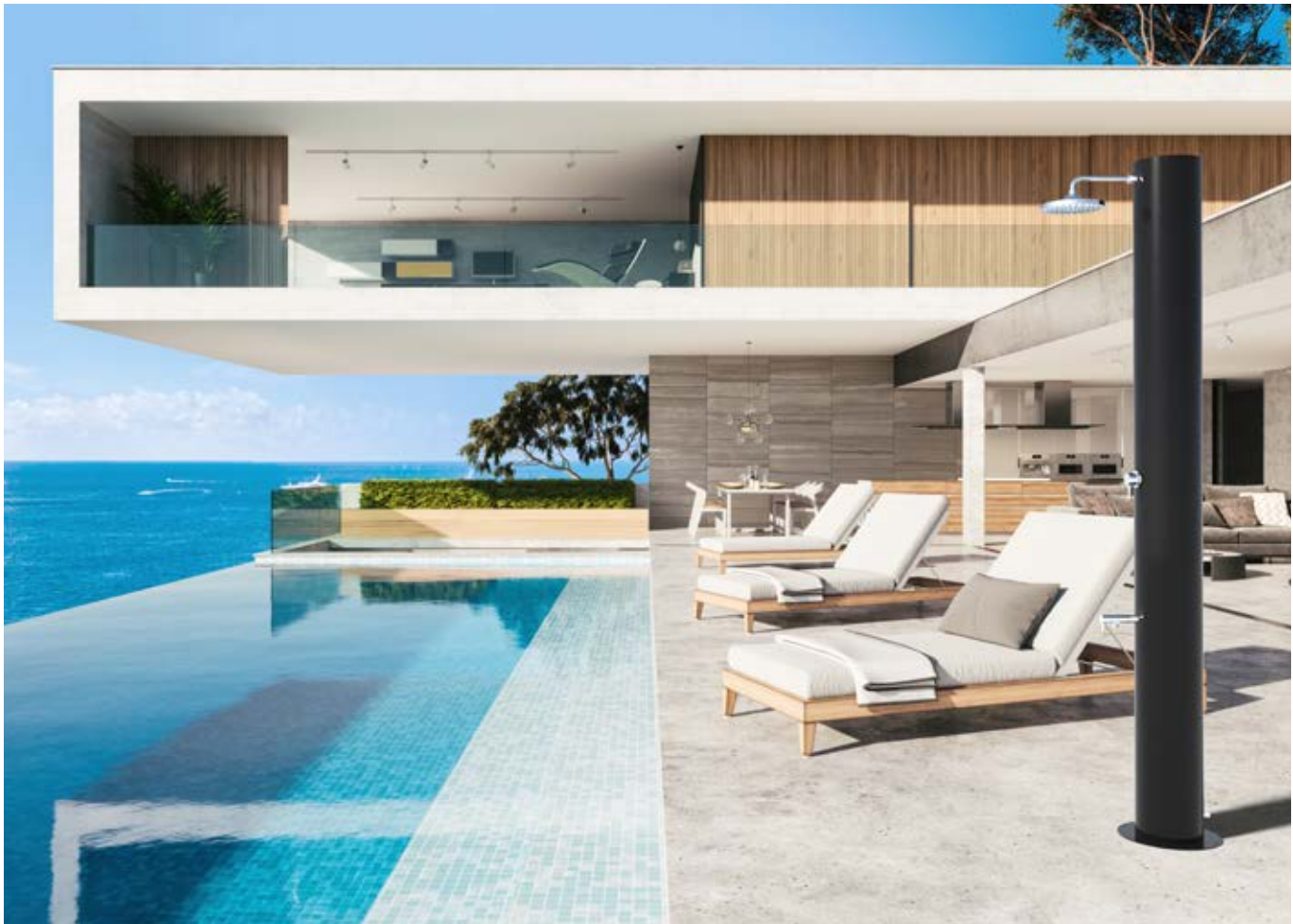
Capacity



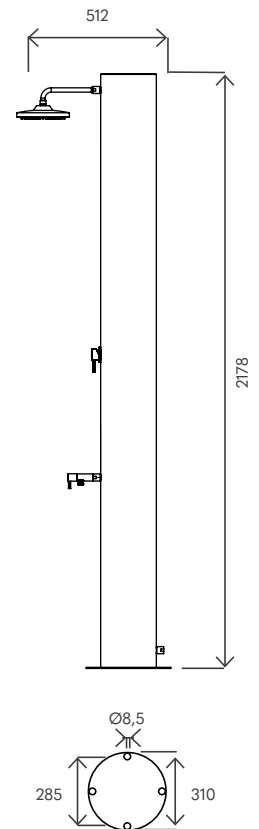
Stainless steel



Easy installation



Technical data		
Material (tank)		AISI 304
Tank capacity	L	70
Water connection	in	1/2" F
Max pressure	bar	3
Safety valve		-
Height-adjustable shower		-
Adjustable shower head		✓
Soap dish		-
Model with mixer and foot washer		SOL-XN / SOL-XA
Model with timer mixer		SOL-TXN / SOL-TXA
Empty weight	Kg	29
Packaging		
Packing 1 piece	kg l x w x h cm	42 60 x 80 x 238



Solar shower **TEVERE**



Product
details



Tevere X

Code **SOL-GP**
Price **€ 890,00**

Code **SOL-TGP**
Price **€ 970,00**

Satin
Stainless Steel



Tevere N

Code **SOL-GN**
Price **€ 780,00**

Code **SOL-TGN**
Price **€ 860,00**

Matte Black
Ral 9005



Tevere A

Code **SOL-GA**
Price **€ 780,00**

Code **SOL-TGA**
Price **€ 860,00**

Slate Grey
Ral 7015



Tevere B

Code **SOL-GB**
Price **€ 780,00**

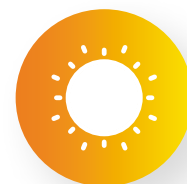
Code **SOL-TGB**
Price **€ 860,00**

Pearl White
Ral 1013

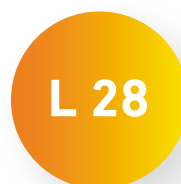
SHOWERS

Customization Color

Customize the color of your shower: look for this icon in the catalog to find out which models you can customize. Contact our sales office for more information specifying the RAL color.



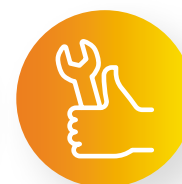
Solar



Capacity



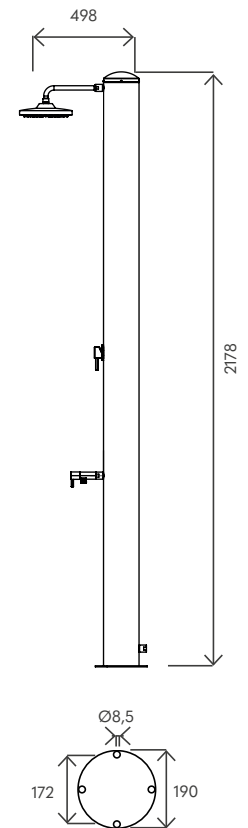
Stainless
steel



Easy
installation



Technical data		
Material (tank)		AISI 316L
Tank capacity	L	28
Water connection	in	1/2" F
Max pressure	bar	3
Safety valve		-
Height-adjustable shower		-
Adjustable shower head		✓
Soap dish		-
Model with mixer and foot washer		SOL-GP / SOL-GN / SOL-GA / SOL-GB
Model with timer mixer		SOL-TGP / SOL-TGN / SOL-TGA / SOL-TGB
Empty weight	Kg	12
Packaging		
Packing 1 piece	kg l x w x h cm	15 35 x 35 x 215



Solar shower
RUBICONE



Product
details

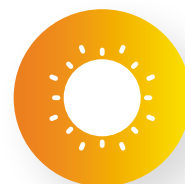


SHOWERS

Rubicone

Code **SOL-S**
Price **€ 1290,00**

Matte Black
Ral 9005



Solar



Capacity



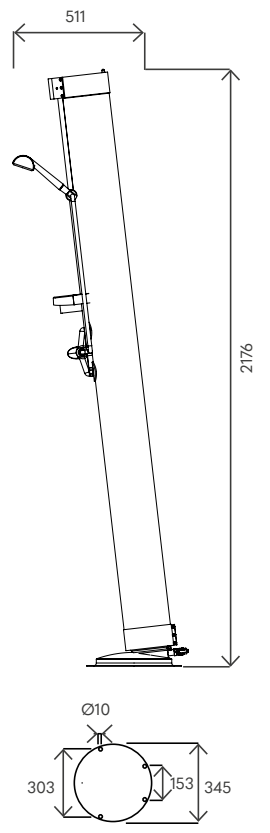
Stainless
steel



Easy
installation



Technical data		
Material (tank)		AISI 316L
Tank capacity	L	28
Water connection	in	1/2" F
Max pressure	bar	3
Safety valve		✓
Height-adjustable shower		✓
Adjustable shower head		✓
Soap dish		✓
Model with mixer		SOL-S
Empty weight	Kg	13
Packaging		
Packing 1 piece	kg l x w x h cm	15 35 x 35 x 225



SHOWERS

Solar shower
PIAVE



Product details

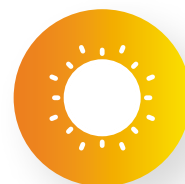


SHOWERS

Piave

Code **SOL-N**
Price **€ 1060,00**

Matte Black
Ral 9005



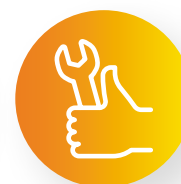
Solar



Capacity



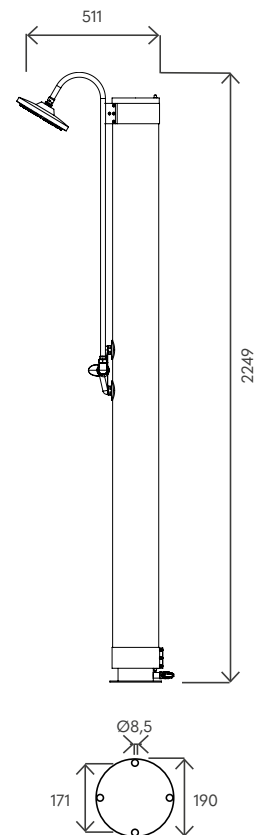
Stainless steel



Easy installation



Technical data		
Material (tank)		AISI 316L
Tank capacity	L	28
Water connection	in	1/2" F
Max pressure	bar	3
Safety valve		✓
Height-adjustable shower		-
Adjustable shower head		✓
Soap dish		-
Model with mixer		SOL-N
Empty weight	Kg	13
Packaging		
Packing 1 piece	kg	15
	l x w x h cm	35 x 35 x 225



Solar shower
ADIGE



Product details



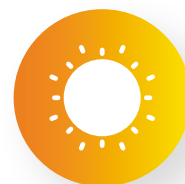
SHOWERS

Adige

Code **SOL-M**
Price € **1780,00**

Code **SOL-TM**
Price € **1990,00**

Matte Black
Ral 9005



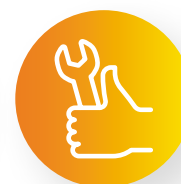
Solar



Capacity



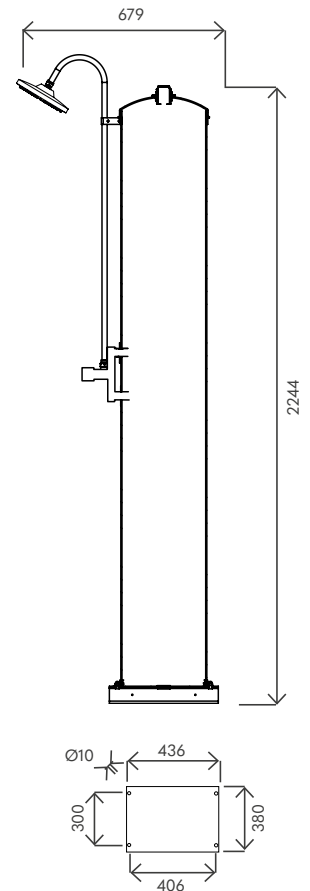
Glazed steel



Easy installation



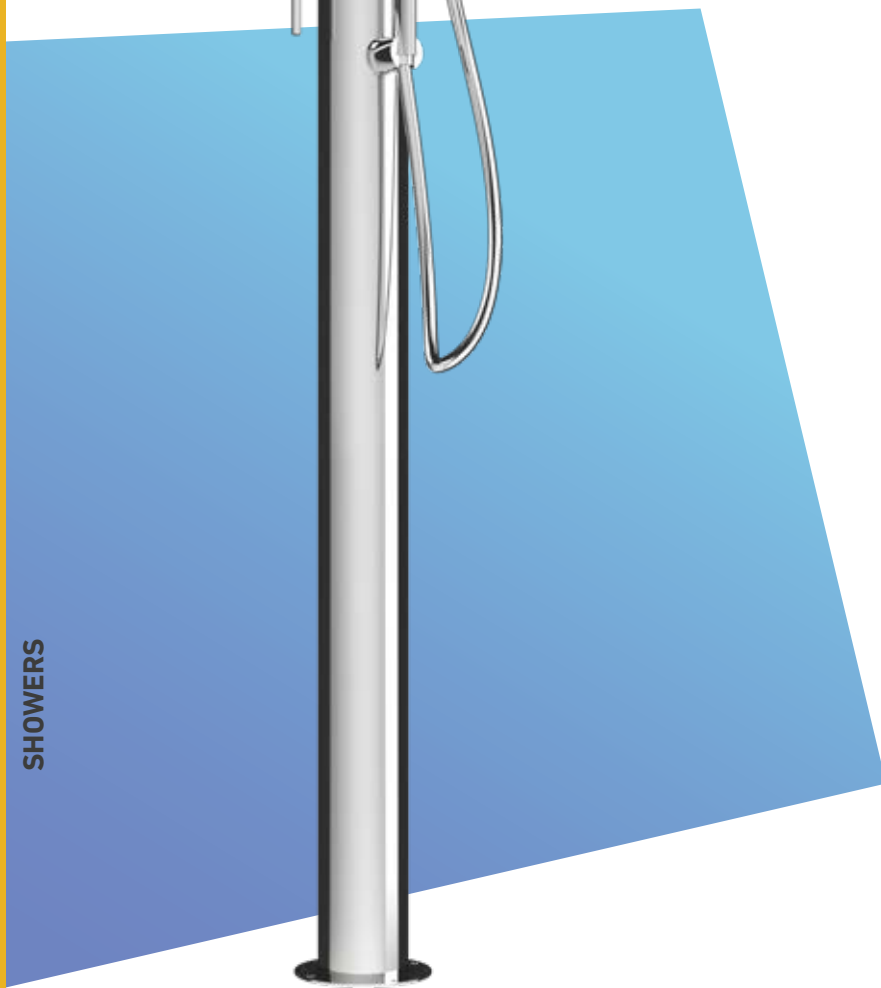
Technical data		
Material (tank)		Glazed Steel
Tank capacity	L	120
Water connection	in	3/4" M
Max pressure	bar	5
Safety valve		✓
Height-adjustable shower		-
Adjustable shower head		✓
Soap dish		-
Model with mixer		SOL-M
Model with timed button		SOL-TM
Empty weight	Kg	46
Packaging		
Packing 1 piece	kg l x w x h cm	65 60 x 80 x 225



Traditional shower
FLEX



Product
details



SHOWERS

Code **FLEX-M**
Price **€ 670,00**

Code **FLEX-R**
Price **€ 570.00**



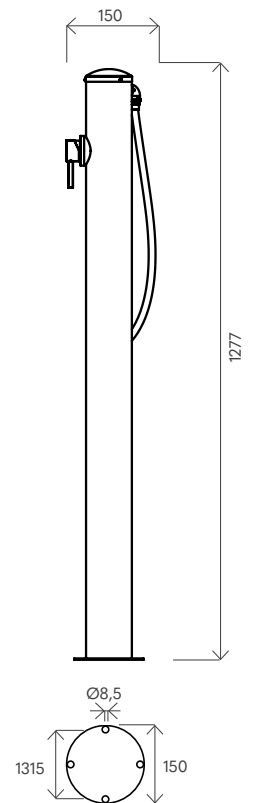
**Stainless
steel**



**Easy
installation**



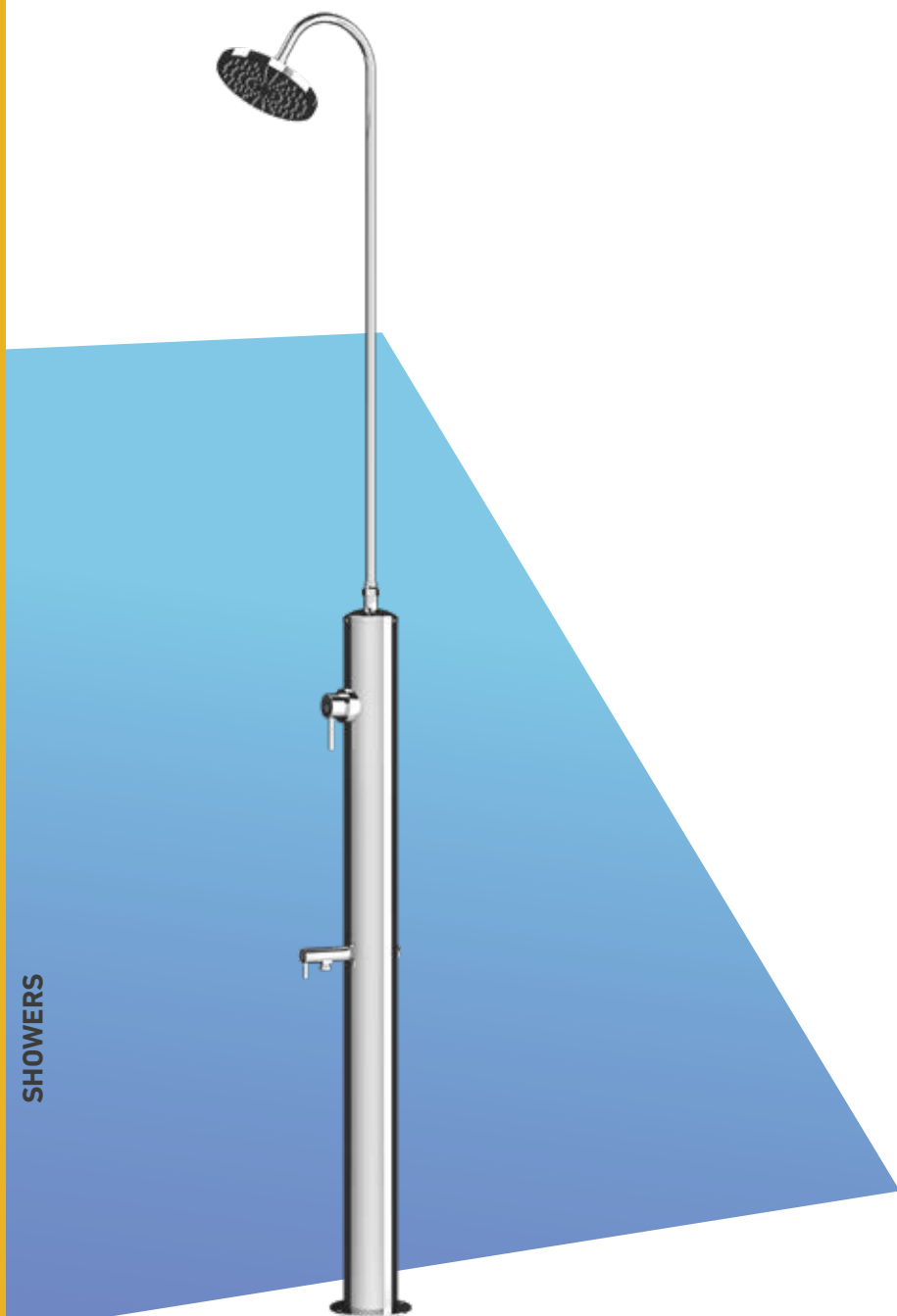
Technical data		
Material (tank)		AISI 316 BA
Number of connections		2 (FLEX-M) 1 (FLEX-R)
Water connection	in	3/4" F
Max pressure	bar	3
Number of blowers		1
Footwash number		-
Model with mixer		FLEX-M
Model with tap		FLEX-R
Model with timed button		-
Packaging		
Packing 1 piece	kg l x w x h cm	8,3 135 x 35 x 35



Traditional shower
MINIJET



Product
details



Code **MINIJET-M**

Price **€ 780,00**

Code **MINIJET-R**

Price **€ 670,00**

Code **MINIJET-P**

Price **€ 710,00**



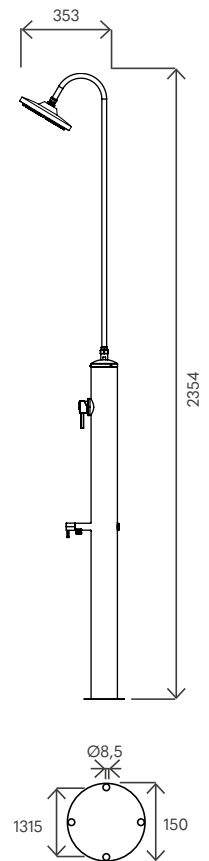
**Stainless
steel**



**Easy
installation**



Technical data		
Material (tank)		AISI 316 BA
Number of connections		2 (MINIJET-M) 1 (MINIJET-P) 1 (MINIJET-R)
Water connection	in	3/4" F
Max pressure	bar	3
Number of blowers		1
Adjustable shower head		✓
Footwash number		1
Model with mixer and foot washer		MINIJET-M
Model with tap and foot washer		MINIJET-R
Model with timed button and foot washer		MINIJET-P
Packaging		
Packing 1 piece	kg L x w x h cm	8,6 135 x 35 x 35



Traditional shower
UNI



Product
details



SHOWERS

Code **UNI-1M**
Price € **1.090,00**

Code **UNI-1R**
Price € **980,00**

Code **UNI-1P**
Price € **1.020,00**



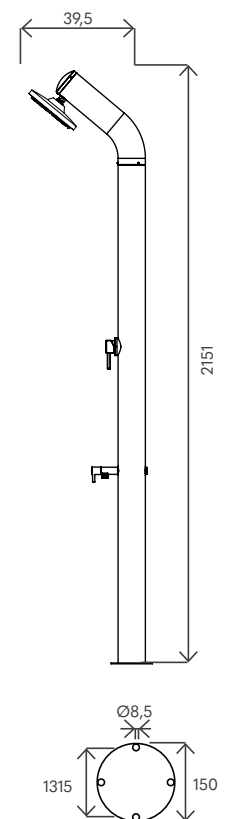
Stainless
steel



Easy
installation



Technical data		
Material (tank)		AISI 316 BA
Number of connections		2 (UNI-1M) 1 (UNI-1P) 1 (UNI-1R)
Water connection	in	3/4" F
Max pressure	bar	3
Number of blowers		1
Adjustable shower head		✓
Footwash number		1
Model with mixer and foot washer		UNI-1M
Model with tap and foot washer		UNI-1R
Model with timed button and foot washer		UNI-1P
Packaging		
Packing 1 piece	kg l x w x h cm	10,9 235 x 35 x 35



Traditional shower
STILO



Product
details



SHOWERS

Code **STILO-M**

Price **€ 790,00**

Code **STILO-P**

Price **€ 730,00**

**AISI
304BA**

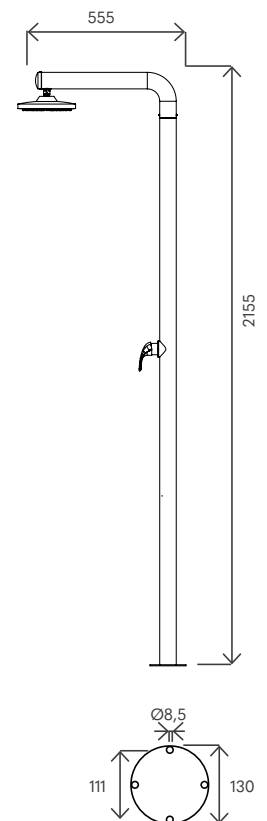
**Stainless
steel**



**Easy
installation**



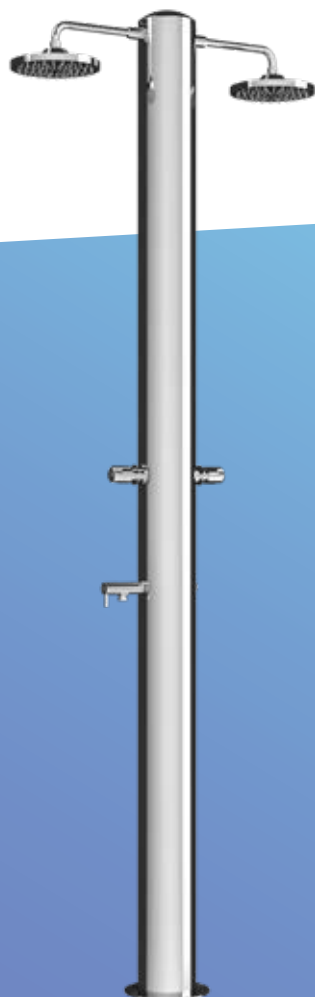
Technical data		
Material (tank)		AISI 304
Number of connections		2 (STILO-M) 1 (STILO-P)
Water connection	in	1/2" F
Max pressure	bar	3
Number of blowers		1
Adjustable shower head		✓
Footwash number		-
Model with mixer		STILO-M
Model with tap		-
Model with timed button		STILO-P
Packaging		
Packing 1 piece	kg l x w x h cm	6,5 35 x 35 x 225



Traditional shower
MUL

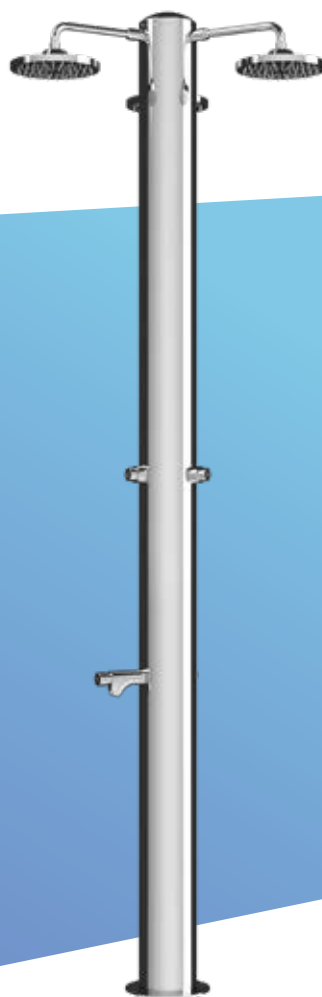


Product details

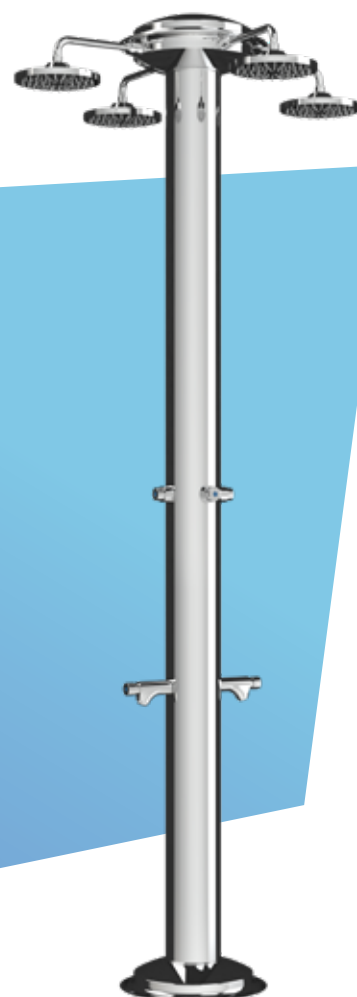


Code **MUL-2P**
Price € **1.810,00**

Code **MUL-2R**
Price € **1.790,00**



Code **MUL-3P**
Price € **2.040,00**



Code **MUL-4P**
Price € **2.280,00**

SHOWERS

**AISI
316BA**

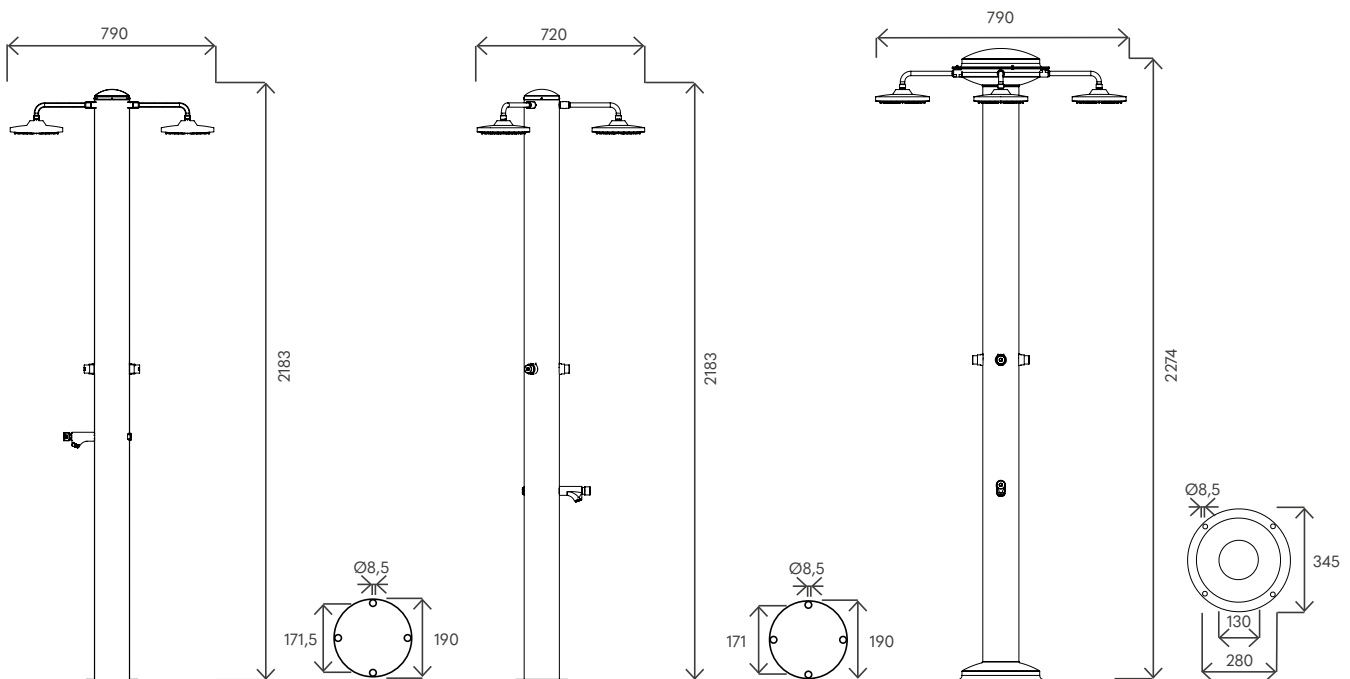
**Stainless
steel**



**Easy
installation**



Technical data		Mul-2	Mul-3	Mul-4
Material (tank)		AISI 316 BA	AISI 316 BA	AISI 316 BA
Number of connections		1 (MUL-2R) 1 (MUL-2P)	1 (MUL-3P)	1 (MUL-4P)
Water connection	in	3/4" F	3/4" F	3/4" F
Max pressure	bar	3	3	3
Number of blowers		2	3	4
Adjustable shower heads		✓	✓	✓
Foot washers number		1	1	2
Model with mixer and foot washer		-	-	-
Model with tap and foot washer		MUL-2R	-	-
Model with timed button and foot washer		MUL-2P	MUL-3P	MUL-4P
Packaging				
Packing 1 piece	kg l x w x h cm	13 35 x 35 x 225	15 35 x 35 x 225	20 35 x 35 x 225



Traditional shower
LAV



Product
details

SHOWERS



Code **LAV-2R**
Price **€ 700,00**

Code **LAV-2P**
Price **€ 730,00**



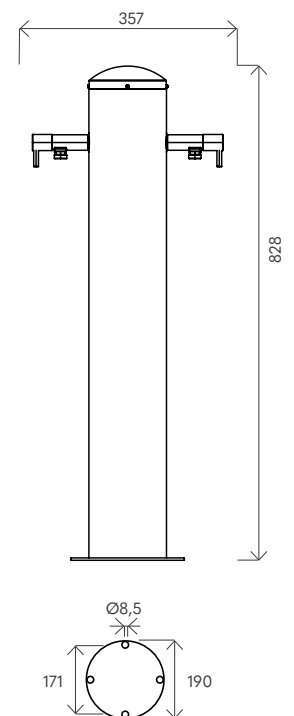
**Stainless
steel**



**Easy
installation**



Technical data		
Material (tank)		AISI 316 BA
Number of connections		1 (LAV-2R) 1 (LAV-2P)
Water connection	in	3/4" F
Max pressure	bar	3
Number of blowers		-
Footwash number		2
Model with mixer		-
Model with tap		LAV-2R
Model with timed button		LAV-2P
Packaging		
Packing 1 piece	kg l x w x h cm	7 35 x 35 x 96



FLUE SYSTEMS

T120 POLYPROPYLENE

109



SINGLE WALL

110



CONCENTRIC

143



DOUBLE WALL

160

T200 METALLIC

173



SINGLE WALL

174



CONCENTRIC

198



DOUBLE WALL

200

T200-T250 FOR PELLETT STOVES

209



SINGLE WALL

210



DOUBLE WALL

219

T120 POLYPROPYLENE FLUE SYSTEMS

SINGLE WALL

109



prices.atimariani.it/ati



RIGID PP SINGLE WALL

110

Ø 50 - Ø 60 - Ø 80 - Ø 100 - Ø 110 - Ø 125 - Ø 160 - Ø 200



FLEXIBLE PP SINGLE WALL

111

Ø 50 - Ø 60 - Ø 80 - Ø 100 - Ø 110 - Ø 125 - Ø 160



ACCESSORIES

142

CONCENTRIC

143



prices.atimariani.it/ati



PP/PP Ø 60/100

144



PP/WHITE ALUMINIUM Ø 60/100

149

PP/WHITE ALUMINIUM Ø 80/125

152



PP/STAINLESS STEEL Ø 80/125

155

PP/STAINLESS STEEL Ø 100/150

158

DOUBLE WALL

160



prices.atimariani.it/ati



PP/BROWN ALUMINIUM Ø 80/100

160

PP/BROWN ALUMINIUM Ø 100/130

163



PP/COPPER Ø 80/100

165



PP/STAINLESS STEEL Ø 80/100

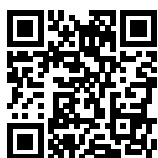
168

SINGLE WALL POLYPROPYLENE

Available diametres

Ø 50÷200

Documentation



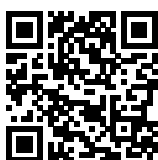
DoP

get.atimariani.it/dop/DOP06.pdf



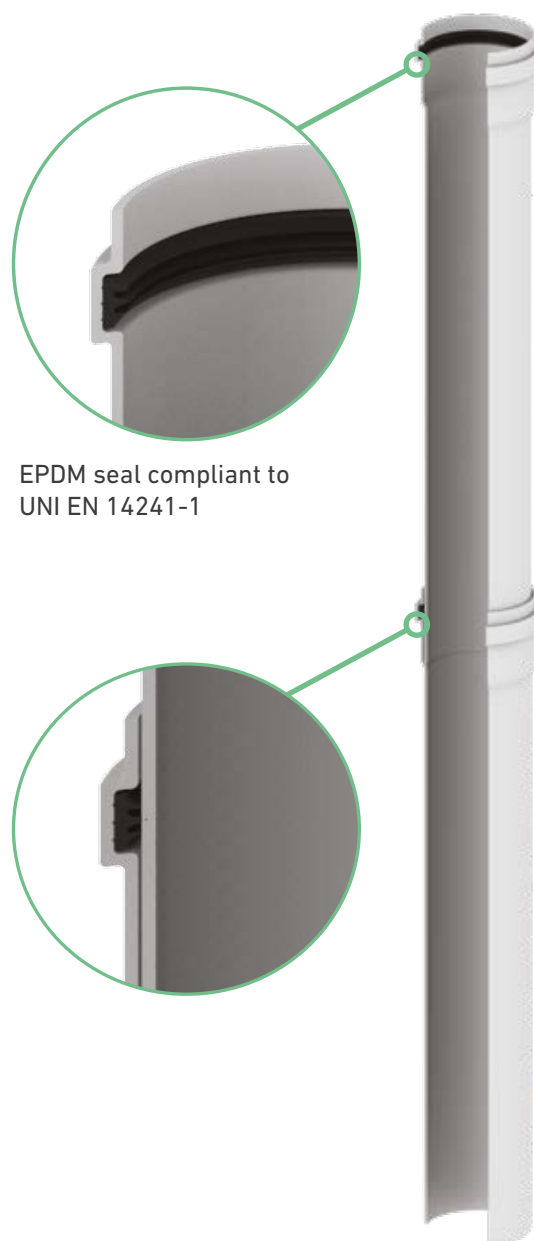
Instruction manual

get.atimariani.it/man/MANUT-PP-001.pdf



Catalogue section

get.atimariani.it/engcat/PP-SW.pdf



EPDM seal compliant to
UNI EN 14241-1

Applications



Indoor
installation



Condensing
devices



Kitchen
hood



Product designation according to EN 14471

Single wall rigid system chimney with plastic flue liner.

Temperature	Pressure	Condensate	Corrosion	Distance from combustible mat.	Location	Reaction to fire	Protection
T120 max 120 °C	P1 200 Pa	W Wet utilization	2 Gaseous / liquid fuels	010 10 mm	LE Indoor/Outdoor	E Poor fire reaction properties	U No protection

SINGLE WALL POLYPROPYLENE

Available diametres

Ø 50÷160

Documentation



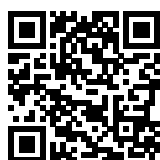
DoP

get.atimariani.it/dop/DOP07.pdf



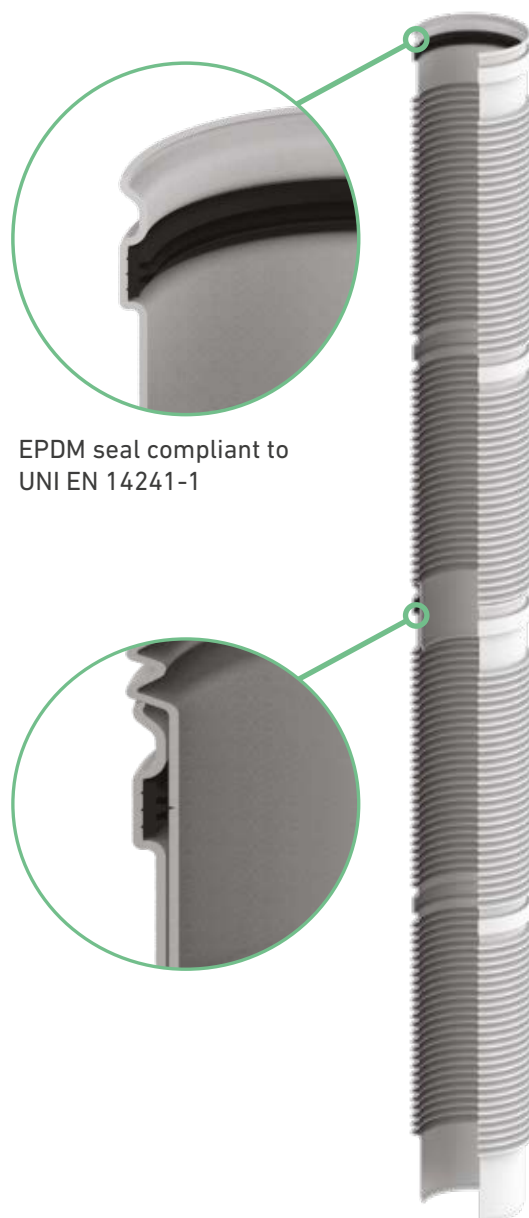
Instruction manual

get.atimariani.it/man/MANUT-PP-003.pdf



Catalogue section

get.atimariani.it/engcat/PP-SW.pdf



EPDM seal compliant to UNI EN 14241-1

Applications



Indoor installation



Condensing devices



Kitchen hood



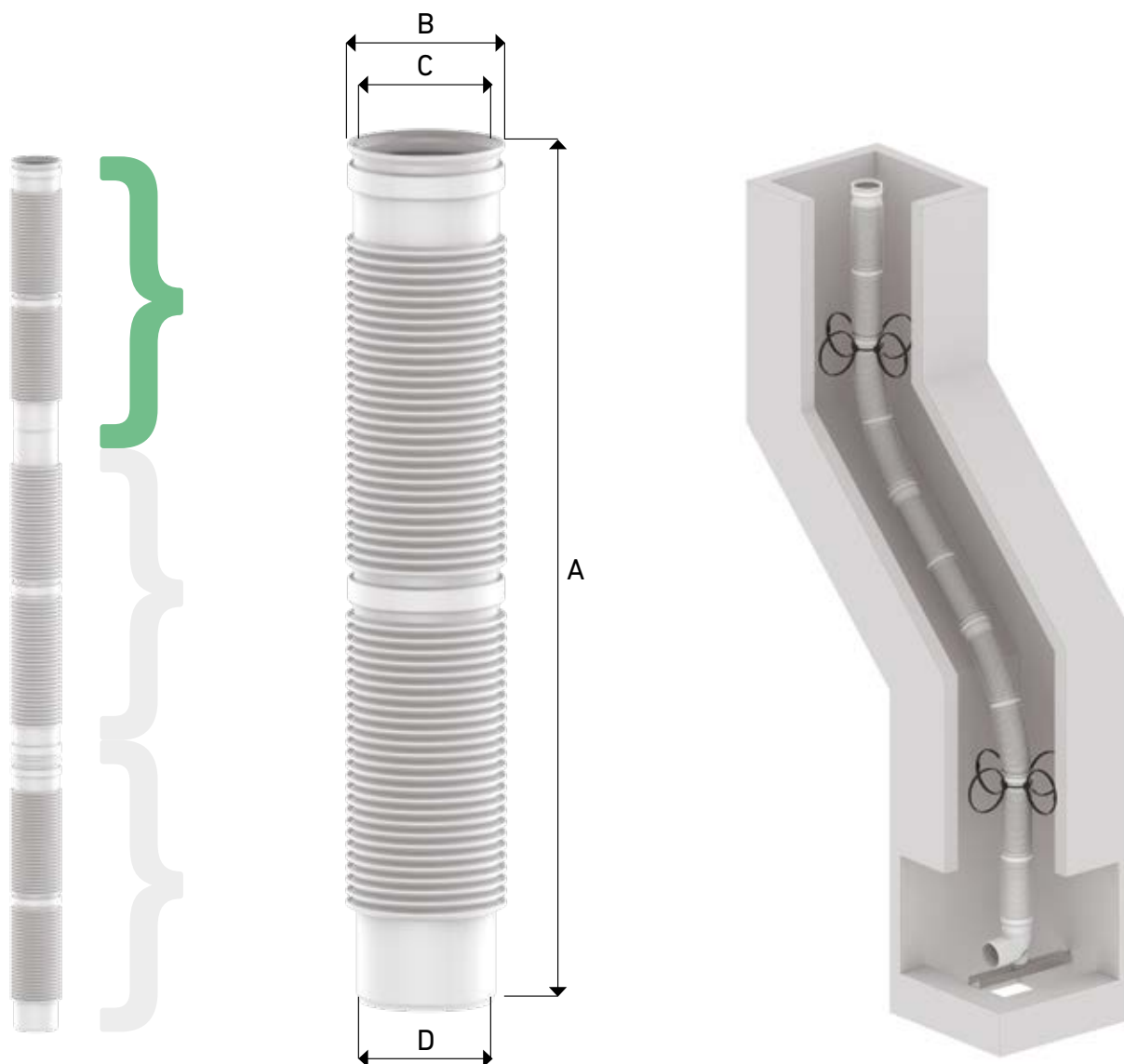
Product designation according to EN 14471

Single wall flexible system chimney with plastic flue liner.							
Temperature	Pressure	Condensate	Corrosion	Distance from combustible mat.	Location	Reaction to fire	Protection
T120 max 120 °C	P1 200 Pa	W Wet utilization	2 Gaseous / liquid fuels	O10 10 mm	LI Indoor only	E Poor fire reaction properties	U No protection

FLEXIBLE PIPE ROLL

Flexible pipes are supplied in rolls made up of 50cm long modules in order to facilitate the fulfilment of flue systems of the desired length. Each module has a male and a female thread.

The modules are paired alternately, female against female and male against male, as shown in the scheme. In the below table are listed the main module sizes for the various diameters. The flexible diameter 50 has a different design since it's fully corrugated.



	Ø 50	Ø 60	Ø 80	Ø 100	Ø 110	Ø 125	Ø 160
A (mm)	-	508	508	508	508	508	490
B (mm)	58	66	87,4	114	121,4	140	174
C (mm)	51	61	81	101	111	126	161
D (mm)	-	60	80	100	110	125	160
Connection	-	M/F	M/F	M/F	M/F	M/F	M/F
Roll length and colour	25/50 m Black	25/50 m White 50 m Black	25/50 m White 50 m Black	25 m White	25 m White	25 m White	25 m White



Pipe

Dim.	250 mm	500 mm	1000 mm	2000 mm
Cod.	WB1-25P	WB1-55P	WB1-105P	WB1-205P
Note	thk. 1,8 mm	thk. 1,8 mm	thk. 1,8 mm	thk. 1,8 mm
Pcs.	28	28	28	28
€/pcs.	€ 6,18	€ 7,52	€ 12,50	€ 19,10



Flexible black pipe

Dim.	
Cod.	WNF52P
Note	roll
Pcs.	25
€/pcs.	€ 12,50

Flexible black pipe

Dim.	
Cod.	WNF50P
Note	roll
Pcs.	50
€/pcs.	€ 12,50

M/F adapter

Dim.	
Cod.	WNF50AP
Note	
Pcs.	1
€/pcs.	€ 26,30



Bend

Dim.	30°
Cod.	WB2-35P
Note	segment bend
Pcs.	10
€/pcs.	€ 8,24

Bend

Dim.	45°
Cod.	WB2-45P
Note	
Pcs.	10
€/pcs.	€ 7,32

Bend

Dim.	93°
Cod.	WB2-95P
Note	
Pcs.	10
€/pcs.	€ 8,04



T element

Dim.	h 160 mm
Cod.	WB13-50PMF
Note	
Pcs.	10
€/pcs.	€ 13,50

Condensation drain

Dim.	1/2"
Cod.	WB16-50P
Note	vertical
Pcs.	10
€/pcs.	€ 9,38

Reducing adapter

Dim.	Ø 50 F - Ø 60 M
Cod.	WB8-56P
Note	
Pcs.	1
€/pcs.	€ 18,50



Reducing adapter

Dim.	Ø 50 F - Ø 80 M
Cod.	WB8-58P
Note	
Pcs.	1
€/pcs.	€ 18,50



EPDM seal

Dim.	
Cod.	W20-50
Note	
Pcs.	10
€/pcs.	€ 0,93



Bracing bracket

Dim.	Ø 50 - Ø 200
Cod.	WB67-02
Note	ring bracket
Pcs.	4
€/pcs.	€ 8,24



Stainless steel/pp grid - T120

Dim.	
Cod.	WB11-050
Note	air inlet
Pcs.	1
€/pcs.	€ 8,97



Pipe

Dim.	250 mm	500 mm	1000 mm	2000 mm
Cod.	WB1-26P	WB1-56P	WB1-106P	WB1-206P
Note	thk. 2 mm	thk. 2 mm	thk. 2 mm	thk. 2 mm
Pcs.	28	28	28	28
€/pcs.	€ 6,70	€ 8,04	€ 12,90	€ 21,30



M/F flexible pipe

Dim.	
Cod.	WBF62P
Note	roll
Pcs.	25
€/pcs.	€ 12,50



M/F flexible pipe

Dim.	
Cod.	WBF60P
Note	roll
Pcs.	50
€/pcs.	€ 12,50



M/F flexible black pipe

Dim.	
Cod.	WNF60P
Note	roll
Pcs.	50
€/pcs.	€ 14,40



Adjustable pipe

Dim.	550 / 900 mm
Cod.	WBF60T
Note	
Pcs.	5
€/pcs.	€ 12,50



Stainless steel security clamp

Dim.	
Cod.	W9-6FX
Note	for flexible pipes
Pcs.	10
€/pcs.	€ 5,05



Bend

Dim.	30°
Cod.	WB2-36P
Note	segment bend
Pcs.	10
€/pcs.	€ 9,17



Bend

Dim.	45°
Cod.	WB2-46P
Note	
Pcs.	10
€/pcs.	€ 7,52



Bend

Dim.	93°
Cod.	WB2-96P
Note	
Pcs.	10
€/pcs.	€ 8,24



Bend

Dim.	93°
Cod.	WB2-96PIS
Note	with inspection plug
Pcs.	1
€/pcs.	€ 21,90



Support bend

Dim.	93°
Cod.	WB2-96PSC
Note	
Pcs.	5
€/pcs.	€ 19,10



Bracket

Dim.	350 x 50 mm
Cod.	14-STAF
Note	
Pcs.	1
€/pcs.	€ 18,60



T element

Dim.	h 185 mm
Cod.	WB13-60PMF
Note	
Pcs.	10
€/pcs.	€ 14,00



T element

Dim.	h 217 mm
Cod.	WB13-60PSC
Note	1/2" drain
Pcs.	10
€/pcs.	€ 18,30



Inspection element

Dim.	
Cod.	WB13-60PIS
Note	with expansion plug
Pcs.	5
€/pcs.	€ 26,20



Inspection element

Dim.	
Cod.	WB13-60PPI
Note	with plug and measuring point
Pcs.	5
€/pcs.	€ 30,50



Inspection plug

Dim.	
Cod.	WB12-60P
Note	expansion plug
Pcs.	1
€/pcs.	€ 8,45



Inspection plug

Dim.	
Cod.	WB12-60PF
Note	female
Pcs.	1
€/pcs.	€ 7,52



Condensation drain

Dim.	1/2"
Cod.	WB16-60P
Note	vertical
Pcs.	10
€/pcs.	€ 9,89



Condensation drain

Dim.	1/2"
Cod.	WB16-60PSV
Note	vertical - l 144
Pcs.	10
€/pcs.	€ 18,30



Condensation drain

Dim.	1/2"
Cod.	WB13-60PSO
Note	horizontal - l 185
Pcs.	10
€/pcs.	€ 24,90



Condensation drain

Dim.	1/2"
Cod.	WB16-60PSC
Note	boiler connection
Pcs.	1
€/pcs.	€ 11,80



Reducing adapter

Dim.	Ø 60 F - Ø 80 M
Cod.	WB8-68P
Note	
Pcs.	10
€/pcs.	€ 24,90



Increasing adapter

Dim.	Ø 60 F - Ø 50 M
Cod.	WB8-65P
Note	vertical
Pcs.	1
€/pcs.	€ 16,90



Increasing adapter

Dim.	Ø 60 F - Ø 50 M
Cod.	WB8-65PO
Note	horizontal
Pcs.	1
€/pcs.	€ 24,90



EPDM seal

Dim.	
Cod.	W20-60
Note	for rigid
Pcs.	10
€/pcs.	€ 1,14



EPDM seal

Dim.	
Cod.	W20-60F
Note	for flexible
Pcs.	10
€/pcs.	€ 1,14



Wall cover

Dim.	
Cod.	9-6
Note	metal
Pcs.	20
€/pcs.	€ 4,12



Wall cover

Dim.	
Cod.	9-66
Note	EPDM
Pcs.	20
€/pcs.	€ 3,92



Wall bracket

Dim.	
Cod.	14-60
Note	
Pcs.	10
€/pcs.	€ 5,26



Bracing bracket

Dim.	Ø 50 - Ø 200
Cod.	WB67-02
Note	ring bracket
Pcs.	4
€/pcs.	€ 8,24



Vertical flue terminal

Dim.	h 273 mm
Cod.	WM45-60P
Note	for flat shaft
Pcs.	1
€/pcs.	€ 33,80



Roof terminal

Dim.	h 1165 mm
Cod.	WM45-60PAB
Note	5° - 30° pitched roof
Pcs.	1
€/pcs.	€ 96,70



Brown tile

Dim.	500 x 500 mm
Cod.	5-TA
Note	5° - 30° pitched roof
Pcs.	1
€/pcs.	€ 34,50



Horizontal flue terminal

Dim.	
Cod.	WN10-060
Note	nylon-male
Pcs.	10
€/pcs.	€ 8,04



Anti-drip terminal

Dim.	
Cod.	WN10-060AN
Note	pp-male
Pcs.	10
€/pcs.	€ 12,50



Stainless steel grid

Dim.	
Cod.	11-060AX
Note	air inlet-female
Pcs.	10
€/pcs.	€ 6,18



Stainless steel grid

Dim.	
Cod.	11-6AX
Note	air inlet-female
Pcs.	10
€/pcs.	€ 5,46



PP grid

Dim.	
Cod.	10-6B
Note	air inlet-female
Pcs.	10
€/pcs.	€ 4,60



Horizontal flue terminal

Dim.	l 80 mm
Cod.	10-6SX
Note	female
Pcs.	10
€/pcs.	€ 6,18



Vertical flue terminal

Dim.	h 76 mm
Cod.	10-6VX
Note	female
Pcs.	10
€/pcs.	€ 21,70



Vertical flue terminal

Dim.	h 157 mm
Cod.	6-6CX
Note	male
Pcs.	5
€/pcs.	€ 24,90



Pipe

Dim.	250 mm	500 mm	1000 mm	2000 mm
Cod.	WB1-28P	WB1-58P	WB1-108P	WB1-208P
Note	thk. 2 mm	thk. 2 mm	thk. 2 mm	thk. 2 mm
Pcs.	28	28	28	28
€/pcs.	€ 7,52	€ 8,97	€ 14,00	€ 25,80



Black pipe

Dim.	250 mm	500 mm	1000 mm	2000 mm
Cod.	WN1-28P	WN1-58P	WN1-108P	WN1-208P
Note	thk. 2 mm	thk. 2 mm	thk. 2 mm	thk. 2 mm
Pcs.	28	28	28	28
€/pcs.	€ 8,76	€ 10,30	€ 16,10	€ 29,60



M/F flexible pipe

Dim.	
Cod.	WBF82P
Note	roll
Pcs.	25
€/pcs.	€ 13,70



M/F flexible pipe

Dim.	
Cod.	WBF80P
Note	roll
Pcs.	50
€/pcs.	€ 13,70



M/F flexible black pipe

Dim.	
Cod.	WNF80P
Note	roll
Pcs.	50
€/pcs.	€ 15,90



Adjustable pipe

Dim.	550 / 900 mm
Cod.	WBF80T
Note	
Pcs.	5
€/pcs.	€ 13,70



Stainless steel security clamp

Dim.	
Cod.	W9-8FX
Note	for flexible pipes
Pcs.	10
€/pcs.	€ 11,40



Stainless steel security clamp

Dim.	
Cod.	W9-8RX
Note	for rigid pipes
Pcs.	10
€/pcs.	€ 12,90



Bend

Dim.	30°
Cod.	WB2-38P
Note	segment bend
Pcs.	10
€/pcs.	€ 10,80



Bend

Dim.	45°
Cod.	WB2-48P
Note	
Pcs.	10
€/pcs.	€ 8,45



Bend

Dim.	93°
Cod.	WB2-98P
Note	
Pcs.	10
€/pcs.	€ 8,76



Bend

Dim.	93°
Cod.	WB2-98PIS
Note	with inspection plug
Pcs.	1
€/pcs.	€ 24,30



Black bend

Dim.	45°
Cod.	WN2-48P
Note	
Pcs.	10
€/pcs.	€ 9,58



Black bend

Dim.	93°
Cod.	WN2-98P
Note	
Pcs.	10
€/pcs.	€ 10,10



Support bend

Dim.	93°
Cod.	WB2-93PSC
Note	
Pcs.	1
€/pcs.	€ 14,50



Bracket

Dim.	350 x 50 mm
Cod.	14-STAF
Note	
Pcs.	1
€/pcs.	€ 18,60



T element

Dim.	h 215 mm
Cod.	WB13-80PMF
Note	
Pcs.	10
€/pcs.	€ 19,10



T element

Dim.	h 250 mm
Cod.	WB13-80PSC
Note	with 1/2"
Pcs.	10
€/pcs.	€ 21,90



Inspection element

Dim.	
Cod.	WB13-80PIS
Note	with expansion plug
Pcs.	10
€/pcs.	€ 29,80



Inspection element

Dim.	
Cod.	WB13-80PPI
Note	with plug and measuring point
Pcs.	10
€/pcs.	€ 34,20



Inspection plug

Dim.	
Cod.	WB12-80P
Note	expansion plug
Pcs.	1
€/pcs.	€ 9,17



Inspection plug

Dim.	
Cod.	WB12-80PF
Note	female
Pcs.	1
€/pcs.	€ 11,00



Condensation drain

Dim.	1/2"
Cod.	WB16-80P
Note	
Pcs.	10
€/pcs.	€ 11,00



Condensation drain

Dim.	1/2"
Cod.	WB16-80PSV
Note	vertical - l 250
Pcs.	10
€/pcs.	€ 24,90



Condensation drain

Dim.	1/2"
Cod.	WB13-80PS0
Note	horizontal - l 215
Pcs.	10
€/pcs.	€ 31,20



Condensation drain

Dim.	1/2"
Cod.	WB16-80PSC
Note	boiler connection
Pcs.	1
€/pcs.	€ 13,10



Reducing adapter

Dim.	Ø 80 F - Ø 100 M
Cod.	WB8-0810P
Note	
Pcs.	1
€/pcs.	€ 31,20



Increasing adapter

Dim.	Ø 80 F - Ø 50 M
Cod.	WB8-85P
Note	vertical
Pcs.	1
€/pcs.	€ 18,50



Increasing adapter

Dim.	Ø 80 F - Ø 60 M
Cod.	WB8-86P
Note	vertical
Pcs.	10
€/pcs.	€ 20,20



Increasing adapter

Dim.	Ø 80 F - Ø 60 M
Cod.	WB8-86PO
Note	horizontal
Pcs.	1
€/pcs.	€ 27,50



EPDM seal

Dim.	
Cod.	W20-80
Note	
Pcs.	10
€/pcs.	€ 1,34



Wall cover

Dim.	
Cod.	9-8
Note	metal
Pcs.	20
€/pcs.	€ 4,20



Wall cover

Dim.	
Cod.	9-86
Note	EPDM
Pcs.	20
€/pcs.	€ 4,00



Wall bracket

Dim.	
Cod.	14-80
Note	
Pcs.	10
€/pcs.	€ 6,70



Bracing bracket

Dim.	Ø 50 - Ø 200
Cod.	WB67-02
Note	ring bracket
Pcs.	4
€/pcs.	€ 8,24



Vertical flue terminal

Dim.	h 204 mm
Cod.	WM45-80P
Note	for flat shaft
Pcs.	1
€/pcs.	€ 34,20



Roof terminal

Dim.	h 1090 mm
Cod.	WM45-810PAB
Note	5° - 30° pitched roof
Pcs.	1
€/pcs.	€ 98,60



Roof terminal

Dim.	h 1000 mm
Cod.	WR45-810PRB
Note	5° - 30° pitched roof
Pcs.	1
€/pcs.	€ 113,00

CLOSE OUT SALE

NEW



Vertical

Dim.	l 390 mm
Cod.	WX45-080
Note	AISI 316 bend - thk. 0,5 mm - with support
Pcs.	1
€/pcs.	€ 79,00



Bracket

Dim.	Ø80 l 390 mm
Cod.	16-STAF
Note	
Pcs.	1
€/pcs.	€ 45,10



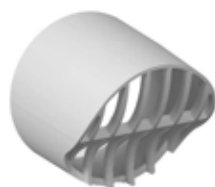
Brown tile

Dim.	500 x 500 mm
Cod.	5-TA
Note	5° - 30° pitched roof
Pcs.	1
€/pcs.	€ 34,50



ABS tile

Dim.	390 x 390 mm
Cod.	N5-TN13
Note	
Pcs.	1
€/pcs.	€ 29,00



Horizontal flue terminal

Dim.	
Cod.	WB10-080
Note	nylon
Pcs.	10
€/pcs.	€ 5,98



Horizontal flue terminal

Dim.	
Cod.	WN10-080
Note	nylon
Pcs.	10
€/pcs.	€ 5,98

NEW



Anti-drip terminal

Dim.	
Cod.	WN10-080AN
Note	pp-male
Pcs.	10
€/pcs.	€ 12,90



Nylon grid

Dim.	
Cod.	10-8
Note	air inlet-female
Pcs.	10
€/pcs.	€ 3,71

NEW



PP grid

Dim.	
Cod.	10-8B
Note	air inlet-female
Pcs.	10
€/pcs.	€ 4,90



Stainless steel grid with rain cover

Dim.	
Cod.	11-080AX
Note	air inlet-female
Pcs.	10
€/pcs.	€ 6,39



Stainless steel grid

Dim.	
Cod.	11-8AX
Note	air inlet-female
Pcs.	10
€/pcs.	€ 5,77



Horizontal flue terminal

Dim.	l 80 mm
Cod.	10-8SX
Note	female
Pcs.	10
€/pcs.	€ 6,39



Horizontal flue terminal

Dim.	l 146 mm
Cod.	10-8SMX
Note	male
Pcs.	4
€/pcs.	€ 13,10



Vertical flue terminal

Dim.	h 89 mm
Cod.	10-8VX
Note	female
Pcs.	10
€/pcs.	€ 24,10



Vertical flue terminal

Dim.	h 152 mm
Cod.	6-8CX
Note	male
Pcs.	5
€/pcs.	€ 28,40



Roof terminal

Dim.	390 x 390 mm - H 630 mm
Cod.	WN45-080PT
Note	
Pcs.	1
€/pcs.	€ 63,10



Vertical flue terminal

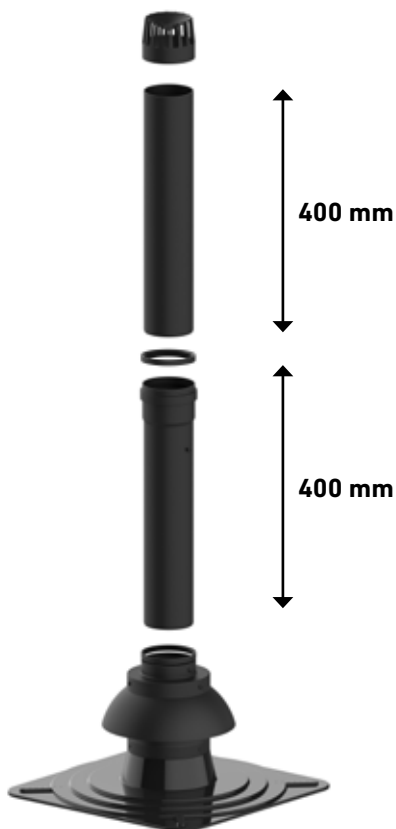
Dim.	390 x 390 mm - H 630 mm
Cod.	WN45-080PR
Note	Renovation kit
Pcs.	1
€/pcs.	€ 138,00

Ø 80

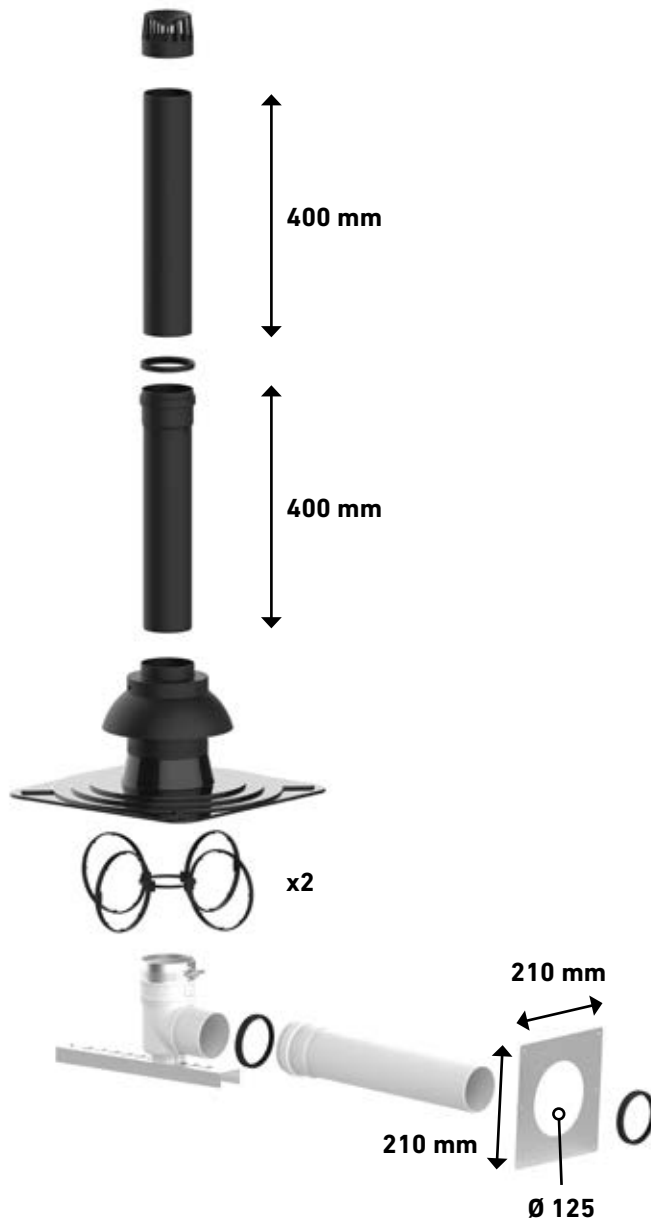
SINGLE WALL POLYPROPYLENE

POLYPROPYLENE

WN45-080PT kit content



WN45-080PR kit content



W9-8FX



W9-8RX



W9-8RX



See page 119



Pipe

Dim.	250 mm	500 mm	1000 mm	2000 mm
Cod.	WB1-2100P	WB1-5100P	WB1-10100P	WB1-20100P
Note	thk. 2 mm	thk. 2 mm	thk. 2 mm	thk. 2 mm
Pcs.	6	6	6	4
€/pcs.	€ 9,89	€ 13,70	€ 21,70	€ 39,00



M/F flexible pipe

Dim.	
Cod.	WBF100P
Note	roll
Pcs.	25
€/pcs.	€ 20,40



Adjustable pipe

Dim.	550 / 900 mm
Cod.	WBF100T
Note	
Pcs.	5
€/pcs.	€ 20,40



Stainless steel security clamp

Dim.	
Cod.	W9-10FX
Note	for flexible pipes
Pcs.	10
€/pcs.	€ 5,26



Bend

Dim.	30°
Cod.	WB2-3100P
Note	segment bend
Pcs.	10
€/pcs.	€ 12,90



Bend

Dim.	45°
Cod.	WB2-4100P
Note	
Pcs.	10
€/pcs.	€ 10,80



Bend

Dim.	93°
Cod.	WB2-9100P
Note	
Pcs.	10
€/pcs.	€ 11,00



Bend

Dim.	93°
Cod.	WB2-9100PIS
Note	with inspection plug
Pcs.	1
€/pcs.	€ 29,40



Support bend

Dim.	93°
Cod.	WB2-9100PSC
Note	
Pcs.	1
€/pcs.	€ 21,90



Bracket

Dim.	350 x 50 mm
Cod.	14-STAF
Note	
Pcs.	1
€/pcs.	€ 18,60



T element

Dim.	h 230 mm
Cod.	WB13-100PMF
Note	
Pcs.	10
€/pcs.	€ 30,70



T element

Dim.	h 326 mm - reduced Ø 80
Cod.	WB13-1008PMF
Note	
Pcs.	10
€/pcs.	€ 33,20



Inspection plug

Dim.	
Cod.	WB12-100PF
Note	female
Pcs.	1
€/pcs.	€ 15,10



Condensation drain

Dim.	1/2"
Cod.	WB16-100P
Note	vertical
Pcs.	1
€/pcs.	€ 18,50



Condensation drain

Dim.	1/2"
Cod.	WB16-100PSV
Note	vertical - l 250
Pcs.	1
€/pcs.	€ 34,00



Condensation drain

Dim.	1/2"
Cod.	WB13-100PSO
Note	horizontal
Pcs.	1
€/pcs.	€ 35,50



Condensation drain

Dim.	1/2"
Cod.	WB16-100PSC
Note	boiler connection
Pcs.	1
€/pcs.	€ 22,50



Reducing adapter

Dim.	Ø 100 F - Ø 110 M (l 85 mm)
Cod.	WB8-1011P
Note	
Pcs.	1
€/pcs.	€ 34,20



Increasing adapter

Dim.	Ø 100 F - Ø 80 M
Cod.	WB8-1008P
Note	vertical
Pcs.	1
€/pcs.	€ 25,80



Increasing adapter

Dim.	Ø 100 F - Ø 80 M
Cod.	WB8-1008PO
Note	horizontal
Pcs.	1
€/pcs.	€ 35,00



EPDM seal

Dim.	
Cod.	W20-100
Note	
Pcs.	10
€/pcs.	€ 1,65



Wall cover

Dim.	
Cod.	9-10
Note	metal
Pcs.	20
€/pcs.	€ 5,57



Wall cover

Dim.	
Cod.	9-106
Note	EPDM
Pcs.	20
€/pcs.	€ 5,36



Wall bracket

Dim.	
Cod.	14-100
Note	
Pcs.	10
€/pcs.	€ 7,98



Bracing bracket

Dim.	Ø 50 - Ø 200
Cod.	WB67-02
Note	ring bracket
Pcs.	4
€/pcs.	€ 8,24



Vertical flue terminal

Dim.	l 204 mm
Cod.	WM45-100P
Note	for flat shaft
Pcs.	1
€/pcs.	€ 45,60



Roof terminal

Dim.	h 1100 mm
Cod.	WM45-100PAB
Note	5° - 30° pitched roof
Pcs.	1
€/pcs.	€ 100,00



Brown tile

Dim.	500 x 500 mm
Cod.	5-TA
Note	5° - 30° pitched roof
Pcs.	1
€/pcs.	€ 34,50



ABS tile

Dim.	390 x 390 mm
Cod.	N5-TN13
Note	
Pcs.	1
€/pcs.	€ 29,00



Stainless steel grid with rain cover

Dim.	
Cod.	11-100AX
Note	air inlet-female
Pcs.	10
€/pcs.	€ 7,88



Stainless steel grid

Dim.	
Cod.	11-10AX
Note	air inlet-female
Pcs.	10
€/pcs.	€ 7,46



Horizontal flue terminal

Dim.	l 80 mm
Cod.	10-10SX
Note	female
Pcs.	10
€/pcs.	€ 7,98



Vertical flue terminal

Dim.	h 76 mm
Cod.	10-10VX
Note	female
Pcs.	10
€/pcs.	€ 27,80



Vertical flue terminal

Dim.	h 154 mm
Cod.	6-10CX
Note	male
Pcs.	3
€/pcs.	€ 32,20



Pipe

Dim.	250 mm	500 mm	1000 mm	2000 mm	
Cod.	WB1-2110P	WB1-5110P	WB1-10110P	WB1-20110P	
Note	thk. 2,7 mm	thk. 2,7 mm	thk. 2,7 mm	thk. 2,7 mm	
Pcs.	6	6	6	4	
€/pcs.	€ 10,50	€ 15,10	€ 23,90	€ 42,80	



M/F flexible pipe

Dim.	
Cod.	WBF110P
Note	roll
Pcs.	25
€/pcs.	€ 23,60



Adjustable pipe

Dim.	550 / 900 mm
Cod.	WBF110T
Note	
Pcs.	5
€/pcs.	€ 23,60



Stainless steel security clamp

Dim.	
Cod.	W9-11FX
Note	for flexible pipes
Pcs.	10
€/pcs.	€ 11,80



Bend

Dim.	30°
Cod.	WB2-3110P
Note	segment bend
Pcs.	1
€/pcs.	€ 14,40



Bend

Dim.	45°
Cod.	WB2-4110P
Note	
Pcs.	1
€/pcs.	€ 11,40



Bend

Dim.	93°
Cod.	WB2-9110P
Note	
Pcs.	1
€/pcs.	€ 11,60



Bend

Dim.	93°
Cod.	WB2-9110PIS
Note	with inspection plug
Pcs.	1
€/pcs.	€ 31,20



Support bend

Dim.	93°
Cod.	WB2-9110PSC
Note	
Pcs.	1
€/pcs.	€ 23,00



Bracket

Dim.	350 x 50 mm
Cod.	14-STAF
Note	
Pcs.	1
€/pcs.	€ 18,60



T element

Dim.	h 245 mm
Cod.	WB13-110PMF
Note	
Pcs.	1
€/pcs.	€ 32,30



T element

Dim.	h 250 mm - reduced Ø 80
Cod.	WB13-1108PMF
Note	
Pcs.	1
€/pcs.	€ 34,60



Inspection plug

Dim.	
Cod.	WB12-110P
Note	male
Pcs.	1
€/pcs.	€ 12,70



Inspection plug

Dim.	
Cod.	WB12-110PF
Note	female
Pcs.	1
€/pcs.	€ 15,90



Condensation drain

Dim.	1/2"
Cod.	WB16-110P
Note	vertical
Pcs.	1
€/pcs.	€ 21,70



Condensation drain

Dim.	1/2"
Cod.	WB16-110PSV
Note	vertical - l 250
Pcs.	1
€/pcs.	€ 36,30



Condensation drain

Dim.	1/2"
Cod.	WB13-110PSO
Note	horizontal
Pcs.	1
€/pcs.	€ 37,00



Condensation drain

Dim.	1/2"
Cod.	WB16-110PSC
Note	boiler connection
Pcs.	1
€/pcs.	€ 23,90



Increasing adapter

Dim.	Ø 110 F - Ø 80 M
Cod.	WB8-1108P
Note	vertical
Pcs.	1
€/pcs.	€ 27,30



Increasing adapter

Dim.	Ø 110 F - Ø 100 M
Cod.	WB8-1110P
Note	vertical
Pcs.	1
€/pcs.	€ 30,70



Increasing adapter

Dim.	Ø 110 F - Ø 80 M
Cod.	WB8-1108PO
Note	horizontal
Pcs.	1
€/pcs.	€ 38,70



Increasing adapter

Dim.	Ø 110 F - Ø 100 M
Cod.	WB8-1110PO
Note	horizontal
Pcs.	1
€/pcs.	€ 41,40



EPDM seal

Dim.	
Cod.	W20-110
Note	
Pcs.	10
€/pcs.	€ 1,86



Wall cover

Dim.	
Cod.	9-11
Note	metal
Pcs.	20
€/pcs.	€ 5,77



Wall cover

Dim.	
Cod.	9-116
Note	EPDM
Pcs.	20
€/pcs.	€ 5,77



Wall bracket

Dim.	
Cod.	14-110
Note	
Pcs.	10
€/pcs.	€ 8,45



Bracing bracket

Dim.	Ø 50 - Ø 200
Cod.	WB67-02
Note	ring bracket
Pcs.	4
€/pcs.	€ 8,24



Vertical flue terminal

Dim.	h 245 mm
Cod.	WM45-110P
Note	for flat shaft
Pcs.	1
€/pcs.	€ 52,00



Roof terminal

Dim.	h 776 mm
Cod.	WM45-110PAB
Note	5° - 30° pitched roof
Pcs.	1
€/pcs.	€ 104,00



Brown tile

Dim.	500 x 500 mm
Cod.	5-TA
Note	5° - 30° pitched roof
Pcs.	1
€/pcs.	€ 34,50



ABS tile

Dim.	390 x 390 mm
Cod.	N5-TN13
Note	
Pcs.	1
€/pcs.	€ 29,00



Pipe

Dim.	250 mm	500 mm	1000 mm	2000 mm
Cod.	WB1-2125P	WB1-5125P	WB1-10125P	WB1-20125P
Note	thk. 3,1 mm	thk. 3,1 mm	thk. 3,1 mm	thk. 3,1 mm
Pcs.	6	6	6	4
€/pcs.	€ 14,00	€ 20,40	€ 33,80	€ 61,20



M/F flexible pipe

Dim.	
Cod.	WBF125P
Note	roll
Pcs.	25
€/pcs.	€ 31,20



Adjustable pipe

Dim.	550 / 900 mm
Cod.	WBF125T
Note	
Pcs.	5
€/pcs.	€ 31,20



Stainless steel security clamp

Dim.	
Cod.	W9-12FX
Note	for flexible pipes
Pcs.	10
€/pcs.	€ 13,70



Bend

Dim.	30°
Cod.	WB2-3125P
Note	segment bend
Pcs.	1
€/pcs.	€ 26,00



Bend

Dim.	45°
Cod.	WB2-4125P
Note	
Pcs.	1
€/pcs.	€ 21,90



Bend

Dim.	93°
Cod.	WB2-9125P
Note	
Pcs.	1
€/pcs.	€ 22,70



Bend

Dim.	93°
Cod.	WB2-9125PIS
Note	with inspection plug
Pcs.	1
€/pcs.	€ 35,30



Support bend

Dim.	93°
Cod.	WB2-9125PSC
Note	
Pcs.	1
€/pcs.	€ 34,00



Bracket

Dim.	350 x 50 mm
Cod.	14-STAF
Note	
Pcs.	1
€/pcs.	€ 18,60



T element

Dim.	h 325 mm
Cod.	WB13-125PMF
Note	
Pcs.	1
€/pcs.	€ 42,60



T element

Dim.	h 250 mm - reduced Ø 80
Cod.	WB13-1258PMF
Note	
Pcs.	1
€/pcs.	€ 45,60



Inspection plug

Dim.	
Cod.	WB12-125P
Note	male
Pcs.	1
€/pcs.	€ 20,70



Inspection plug

Dim.	
Cod.	WB12-125PF
Note	female
Pcs.	1
€/pcs.	€ 26,80



Condensation drain

Dim.	1/2"
Cod.	WB16-125P
Note	vertical
Pcs.	1
€/pcs.	€ 30,70



Condensation drain

Dim.	1/2"
Cod.	WB16-125PSV
Note	vertical - l 250
Pcs.	1
€/pcs.	€ 45,40



Condensation drain

Dim.	1/2"
Cod.	WB13-125PSO
Note	horizontal
Pcs.	1
€/pcs.	€ 47,30



Condensation drain

Dim.	1/2"
Cod.	WB16-125PSC
Note	boiler connection
Pcs.	1
€/pcs.	€ 33,80



Increasing adapter

Dim.	Ø 125 F - Ø 80 M
Cod.	WB8-1208P
Note	vertical
Pcs.	1
€/pcs.	€ 31,40



Increasing adapter

Dim.	Ø 125 F - Ø 100 M
Cod.	WB8-1210P
Note	vertical
Pcs.	1
€/pcs.	€ 32,30



Increasing adapter

Dim.	Ø 125 F - Ø 110 M
Cod.	WB8-1211P
Note	vertical
Pcs.	1
€/pcs.	€ 33,00



Increasing adapter

Dim.	Ø 125 F - Ø 80 M
Cod.	WB8-1208PO
Note	horizontal
Pcs.	1
€/pcs.	€ 46,20



Increasing adapter

Dim.	Ø 125 F - Ø 100 M
Cod.	WB8-1210PO
Note	horizontal
Pcs.	1
€/pcs.	€ 47,30



Increasing adapter

Dim.	Ø 125 F - Ø 110 M
Cod.	WB8-1211PO
Note	horizontal
Pcs.	1
€/pcs.	€ 47,90



EPDM seal

Dim.	
Cod.	W20-125
Note	
Pcs.	10
€/pcs.	€ 2,06



Wall cover

Dim.	
Cod.	9-125
Note	metal
Pcs.	20
€/pcs.	€ 5,98



Wall cover

Dim.	
Cod.	9-126
Note	EPDM
Pcs.	20
€/pcs.	€ 5,98



Wall bracket

Dim.	
Cod.	14-125
Note	
Pcs.	10
€/pcs.	€ 9,89



Bracing bracket

Dim.	Ø 50 - Ø 200
Cod.	WB67-02
Note	ring bracket
Pcs.	4
€/pcs.	€ 8,24



Vertical flue terminal

Dim.	h 231 mm
Cod.	WM45-125P
Note	for flat shaft
Pcs.	1
€/pcs.	€ 62,50



Roof terminal

Dim.	h 776 mm
Cod.	WM45-125PAB
Note	5° - 30° pitched roof
Pcs.	1
€/pcs.	€ 112,00



Vertical flue terminal

Dim.	h 1000 mm
Cod.	WN45-125P
Note	5° - 50° pitched roof
Pcs.	1
€/pcs.	€ 102,00



Brown tile

Dim.	500 x 500 mm
Cod.	5-TA
Note	5° - 30° pitched roof
Pcs.	1
€/pcs.	€ 34,50



ABS tile

Dim.	390 x 390 mm
Cod.	N5-TN13
Note	
Pcs.	1
€/pcs.	€ 29,00



Black tile










Dim.	500 x 500 mm
Cod.	N5-TA
Note	5° - 30° pitched roof
Pcs.	1
€/pcs.	€ 32,30



Black tile

Dim.	450 x 450 mm
Cod.	N5-TA50
Note	25° - 50° pitched roof
Pcs.	1
€/pcs.	€ 47,10

Terminal-tile compatibility table

 WM45-125P	 WM45-125PAB	 WN45-125P
 N5-TN13	 N5-TN13	 N5-TA
 5-TA	 5-TA	 N5-TA50



Cod	Load	Max height							
		Ø 50	Ø 60	Ø 80	Ø 100	Ø 110	Ø 125	Ø 160	Ø 200
14-STAF	60 Kg	220 m	185 m	120 m	75 m	65 m	50 m	30 m	20 m



Pipe

Dim.	330 mm	500 mm	1000 mm	2000 mm	
Cod.	WB1-2160P	WB1-5160P	WB1-10160P	WB1-20160P	
Note	thk. 3,9 mm	thk. 3,9 mm	thk. 3,9 mm	thk. 3,9 mm	
Pcs.	6	6	6	4	
€/pcs.	€ 19,50	€ 29,10	€ 45,60	€ 79,10	



Flexible pipe

Dim.	
Cod.	WBF160P
Note	roll
Pcs.	25
€/pcs.	€ 49,40



Bend

Dim.	30°
Cod.	WB2-3160P
Note	segment bend
Pcs.	1
€/pcs.	€ 44,50



Bend

Dim.	45°
Cod.	WB2-4160P
Note	
Pcs.	1
€/pcs.	€ 39,70



Bend

Dim.	93°
Cod.	WB2-9160P
Note	
Pcs.	1
€/pcs.	€ 40,60



Bend

Dim.	93°
Cod.	WB2-9160PIS
Note	with inspection plug
Pcs.	1
€/pcs.	€ 47,50



Support bend

Dim.	93°
Cod.	WB2-9160PSC
Note	
Pcs.	1
€/pcs.	€ 51,80



Bracket

Dim.	350 x 50 mm
Cod.	14-STAF
Note	
Pcs.	1
€/pcs.	€ 18,60



T element

Dim.	h 326 mm
Cod.	WB13-160PMF
Note	
Pcs.	1
€/pcs.	€ 72,20



T element

Dim.	h 325 mm - reduced Ø 80
Cod.	WB13-1608PMF
Note	
Pcs.	1
€/pcs.	€ 74,60



Inspection plug

Dim.	
Cod.	WB12-160PF
Note	female
Pcs.	1
€/pcs.	€ 31,80



Condensation drain

Dim.	1/2"
Cod.	WB16-160P
Note	vertical
Pcs.	1
€/pcs.	€ 47,30



Condensation drain

Dim.	1/2"
Cod.	WB16-160PSV
Note	vertical - l 330
Pcs.	1
€/pcs.	€ 74,80



Condensation drain

Dim.	1/2"
Cod.	WB13-160PSO
Note	horizontal
Pcs.	1
€/pcs.	€ 82,10



Condensation drain

Dim.	1/2"
Cod.	WB16-160PSC
Note	
Pcs.	1
€/pcs.	€ 52,00



Increasing adapter

Dim.	Ø 160 F - Ø 125 M
Cod.	WB8-1612P
Note	vertical
Pcs.	1
€/pcs.	€ 47,30



Increasing adapter

Dim.	Ø 160 F - Ø 80 M
Cod.	WB8-1608PO
Note	horizontal
Pcs.	1
€/pcs.	€ 60,00



Increasing adapter

Dim.	Ø 160 F - Ø 100 M
Cod.	WB8-1610PO
Note	horizontal
Pcs.	1
€/pcs.	€ 61,20



Increasing adapter

Dim.	Ø 160 F - Ø 110 M
Cod.	WB8-1611PO
Note	horizontal
Pcs.	1
€/pcs.	€ 62,50



Increasing adapter

Dim.	Ø 160 F - Ø 125 M
Cod.	WB8-1612PO
Note	horizontal
Pcs.	1
€/pcs.	€ 63,10



EPDM seal

Dim.	
Cod.	W20-160
Note	for rigid
Pcs.	10
€/pcs.	€ 2,48



EPDM seal

Dim.	
Cod.	W20-160F
Note	for flexible
Pcs.	10
€/pcs.	€ 2,48



Wall bracket

Dim.	
Cod.	COL160
Note	inox
Pcs.	1
€/pcs.	€ 34,20



Bracing bracket

Dim.	Ø 50 - Ø 200
Cod.	WB67-02
Note	ring bracket
Pcs.	4
€/pcs.	€ 8,24



Roof terminal

Dim.	h 1200 mm
Cod.	WM45-160PXB
Note	5° - 30° pitched roof
Pcs.	1
€/pcs.	€ 182,00



Brown tile

Dim.	500 x 500 mm
Cod.	M5-T16
Note	5° - 30° pitched roof
Pcs.	1
€/pcs.	€ 36,70



Pipe

Dim.	330 mm	500 mm	1000 mm	2000 mm
Cod.	WB1-2200P	WB1-5200P	WB1-10200P	WB1-20200P
Note	thk. 4,9 mm	thk. 4,9 mm	thk. 4,9 mm	thk. 4,9 mm
Pcs.	4	4	4	2
€/pcs.	€ 25,50	€ 42,00	€ 56,30	€ 93,10



Bend

Dim.	30°
Cod.	WB2-3200P
Note	segment bend
Pcs.	1
€/pcs.	€ 65,30



Bend

Dim.	45°
Cod.	WB2-4200P
Note	segment bend
Pcs.	1
€/pcs.	€ 66,70



Bend

Dim.	93°
Cod.	WB2-9200P
Note	
Pcs.	1
€/pcs.	€ 74,10



Bend

Dim.	93°
Cod.	WB2-9200PIS
Note	with inspection plug
Pcs.	1
€/pcs.	€ 80,90



Support bend

Dim.	93°
Cod.	WB2-9200PSC
Note	
Pcs.	1
€/pcs.	€ 85,30



Bracket

Dim.	350 x 50 mm
Cod.	14-STAF
Note	
Pcs.	1
€/pcs.	€ 18,60



T element

Dim.	h 366 mm
Cod.	WB13-200PMF
Note	
Pcs.	1
€/pcs.	€ 109,00



T element

Dim.	h 366 mm - reduced Ø 80
Cod.	WB13-2008PMF
Note	
Pcs.	1
€/pcs.	€ 112,00



Inspection plug

Dim.	
Cod.	WB12-200PF
Note	female
Pcs.	1
€/pcs.	€ 37,20



Condensation drain

Dim.	1/2"
Cod.	WB16-200P
Note	vertical
Pcs.	1
€/pcs.	€ 60,00



Condensation drain

Dim.	1/2"
Cod.	WB16-200PSV
Note	vertical - l 330
Pcs.	1
€/pcs.	€ 91,50



Condensation drain

Dim.	1/2"
Cod.	WB13-200PSO
Note	horizontal
Pcs.	1
€/pcs.	€ 100,00



Condensation drain

Dim.	1/2"
Cod.	WB16-200PSC
Note	boiler connection
Pcs.	1
€/pcs.	€ 66,20



Increasing adapter

Dim.	Ø 200 F - Ø 160 M
Cod.	WB8-2016P
Note	vertical
Pcs.	1
€/pcs.	€ 60,00



Increasing adapter

Dim.	Ø 200 F - Ø 80 M
Cod.	WB8-2008PO
Note	horizontal
Pcs.	1
€/pcs.	€ 73,10



Increasing adapter

Dim.	Ø 200 F - Ø 100 M
Cod.	WB8-2010PO
Note	horizontal
Pcs.	1
€/pcs.	€ 74,10



Increasing adapter

Dim.	Ø 200 F - Ø 110 M
Cod.	WB8-2011PO
Note	horizontal
Pcs.	1
€/pcs.	€ 74,30



Increasing adapter

Dim.	Ø 200 F - Ø 125 M
Cod.	WB8-2012PO
Note	horizontal
Pcs.	1
€/pcs.	€ 75,00



Increasing adapter

Dim.	Ø 200 F - Ø 160 M
Cod.	WB8-2016PO
Note	horizontal
Pcs.	1
€/pcs.	€ 76,60



EPDM seal

Dim.	
Cod.	W20-200
Note	
Pcs.	10
€/pcs.	€ 3,20



Wall bracket

Dim.	
Cod.	COL200
Note	inox
Pcs.	1
€/pcs.	€ 37,20



Bracing bracket

Dim.	Ø 50 - Ø 200
Cod.	WB67-02
Note	ring bracket
Pcs.	4
€/pcs.	€ 8,24



Roof terminal

Dim.	h 728 mm
Cod.	WM45-200PXB
Note	5° - 30° pitched roof
Pcs.	1
€/pcs.	€ 190,00



Brown tile

Dim.	500 x 500 mm
Cod.	M5-T20
Note	5° - 30° pitched roof
Pcs.	1
€/pcs.	€ 43,30



Drain-trap

Dim.	h 241 mm
Cod.	WB16-SIF
Note	
Pcs.	1
€/pcs.	€ 26,50



Flue sampling

Dim.	Ø 12
Cod.	W67-10P
Note	
Pcs.	20
€/pcs.	€ 2,90



Hose for condensation drain

Dim.	Ø 20 mm
Cod.	WBFPSC
Note	
Pcs.	50
€/pcs.	€ 3,20



Lubricant

Dim.	
Cod.	W16-SCV
Note	250 ml
Pcs.	1
€/pcs.	€ 6,50

COMPATIBILITY TABLE

Boiler adapters



Boiler	Twin wall system PP	Vertical adapter PP/PP	Bend adapter PP/PP	Bend adapter PP/ALU	Splitter PP/PP
	Pag. 147	Pag. 146-147	Pag. 145-146	Pag. 150	Pag. 147-148
Argo		WBPP61002	WBPPCUR61002	WBCUR61002	
Ariston-Chaffoteaux	WB3-88M	WBPP61001	WBPPCUR61001	WBCUR61001	
Baltur		WBPP61008	WBPPCUR61008		WBPPSDC61001
Baxi	WB3-880	WBPP61002	WBPPCUR61002	WBCUR61002	WBPPSDC61003
Beretta	WB3-88U ⁽⁷⁾ WB3-88V ⁽¹⁾	WBPP61001	WBPPCUR61001	WBCUR61001	WBPPSDC61002
Biasi	WB3-88A	WBPP61003	WBPPCUR61003	WBCUR61003	WBPPSDC61001
Bongioanni	WB3-88A				
Buderus					WBPPSDC61004
Elm Leblanc					WBPPSDC61004
Ferrol	WB3-88A	WBPP61003	WBPPCUR61003	WBCUR61003	WBPPSDC61001
Fondital	WB3-880	WBPP61003	WBPPCUR61003	WBCUR61003	WBPPSDC61001
Hermann	WB3-88A				WBPPSDC61005
Immergas	WB3-88I	WBPP61004 WBPP610010	WBPPCUR61004		WBPP61004 + WBPPSDC61003
Italtherm	WB3-88A	WBPP61008	WBPPCUR61008		WBPPSDC61001
Junkers – Bosch		WBPP61005 WBPP81205 (pag.152)	WBPPCUR61005		WBPPSDC61004
Nova Florida		WBPP61003	WBPPCUR61003	WBCUR61003	
Radiant	WB3-88R	WBPP61007	WBPPCUR61007		WBPPSDC61001
Riello	WB3-88U ⁽³⁾ WB3-88V ⁽⁴⁾ WB3-88Z ⁽⁵⁾	WBPP61001	WBPPCUR61001	WBCUR61001	WBPPSDC61002
Roca	WB3-880	WBPP61002	WBPPCUR61002	WBCUR61002	
Savio	WB3-88A	WBPP61003	WBPPCUR61003	WBCUR61003	WBPPSDC61001
Saunier Duval	WB3-88A				WBPPSDC61005
Sime	WB3-88A	WBPP61009	WBPPCUR61009		WBPPSDC61001
Sylber	WB3-88U ⁽²⁾ WB3-88V ⁽⁶⁾				WBPPSDC61002
Unical	WB3-88A	WBPP61006	WBPPCUR61006		WBPPSDC61001
Vaillant		WBPP61001	WBPPCUR61001	WBCUR61001	
Viessmann		WBPP61002	WBPPCUR61002	WBCUR61002	WBPPSDC61003

(1) Adaptable to models: Exclusive X, Minute X, Minute X Box, Ciao X

(2) Adaptable to models: Linea Condensing B, Aerea Condensing

(3) Adaptable to models: Family Acqua Condens, Residence Externa Condens, Residence in Hybrid, residence Hybrid, Start Acqua condens, In Condens Solar, In Hybrid Evo

(4) Adaptable to models: Family, Family external, Residence , Residence In, Start

(5) Adaptable to models: Family Aqua Condens, Start Acqua Condens, In Condens Solar, In Hybrid Evo

(6) Adaptable to models: Linea, Conika K, Style

(7) Adaptable to models: Exclusive Boiler Green He, Mynute Boiler Green, Green He

CONCENTRIC PP/PP

Available diametres

Ø 60/100

Documentation



DoP

get.atimariani.it/dop/DOP25.pdf



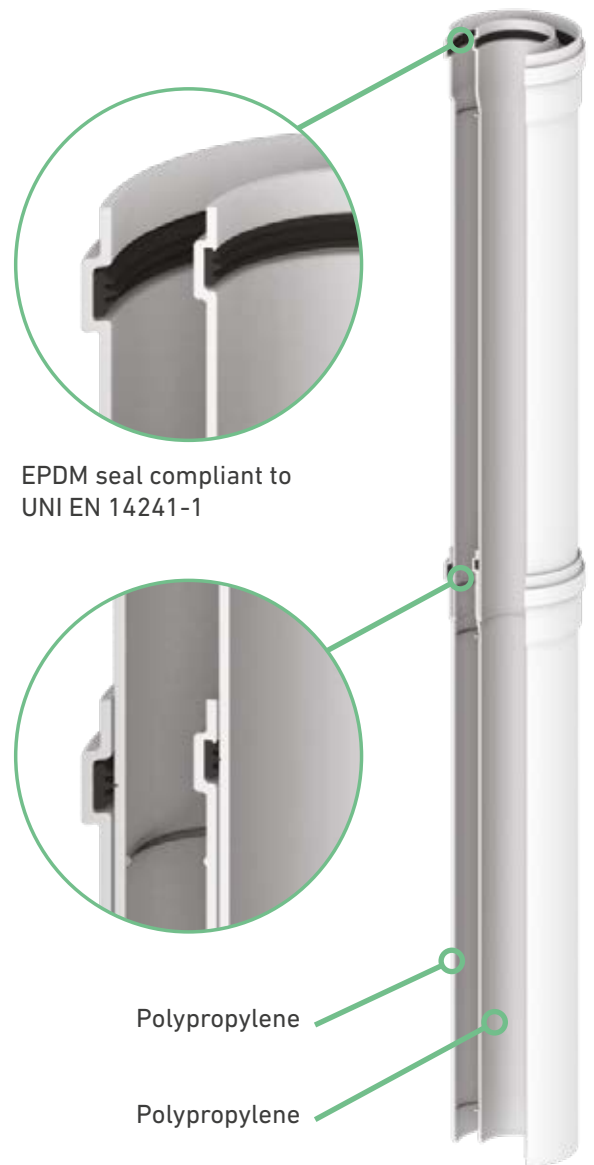
Instruction manual

get.atimariani.it/man/MANUT-PP-004.pdf



Catalogue section

get.atimariani.it/engcat/PP-PP-CO.pdf



Applications



Indoor installation



Condensing devices

POLYPROPYLENE



Product designation according to EN 14471

Concentric rigid system chimney with plastic flue liner.							
Temperature	Pressure	Condensate	Corrosion	Distance from combustible mat.	Location	Reaction to fire	Protection
T120 max 120 °C	P1 200 Pa	W Wet utilization	2 Gaseous / liquid fuels	010 10 mm	LI Indoor only	E Poor fire reaction properties	U1 No protection



Extension

Dim.	250 mm	500 mm	1000 mm	2000 mm
Cod.	WBPP610025	WBPP610050	WBPP610100	WBPP610200
Note				
Pcs.	1	1	1	1
€/pcs.	€ 10,20	€ 15,80	€ 21,80	€ 38,70



Inspection element

Dim.	h 250 mm
Cod.	WBPPIS610
Note	
Pcs.	1
€/pcs.	€ 35,40



Bend

Dim.	45°
Cod.	WBPP61045
Note	
Pcs.	1
€/pcs.	€ 17,40



Bend

Dim.	93°
Cod.	WBPP61090
Note	
Pcs.	1
€/pcs.	€ 18,20



Bend adapter

Dim.	
Cod.	WBPPCUR61001
Note	Ariston-Chaffoteaux - Beretta - Riello - Vaillant
Pcs.	1
€/pcs.	€ 24,10



Bend adapter

Dim.	
Cod.	WBPPCUR61002
Note	Argo - Baxi - Roca - Viessman
Pcs.	1
€/pcs.	€ 21,80



Bend adapter

Dim.	
Cod.	WBPPCUR61003
Note	Biasi - Ferroli - Fondital - Nova Florida - Savio
Pcs.	1
€/pcs.	€ 25,30



Bend adapter

Dim.	
Cod.	WBPPCUR61004
Note	Immergas
Pcs.	1
€/pcs.	€ 24,10



Bend adapter

Dim.	
Cod.	WBPPCUR61005
Note	Junkers-Bosch
Pcs.	1
€/pcs.	€ 39,60



Bend adapter

Dim.	
Cod.	WBPPCUR61006
Note	Unical
Pcs.	1
€/pcs.	€ 25,30



Bend adapter

Dim.	
Cod.	WBPPCUR61007
Note	Radiant
Pcs.	1
€/pcs.	€ 25,30



Bend adapter

Dim.	
Cod.	WBPPCUR61008
Note	Italtherm - Baltur
Pcs.	1
€/pcs.	€ 24,10



Bend adapter

Dim.	
Cod.	WBPPCUR61009
Note	Sime
Pcs.	1
€/pcs.	€ 25,30



Horizontal flue terminal

Dim.	l 850 mm
Cod.	WBTPP610
Note	with black terminal
Pcs.	1
€/pcs.	€ 27,10



Vertical adapter

Dim.	
Cod.	WBPP61001
Note	Ariston-Chaffoteaux, Beretta, Riello, Vaillant
Pcs.	1
€/pcs.	€ 24,10



Vertical adapter

Dim.	
Cod.	WBPP61002
Note	Argo, Baxi, Roca, Viessmann
Pcs.	1
€/pcs.	€ 24,10



Vertical adapter

Dim.	
Cod.	WBPP61003
Note	Biasi, Ferroli, Fondital, Nova Florida, Savio
Pcs.	1
€/pcs.	€ 24,10



Vertical adapter

Dim.	
Cod.	WBPP61004
Note	Immergas
Pcs.	1
€/pcs.	€ 24,10



Vertical adapter

Dim.	
Cod.	WBPP61005
Note	Junkers - Bosch
Pcs.	1
€/pcs.	€ 24,10



Vertical adapter

Dim.	
Cod.	WBPP61006
Note	Unical
Pcs.	1
€/pcs.	€ 24,10



Vertical adapter

Dim.	
Cod.	WBPP61007
Note	Radiant
Pcs.	1
€/pcs.	€ 24,10



Vertical adapter

Dim.	
Cod.	WBPP61008
Note	Italtherm - Baltur
Pcs.	1
€/pcs.	€ 24,10



Vertical adapter

Dim.	
Cod.	WBPP61009
Note	Sime
Pcs.	1
€/pcs.	€ 24,10



Vertical adapter

Dim.	Ø 60/100 - Ø 80/125
Cod.	WBPP61010
Note	Immergas
Pcs.	1
€/pcs.	€ 39,60



Flange

Dim.	Ø 60-100
Cod.	WBFLA610
Note	with screws
Pcs.	1
€/pcs.	€ 6,20



Twin wall system

Dim.	d.60 h.25
Cod.	WB3-88A
Note	Biasi-Bongioanni-Ferrolì-Hermann-Italtherm-Saunier Duval-Savio-Sime-Unical
Pcs.	1
€/pcs.	€ 16,00



Twin wall system

Dim.	
Cod.	WB3-88I
Note	Immergas
Pcs.	1
€/pcs.	€ 16,00



Twin wall system

Dim.	
Cod.	WB3-88O
Note	Baxi-Fondital-Roca
Pcs.	1
€/pcs.	€ 16,00



Twin wall system

Dim.	
Cod.	WB3-88M
Note	Ariston-Chaffoteaux
Pcs.	1
€/pcs.	€ 14,50



Twin wall system

Dim.	
Cod.	WB3-88R
Note	Radiant
Pcs.	1
€/pcs.	€ 16,00



Twin wall system

Dim.	
Cod.	WB3-88U
Note	Riello-Sylber-Beretta modelli ante giugno 2023
Pcs.	1
€/pcs.	€ 23,80



Adapter

Dim.	Ø 60-100 / Ø80/80
Cod.	WBPPSDC61001
Note	Ferrolì - Baltur - Biasi - Savio - Unical - Sime - Fondital - Italtherm - Radiant
Pcs.	1
€/pcs.	€ 30,00



Twin wall system

Dim.	
Cod.	WB3-88V
Note	Riello-Sylber-Beretta
Pcs.	1
€/pcs.	€ 21,60



Twin wall system

Dim.	
Cod.	WB3-88Z
Note	Riello
Pcs.	1
€/pcs.	€ 21,60

NEW



Adapter

Dim.	Ø 60-100 / Ø80/80
Cod.	WBPPSDC61002
Note	Riello-Sylber-Beretta
Pcs.	1
€/pcs.	€ 29,00

NEW



Adapter

Dim.	Ø 60-100 / Ø80/80
Cod.	WBPPSDC61003
Note	Baxi - Viessmann
Pcs.	1
€/pcs.	€ 24,00

NEW



Adapter

Dim.	Ø 60-100 / Ø80/80
Cod.	WBPPSDC61004
Note	Bosch - Junkers - Elm Leblanc - Buderus
Pcs.	1
€/pcs.	€ 34,70

NEW



Adapter

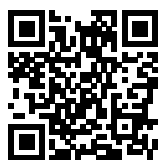
Dim.	Ø 60-100 / Ø80/80
Cod.	WBPPSDC61005
Note	Saunier Duval - Herрман
Pcs.	1
€/pcs.	€ 33,70

CONCENTRIC PP/ALUMINIUM

Available diametres

Ø 60/100 - Ø 80/125

Documentation



DoP

get.atimariani.it/dop/DOP01.pdf



Instruction manual

get.atimariani.it/man/MANUT-PP-002.pdf



Catalogue section

get.atimariani.it/engcat/PP-ALU-CO.pdf

Applications



Indoor
installation



Condensing
devices



EPDM seal compliant to
UNI EN 14241-1

RAL 9003
White aluminium

Polypropylene



Product designation according to EN 14471

Concentric rigid system chimney with plastic flue liner.							
Temperature	Pressure	Condensate	Corrosion	Distance from combustible mat.	Location	Reaction to fire	Protection
T120 max 120 °C	P1 200 Pa	W Wet utilization	2 Gaseous / liquid fuels	O10 10 mm	LI Indoor only	E Poor fire reaction properties	U0 Protection no fuels



Extension

Dim.	250 mm	500 mm	1000 mm	2000 mm
Cod.	WBPC610025	WBPC610050	WBPC610100	WBPC610200
Note				
Pcs.	1	1	1	1
€/pcs.	€ 14,40	€ 22,00	€ 30,20	€ 53,70



Inspection element

Dim.	250 mm
Cod.	WBPCIS610
Note	
Pcs.	1
€/pcs.	€ 49,50



Bend

Dim.	45°
Cod.	WBCUR61045
Note	
Pcs.	1
€/pcs.	€ 27,40



Bend

Dim.	93°
Cod.	WBCUR61090
Note	
Pcs.	1
€/pcs.	€ 32,10



Inspection bend

Dim.	93°
Cod.	WBCUR61090IS
Note	
Pcs.	1
€/pcs.	€ 76,40



Bend adapter

Dim.	
Cod.	WBCUR61001
Note	Ariston-Chaffoteaux, Beretta, Riello, Vaillant
Pcs.	1
€/pcs.	€ 36,80



Bend adapter

Dim.	
Cod.	WBCUR61002
Note	Argo, Baxi, Roca, Viessmann
Pcs.	1
€/pcs.	€ 32,10



Bend adapter

Dim.	
Cod.	WBTPA61003
Note	Biasi, Ferroli, Fondital, Nova Florida, Savio
Pcs.	1
€/pcs.	€ 36,80



Horizontal flue terminal

Dim.	l 850 mm
Cod.	WBTPA610
Note	with black terminal
Pcs.	1
€/pcs.	€ 38,20



Horizontal flue terminal

Dim.	l 850 mm
Cod.	WBTPB610
Note	with white terminal
Pcs.	1
€/pcs.	€ 38,20



Horizontal flue terminal

Dim.	l 1000 mm
Cod.	WBCA610
Note	deicing
Pcs.	1
€/pcs.	€ 46,00



Condensation drain

Dim.	h 145 mm
Cod.	WBSCV610
Note	vertical and horizontal
Pcs.	1
€/pcs.	€ 46,60



Vertical adapter

Dim.	Ø 60-100 / Ø 80-125
Cod.	WBPV812
Note	condensation drain
Pcs.	1
€/pcs.	€ 45,30



Roof terminal

Dim.	h 1300 mm
Cod.	WMTC610
Note	5° - 30° pitched roof
Pcs.	1
€/pcs.	€ 99,80



Roof terminal

Dim.	h 1300 mm
Cod.	WNTC61050
Note	0° flat roof and 25° - 50° pitched roof
Pcs.	1
€/pcs.	€ 108,00



Brown tile

Dim.	500 x 500 mm
Cod.	5-TA
Note	5° - 30° pitched roof
Pcs.	1
€/pcs.	€ 34,50



Black tile

Dim.	450 x 450 mm
Cod.	N5-TA50
Note	25° - 50° pitched roof
Pcs.	1
€/pcs.	€ 47,10



ABS tile

Dim.	390 x 390 mm
Cod.	N5-TN13
Note	
Pcs.	1
€/pcs.	€ 29,00



Aluminium tile

Dim.	500 x 500 mm
Cod.	A5-TA
Note	
Pcs.	1
€/pcs.	€ 32,50



Wall bracket

Dim.	14-100
Cod.	
Note	
Pcs.	10
€/pcs.	€ 7,98



Wall cover

Dim.	9-10
Cod.	
Note	metal
Pcs.	20
€/pcs.	€ 5,57



Wall cover

Dim.	9-106
Cod.	
Note	EPDM
Pcs.	20
€/pcs.	€ 5,36



Extension

Dim.	250 mm	500 mm	1000 mm	2000 mm
Cod.	WBPC025	WBPC050	WBPC100	WBPC200
Note				
Pcs.	1	1	1	1
€/pcs.	€ 23,10	€ 32,30	€ 48,30	€ 80,80



Inspection element

Dim.	h 250 mm
Cod.	WBPCIS
Note	
Pcs.	1
€/pcs.	€ 75,20



Condensation drain

Dim.	200 mm
Cod.	WBPCSCV
Note	vertical and horizontal
Pcs.	1
€/pcs.	€ 79,00



Inspection element

Dim.	250 mm
Cod.	WBPCPPI
Note	
Pcs.	1
€/pcs.	€ 102,00



Bend

Dim.	45°
Cod.	WBCUR45
Note	
Pcs.	1
€/pcs.	€ 32,10



Bend

Dim.	93°
Cod.	WBCUR90
Note	
Pcs.	1
€/pcs.	€ 41,30



Inspection bend

Dim.	93°
Cod.	WBCUR90IS
Note	
Pcs.	1
€/pcs.	€ 91,10



Horizontal flue terminal

Dim.	l 850 mm
Cod.	WBCC100
Note	White
Pcs.	1
€/pcs.	€ 58,70



Horizontal flue terminal

Dim.	l 850 mm
Cod.	WNCC100
Note	Black
Pcs.	1
€/pcs.	€ 58,70



Vertical adapter PP-PP

Dim.	h 125
Cod.	WBPP81205
Note	Junkers-Bosch
Pcs.	1
€/pcs.	€ 28,10



Adapter

Dim.	Ø 80/Ø 80 - Ø 80/Ø 125
Cod.	WBSDP
Note	plastic
Pcs.	1
€/pcs.	€ 44,00



Roof terminal

Dim.	h 1300 mm
Cod.	WMTC100
Note	5° - 30° pitched roof
Pcs.	1
€/pcs.	€ 111,00



Roof terminal

Dim.	h 1300 mm
Cod.	WNTC10050
Note	0° flat roof and 25° - 50° pitched roof
Pcs.	1
€/pcs.	€ 114,00



Brown tile

Dim.	500 x 500 mm
Cod.	5-TA
Note	5° - 30° pitched roof
Pcs.	1
€/pcs.	€ 34,50



ABS tile

Dim.	390 x 390 mm
Cod.	N5-TN13
Note	
Pcs.	1
€/pcs.	€ 29,00



Aluminium tile

Dim.	500 x 500 mm
Cod.	A5-TA
Note	
Pcs.	1
€/pcs.	€ 32,50



Black tile

Dim.	450 x 450 mm
Cod.	N5-TA50
Note	25° - 50° pitched roof
Pcs.	1
€/pcs.	€ 47,10



Wall bracket

Dim.	
Cod.	14-125
Note	
Pcs.	10
€/pcs.	€ 9,89



Wall cover

Dim.	
Cod.	9-125
Note	metal
Pcs.	20
€/pcs.	€ 5,98



Wall cover

Dim.	
Cod.	9-126
Note	EPDM
Pcs.	20
€/pcs.	€ 5,98

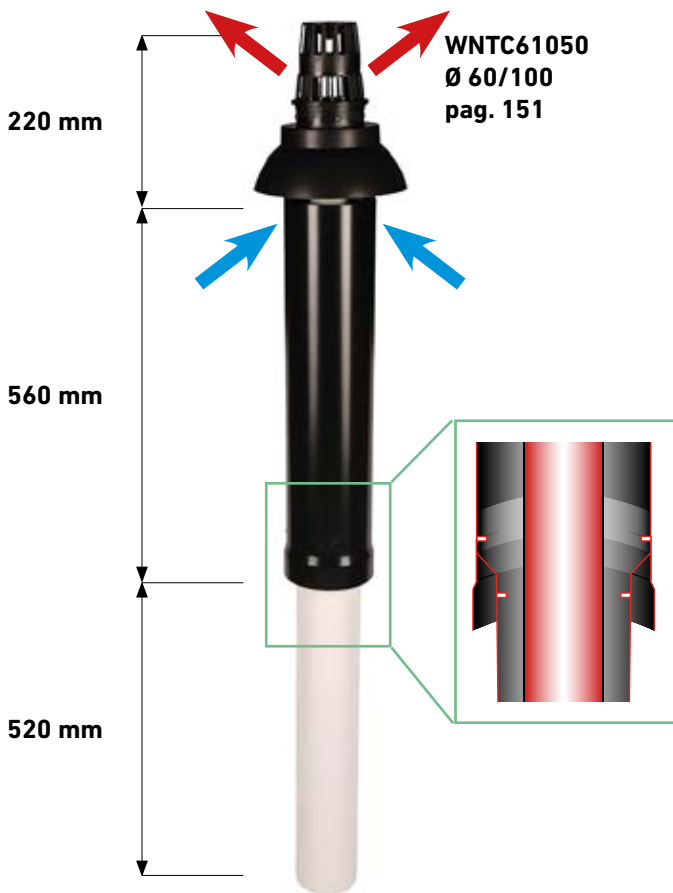


Wall cover

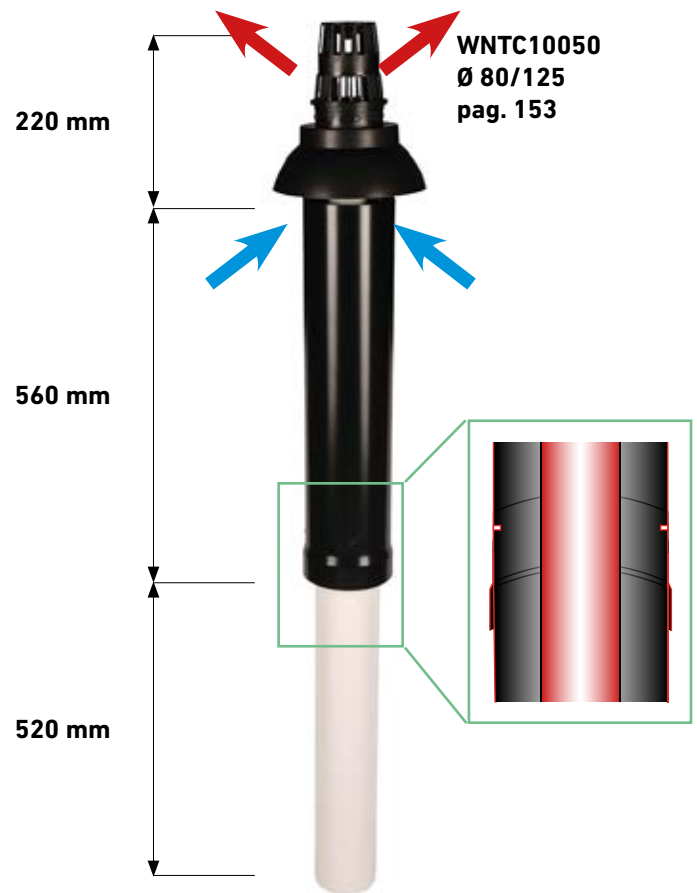
Dim.	210 x 210 mm
Cod.	9-127
Note	white metal
Pcs.	1
€/pcs.	€ 11,60

CONCENTRIC VERTICAL FLUE TERMINAL

CONCENTRIC PP/ALUMINIUM



Installation on 25°/50° pitched roofs
with N5-TA50 tile



Installation on flat roofs
with N5-TN13 tile



POLYPROPYLENE

CONCENTRIC PP/STAINLESS STEEL

Available diametres

Ø 80/125 - Ø 100/150

Documentation



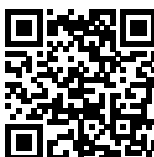
DoP

get.atimariani.it/dop/DOP28.pdf



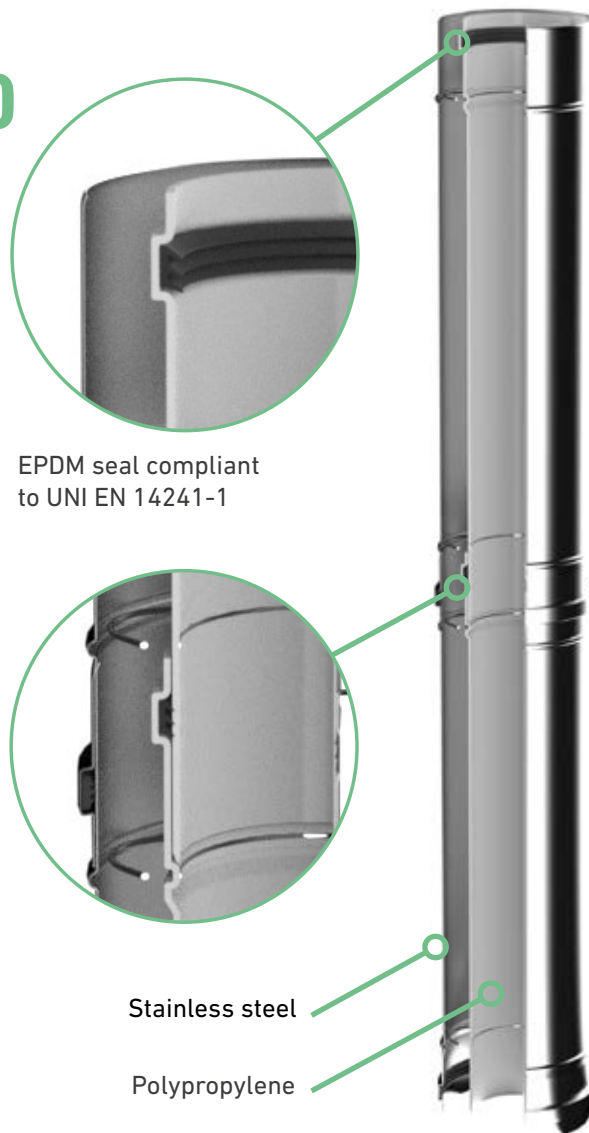
Instruction manual

get.atimariani.it/man/MANUT-PP-005.pdf



Catalogue section

get.atimariani.it/engcat/PP-INOX-CO.pdf



EPDM seal compliant to UNI EN 14241-1

Stainless steel

Polypropylene

Applications



Outdoor installation



Indoor installation



Condensing devices



Product designation according to EN 14471

Concentric rigid system chimney with plastic flue liner.							
Temperature	Pressure	Condensate	Corrosion	Distance from combustible mat.	Location	Reaction to fire	Protection
T120 max 120 °C	P1 200 Pa	W Wet utilization	2 Gaseous / liquid fuels	O10 10 mm	LE Indoor/outdoor	E Poor fire reaction properties	U0 Protection no fuels
T120 max 120 °C	H1 5000 Pa	W Wet utilization	2 Gaseous / liquid fuels	O10 10 mm	LE Indoor/outdoor	E Poor fire reaction properties	U0 Protection no fuels



Extension

Dim.	250 mm	500 mm	1000 mm	2000 mm
Cod.	WXPX812025	WXPX812050	WXPX812100	WXPX812200
Note				
Pcs.	1	1	1	1
€/pcs.	€ 28,00	€ 39,80	€ 56,20	€ 99,30



Black tile

Dim.	500 x 500 mm
Cod.	N5-TA
Note	5° - 30° pitched roof
Pcs.	1
€/pcs.	€ 32,30



Black tile

Dim.	450 x 450 mm
Cod.	N5-TA50
Note	25° - 50° pitched roof
Pcs.	1
€/pcs.	€ 47,10



ABS tile

Dim.	390 x 390 mm
Cod.	N5-TN13
Note	
Pcs.	1
€/pcs.	€ 29,00



Aluminium tile

Dim.	500 x 500 mm
Cod.	A5-TA
Note	
Pcs.	1
€/pcs.	€ 32,50



Roof terminal

Dim.	h 290 mm
Cod.	WXPX81234
Note	
Pcs.	1
€/pcs.	€ 129,00



Bend

Dim.	30°
Cod.	WXPX81230
Note	
Pcs.	1
€/pcs.	€ 49,00



Bend

Dim.	45°
Cod.	WXPX81245
Note	
Pcs.	1
€/pcs.	€ 51,50



Bend

Dim.	90°
Cod.	WXPX81290
Note	
Pcs.	1
€/pcs.	€ 65,40



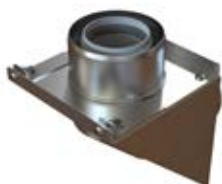
T element

Dim.	h 250 mm
Cod.	WXPX81270
Note	
Pcs.	1
€/pcs.	€ 103,00



Wall support with air intake

Dim.	190 x 206 x 205 mm
Cod.	WXPX81275
Note	condensation drain
Pcs.	1
€/pcs.	€ 112,00



Intermediate support

Dim.	190 x 207 x 213 mm
Cod.	WXPX81265
Note	
Pcs.	1
€/pcs.	€ 112,00



Inspection element

Dim.	250 mm
Cod.	WXPX81260
Note	
Pcs.	1
€/pcs.	€ 79,50



Extension with air intake

Dim.	h 250 mm
Cod.	WXPX81280
Note	
Pcs.	1
€/pcs.	€ 65,40



Wall cover

Dim.	210 X 210 mm
Cod.	WXPX81285
Note	inox
Pcs.	1
€/pcs.	€ 19,80



Adapter M/M

Dim.	Ø80-125 L=250 mm
Cod.	WXPX812010
Note	
Pcs.	1
€/pcs.	€ 28,00



Wall bracket

Dim.	
Cod.	COL125
Note	inox
Pcs.	1
€/pcs.	€ 24,10



Storm collar

Dim.	
Cod.	WXPX81286
Note	inox
Pcs.	1
€/pcs.	€ 22,90



Pipe

Dim.	250 mm	500 mm	1000 mm		
Cod.	WXPX1015025	WXPX1015050	WXPX1015100		
Note					
Pcs.	1	1	1		
€/pcs.	€ 36,00	€ 51,00	€ 80,00		



Vertical flue terminal

Dim.	h 298 mm
Cod.	WXPX101535
Note	
Pcs.	1
€/pcs.	€ 170,00



Bend

Dim.	30°
Cod.	WXPX101530
Note	
Pcs.	1
€/pcs.	€ 63,00



Bend

Dim.	45°
Cod.	WXPX101545
Note	
Pcs.	1
€/pcs.	€ 65,00



Bend

Dim.	90°
Cod.	WXPX101590
Note	
Pcs.	1
€/pcs.	€ 76,00



Inspection element

Dim.	h 326 mm
Cod.	WXPX101560
Note	
Pcs.	1
€/pcs.	€ 102,00



T element

Dim.	h 312 mm
Cod.	WXPX101570
Note	
Pcs.	1
€/pcs.	€ 133,00



Wall support with air intake

Dim.	190 x 206 x 205 mm
Cod.	WXPX101575
Note	condensation drain
Pcs.	1
€/pcs.	€ 145,00



Extension with air intake

Dim.	250 mm
Cod.	WXPX101580
Note	
Pcs.	1
€/pcs.	€ 85,00



Wall cover

Dim.	240 x 240 mm
Cod.	WXPX101585
Note	inox
Pcs.	1
€/pcs.	€ 25,00



Adapter

Dim.	Ø80/125 - Ø100/150
Cod.	WXPX101501
Note	
Pcs.	1
€/pcs.	€ 38,00



Wall bracket

Dim.	
Cod.	COL150
Note	inox
Pcs.	1
€/pcs.	€ 32,00

DOUBLE WALL PP/BROWN ALUMINIUM

Available diametres

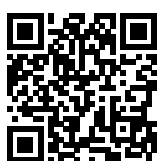
Ø 80/100 – Ø 110/130

Documentation



DoP

get.atimariani.it/dop/DOP03.pdf



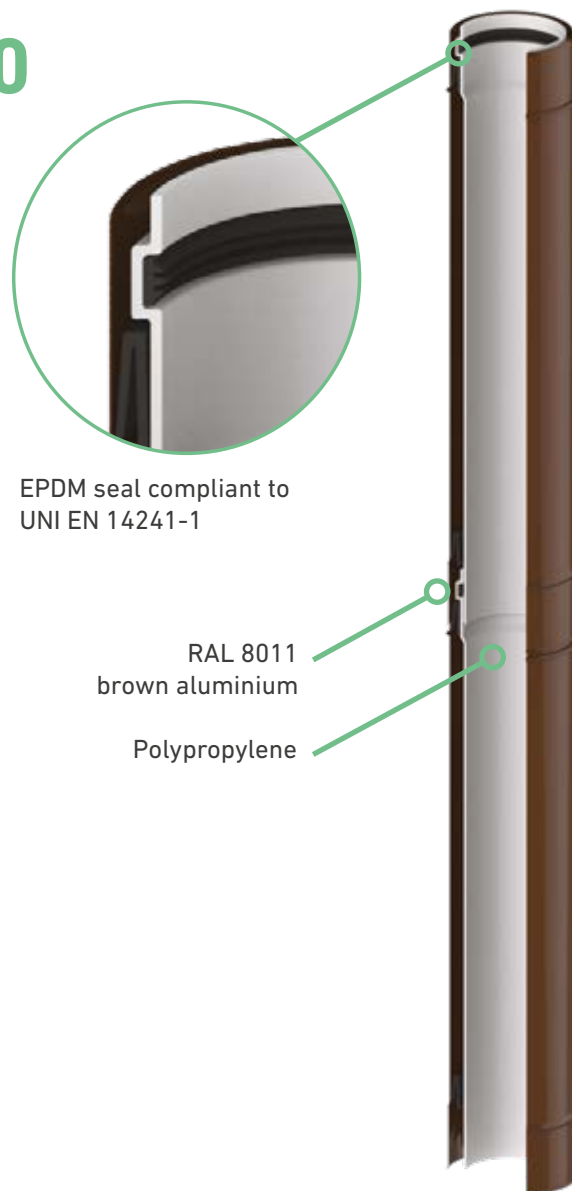
Instruction manual

get.atimariani.it/man/210-0708.pdf



Catalogue section

get.atimariani.it/engcat/PP-ALU-DW.pdf



EPDM seal compliant to
UNI EN 14241-1

RAL 8011
brown aluminium

Polypropylene

Applications



Outdoor
installation



Condensing
devices



Product designation according to EN 14471

Double wall rigid system chimney with plastic flue liner and external wall in brown painted aluminium.

Temperature	Pressure	Condensate	Corrosion	Distance from combustible mat.	Location	Reaction to fire	Protection
T120 max 120 °C	P1 200 Pa	W Wet utilization	2 Gaseous / liquid fuels	010 10 mm	LE Indoor/outdoor	E Poor fire reaction properties	U0 Protection non combustibile



Pipe

Dim.	250 mm	500 mm	1000 mm	2000 mm
Cod.	WM6-80PAB	WM6-850PAB	WM6-810PAB	WM6-820PAB
Note				
Pcs.	1	1	1	1
€/pcs.	€ 25,10	€ 35,70	€ 52,70	€ 99,50



Vertical flue terminal

Dim.	h 240 mm
Cod.	WM45-810PA
Note	
Pcs.	1
€/pcs.	€ 37,80



Vertical flue terminal

Dim.	h 150 mm
Cod.	M45-100XAB
Note	
Pcs.	1
€/pcs.	€ 42,20



Upper support

Dim.	5-100M
Cod.	5-100M
Note	
Pcs.	1
€/pcs.	€ 17,80



Brown tile

Dim.	500 x 500 mm
Cod.	5-TA
Note	5° - 30° pitched roof
Pcs.	1
€/pcs.	€ 34,50



Adjustable pipe

Dim.	Ø 100 - 500 / 850 mm
Cod.	WM6-10T
Note	Ø 80 internal not included
Pcs.	1
€/pcs.	€ 34,00



Bend

Dim.	45°
Cod.	WM7-410PAB
Note	
Pcs.	1
€/pcs.	€ 46,50



Bend

Dim.	90°
Cod.	WM7-910PAB
Note	
Pcs.	1
€/pcs.	€ 60,40



T element

Dim.	h 236 mm
Cod.	WM13-810PAB
Note	
Pcs.	1
€/pcs.	€ 83,80



T element

Dim.	h 236 mm
Cod.	WM13-810PSC
Note	with 1/2"
Pcs.	1
€/pcs.	€ 91,90



T element

Dim.	h 236 mm
Cod.	WM13-810PIS
Note	with inspection plug
Pcs.	1
€/pcs.	€ 105,00



Condensation drain with ring

Dim.	Ø 80 - 1/2"
Cod.	WM16-80SC
Note	vertical
Pcs.	1
€/pcs.	€ 32,30



Wall support

Dim.	140 x 180 x 200 mm
Cod.	M15-810XAB
Note	
Pcs.	1
€/pcs.	€ 84,70



Transition double wall system

Dim.	Ø 80/100 - Ø 80
Cod.	WM6-80AD
Note	
Pcs.	1
€/pcs.	€ 22,70



Wall bracket

Dim.	
Cod.	M14-100
Note	
Pcs.	10
€/pcs.	€ 8,76



Fastening ring

Dim.	
Cod.	M9-10F
Note	
Pcs.	10
€/pcs.	€ 6,70



Pipe

Dim.	250 mm	500 mm	1000 mm	2000 mm
Cod.	WM6-113PAB	WM6-1153PAB	WM6-1113PAB	WM6-1123PAB
Note				
Pcs.	1	1	1	1
€/pcs.	€ 37,00	€ 50,90	€ 81,00	€ 149,00



Vertical flue terminal

Dim.	h 245 mm
Cod.	WM45-110P
Note	for flat shaft
Pcs.	1
€/pcs.	€ 52,00



Upper support

Dim.	
Cod.	5-130R
Note	
Pcs.	1
€/pcs.	€ 24,70



Brown tile

Dim.	500 x 500 mm
Cod.	5-TA
Note	5° - 30° pitched roof
Pcs.	1
€/pcs.	€ 34,50



Bend

Dim.	45°
Cod.	WM7-413PAB
Note	
Pcs.	1
€/pcs.	€ 59,50



T element

Dim.	h 262 mm
Cod.	WM13-1113PAB
Note	
Pcs.	1
€/pcs.	€ 110,00



T element

Dim.	h 262 mm
Cod.	WM13-1113PIS
Note	with inspection plug
Pcs.	1
€/pcs.	€ 127,00



Condensation drain with ring

Dim.	Ø 110 - 1/2"
Cod.	WM16-110SC
Note	vertical
Pcs.	1
€/pcs.	€ 45,10



Wall support

Dim.	140 x 180 x 200 mm
Cod.	M15-810XAB
Note	
Pcs.	1
€/pcs.	€ 84,70



Wall bracket

Dim.	
Cod.	M14-130
Note	
Pcs.	10
€/pcs.	€ 11,00



Fastening ring

Dim.	
Cod.	M9-13F
Note	
Pcs.	10
€/pcs.	€ 8,03

DOUBLE WALL PP/COPPER

Available diametres

Ø 80/100

Documentation



DoP

get.atimariani.it/dop/DOP05.pdf



Instruction manual

get.atimariani.it/man/210-0713.pdf



Catalogue section

get.atimariani.it/engcat/PP-CO-DW.pdf

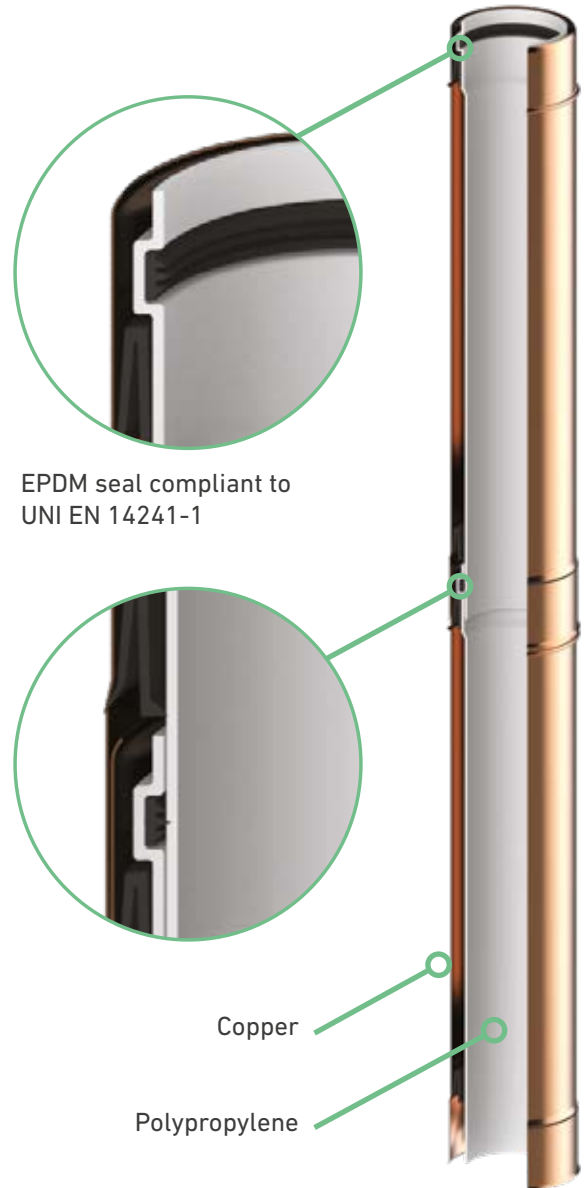
Applications



Outdoor
installation



Condensing
devices



DOUBLE WALL PP/COPPER

POLYPROPYLENE



Product designation according to EN 14471

Double wall rigid system chimney with plastic flue liner and external wall in copper.

Temperature	Pressure	Condensate	Corrosion	Distance from combustible mat.	Location	Reaction to fire	Protection
T120 max 120 °C	P1 200 Pa	W Wet utilization	2 Gaseous / liquid fuels	O10 10 mm	LE Indoor/outdoor	E Poor fire reaction properties	U0 Protection non combustible



Pipe

Dim.	250 mm	500 mm	1000 mm	2000 mm
Cod.	WR6-80PR	WR6-850PR	WR6-810PR	WR6-820PR
Note				
Pcs.	1	1	1	1
€/pcs.	€ 31,40	€ 43,80	€ 65,70	€ 121,00



Vertical flue terminal

Dim.	h 240 mm
Cod.	WR45-810PR
Note	
Pcs.	1
€/pcs.	€ 47,50



Vertical flue terminal

Dim.	h 144 mm
Cod.	45-100RB
Note	
Pcs.	1
€/pcs.	€ 51,70



Upper support

Dim.	5-100M
Cod.	5-100M
Note	
Pcs.	1
€/pcs.	€ 17,80



Brown tile

Dim.	500 x 500 mm
Cod.	5-TA
Note	5° - 30° pitched roof
Pcs.	1
€/pcs.	€ 34,50



Adjustable pipe

Dim.	Ø 100 - 500 / 850 mm
Cod.	WR6-10T
Note	Ø 80 internal not included
Pcs.	1
€/pcs.	€ 38,20



Bend

Dim.	45°
Cod.	WR7-410PR
Note	
Pcs.	1
€/pcs.	€ 57,50



Bend

Dim.	93°
Cod.	WR7-910PR
Note	
Pcs.	1
€/pcs.	€ 73,00



T element

Dim.	h 236 mm
Cod.	WR13-810PR
Note	
Pcs.	1
€/pcs.	€ 103,00



T element

Dim.	h 236 mm
Cod.	WR13-810PSC
Note	with 1/2"
Pcs.	1
€/pcs.	€ 114,00



T element

Dim.	h 236 mm
Cod.	WR13-810PIS
Note	with inspection plug
Pcs.	1
€/pcs.	€ 129,00



Condensation drain with ring

Dim.	Ø 80 - 1/2"
Cod.	WR16-80SC
Note	vertical
Pcs.	1
€/pcs.	€ 40,20



Wall support

Dim.	140 x 180 x 200 mm
Cod.	WR15-SUP
Note	
Pcs.	1
€/pcs.	€ 104,00



Transition double wall system

Dim.	Ø 80/100 - Ø 80
Cod.	WR6-80AD
Note	
Pcs.	1
€/pcs.	€ 28,90



Wall bracket

Dim.	
Cod.	14-100R
Note	
Pcs.	10
€/pcs.	€ 10,00



Fastening ring

Dim.	
Cod.	9-10FR
Note	
Pcs.	10
€/pcs.	€ 9,35

DOUBLE WALL PP/STAINLESS STEEL

Available diametres

Ø 80/100

Documentation



DoP

get.atimariani.it/dop/DOP04.pdf



Instruction manual

get.atimariani.it/man/210-0710.pdf



Catalogue section

get.atimariani.it/engcat/PP-INOX-DW.pdf

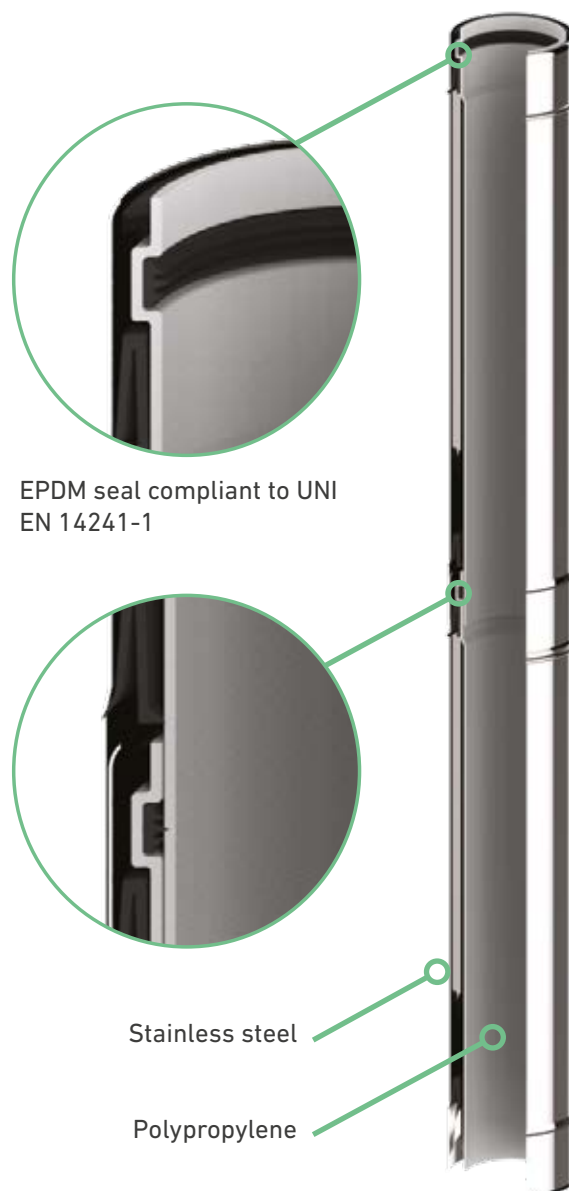
Applications



Outdoor
installation



Condensing
devices



Product designation according to EN 14471

Double wall rigid system chimney with plastic flue liner and external wall in aisi 304 stainless steel.

Temperature	Pressure	Condensate	Corrosion	Distance from combustible mat.	Location	Reaction to fire	Protection
T120 max 120 °C	P1 200 Pa	W Wet utilization	2 Gaseous / liquid fuels	010 10 mm	LE Indoor/outdoor	E Poor fire reaction properties	U0 Protection non combustibile



Pipe

Dim.	250 mm	500 mm	1000 mm	2000 mm
Cod.	WX6-80PX	WX6-850PX	WX6-810PX	WX6-820PX
Note				
Pcs.	1	1	1	1
€/pcs.	€ 25,60	€ 35,90	€ 53,50	€ 101,00



Vertical flue terminal

Dim.	h 240 mm
Cod.	WX45-810PX
Note	
Pcs.	1
€/pcs.	€ 36,50



Vertical flue terminal

Dim.	h 150 mm
Cod.	45-100XAB
Note	
Pcs.	1
€/pcs.	€ 38,10



Upper support

Dim.	5-100M
Cod.	5-100M
Note	
Pcs.	1
€/pcs.	€ 17,80



Brown tile

Dim.	500 x 500 mm
Cod.	5-TA
Note	5° - 30° pitched roof
Pcs.	1
€/pcs.	€ 34,50



Adjustable pipe

Dim.	Ø 100 - 500 / 850 mm
Cod.	WX6-10T
Note	Ø 80 internal not included
Pcs.	1
€/pcs.	€ 31,20



Bend

Dim.	45°
Cod.	WX7-410PX
Note	
Pcs.	1
€/pcs.	€ 47,00



Bend

Dim.	93°
Cod.	WX7-910PX
Note	
Pcs.	1
€/pcs.	€ 61,30



T element

Dim.	h 236 mm
Cod.	WX13-810PX
Note	
Pcs.	1
€/pcs.	€ 85,50



T element

Dim.	h 236 mm
Cod.	WX13-810PSC
Note	with 1/2"
Pcs.	1
€/pcs.	€ 93,70



T element

Dim.	h 236 mm
Cod.	WX13-810PIS
Note	with inspection plug
Pcs.	1
€/pcs.	€ 106,00



Condensation drain with ring

Dim.	Ø 80 - 1/2"
Cod.	WX16-80SC
Note	vertical
Pcs.	1
€/pcs.	€ 33,00



Wall support

Dim.	140 x 180 x 200 mm
Cod.	WX15-SUP
Note	
Pcs.	1
€/pcs.	€ 87,90



Transition double wall system

Dim.	Ø 80/100 - Ø 80
Cod.	WX6-80AD
Note	
Pcs.	1
€/pcs.	€ 23,80



Wall bracket

Dim.	
Cod.	14-100X
Note	inox
Pcs.	10
€/pcs.	€ 9,30



Fastening ring

Dim.	
Cod.	9-10FX
Note	inox
Pcs.	10
€/pcs.	€ 5,36

NOTES

T200 METALLIC FLUE SYSTEMS

SINGLE WALL

174



prices.atimariani.it/ati



SINGLE WALL STAINLESS STEEL

174

Ø 60 - Ø 80 - Ø 100 - Ø 120 - Ø 130



SINGLE WALL WHITE ALUMINIUM

187

Ø 60 - Ø 80 - Ø 100 - Ø 130

CONCENTRIC

198



prices.atimariani.it/ati



ALUMINIUM/WHITE ALUMINIUM Ø 60/100

198

DOUBLE WALL

200



prices.atimariani.it/ati



ST. STEEL/BROWN ALUMINIUM Ø 80/100

200



ST. STEEL/COPPER Ø 80/100

203

ST. STEEL/COPPER Ø 100/130

206

SINGLE WALL S. STEEL AISI 316/L BA

Available diametres

Ø 60÷130

Documentation



DoP T200

get.atimariani.it/dop/DOP08.pdf



DoP T250

get.atimariani.it/dop/DOP09.pdf



Instruction manual

get.atimariani.it/man/MANUT-FUM-001.pdf



Catalogue section

get.atimariani.it/engcat/INOX-SW.pdf



Silicone seal compliant to
UNI EN 14241-1

Applications



**Indoor
installation**



**Condensing
devices**



**Conventional
devices**



**Pellet burning
stoves**

CE Product designation according to UNI EN 1856-1: 2009

Stainless steel single wall.						
Temperature	Pressure	Condensate	Corrosion	Flue liner material specification	Sootfire	Min. distance to combustible material
T200 max 200 °C	P1 200 Pa	W Wet utilization	V2 Corrosion class	L50050 Stainless steel 0.5 mm	0 No resistance (with seal)	60 60 mm
T200 max 200 °C	P1 200 Pa	W Wet utilization	V2 Corrosion class	L50080 Stainless steel 0.8 mm	0 No resistance (with seal)	60 60 mm

CE Product designation according to UNI EN 1856-2: 2009

Stainless steel single wall.						
Temperature	Pressure	Condensate	Corrosion	Flue liner material specification	Sootfire	Min. distance to combustible material
T200 max 200 °C	P1 200 Pa	W Wet utilization	V2 Corrosion class	L50050 Stainless steel 0.5 mm	0 No resistance (with seal)	40M 40 mm
T200 max 200 °C	P1 200 Pa	W Wet utilization	V2 Corrosion class	L50080 Stainless steel 0.8 mm	0 No resistance (with seal)	40M 40 mm

CE Product designation according to UNI EN 1856-2: 2009

Stainless steel single wall.						
Temperature	Pressure	Condensate	Corrosion	Flue liner material specification	Sootfire	Min. distance to combustible material
T250 max 250 °C	N1 40 Pa	D Dry utilization	V2 Corrosion class	L50050 Stainless steel 0.5 mm	G Resistant (without seal)	700M 700 mm
T250 max 250 °C	N1 40 Pa	D Dry utilization	V2 Corrosion class	L50080 Stainless steel 0.8 mm	G Resistant (without seal)	700M 700 mm



Pipe

Dim.	250 mm	500 mm	1000 mm	2000 mm	
Cod.	1-26X	1-56X	1-106X	1-206X	
Note	thk. 0,5 mm	thk. 0,5 mm	thk. 0,5 mm	thk. 0,5 mm	
Pcs.	9	9	9	6	
€/pcs.	€ 11,20	€ 14,60	€ 25,80	€ 46,00	



F/F sleeve

Dim.	200 mm
Cod.	1-146X
Note	thk. 0,5 mm
Pcs.	6
€/pcs.	€ 14,00

NEW



M/F bend

Dim.	45°
Cod.	2-46X
Note	segment bend - thk. 0,5 mm
Pcs.	4
€/pcs.	€ 16,00



CLOSE OUT SALE

M/F bend

Dim.	45°
Cod.	2-46XP
Note	bended from pipe - thk. 0,8 mm
Pcs.	4
€/pcs.	€ 22,00

NEW



M/F bend

Dim.	90°
Cod.	2-96X
Note	segment bend - thk. 0,5 mm
Pcs.	4
€/pcs.	€ 23,00



CLOSE OUT SALE

M/F bend

Dim.	90°
Cod.	2-96XP
Note	bended from pipe - thk. 0,8 mm
Pcs.	4
€/pcs.	€ 24,90



T element

Dim.	h 240 mm
Cod.	3-6TX
Note	thk. 0,5 mm
Pcs.	4
€/pcs.	€ 31,60



Condensation drain

Dim.	3/4"
Cod.	4-6SCX
Note	vertical - thk. 0,5 mm
Pcs.	4
€/pcs.	€ 21,30



Reducing adapter

Dim.	Ø 60 F - Ø 80 M
Cod.	8-68XB
Note	thk. 0,5 mm
Pcs.	1
€/pcs.	€ 28,20



Silicone seal

Dim.	
Cod.	20-60
Note	
Pcs.	10
€/pcs.	€ 1,14



Fastening ring

Dim.	
Cod.	9-6FX
Note	inox
Pcs.	10
€/pcs.	€ 5,05



Wall bracket

Dim.	
Cod.	5-6X
Note	inox
Pcs.	10
€/pcs.	€ 6,70



Stainless steel grid

Dim.	
Cod.	11-6AX
Note	air inlet-female
Pcs.	10
€/pcs.	€ 5,46



Stainless steel grid with rain cover

Dim.	
Cod.	11-060AX
Note	air inlet-female
Pcs.	10
€/pcs.	€ 6,18



Horizontal flue terminal

Dim.	l 80 mm
Cod.	10-6SX
Note	female
Pcs.	10
€/pcs.	€ 6,18



Vertical flue terminal

Dim.	h 76 mm
Cod.	10-6VX
Note	female
Pcs.	10
€/pcs.	€ 21,70



Vertical flue terminal

Dim.	h 157 mm
Cod.	6-6CX
Note	male
Pcs.	5
€/pcs.	€ 24,90



Pipe

Dim.	250 mm	500 mm	1000 mm	2000 mm	
Cod.	1-28X	1-58X	1-108X	1-208X	
Note	thk. 0,5 mm	thk. 0,5 mm	thk. 0,5 mm	thk. 0,5 mm	
Pcs.	9	9	9	6	
€/pcs.	€ 13,50	€ 16,90	€ 26,20	€ 49,20	



F/F sleeve

Dim.	120 mm
Cod.	1-148X
Note	thk. 0,5 mm
Pcs.	6
€/pcs.	€ 17,50



M/F bend

Dim.	45°
Cod.	2-48X
Note	segment bend - thk. 0,5 mm
Pcs.	4
€/pcs.	€ 19,80



M/F bend

Dim.	45°
Cod.	2-48XP
Note	bended from pipe - thk. 0,8 mm
Pcs.	4
€/pcs.	€ 24,70



M/F bend

Dim.	90°
Cod.	2-98X
Note	segment bend - thk. 0,5 mm
Pcs.	4
€/pcs.	€ 24,40



M/F bend

Dim.	90°
Cod.	2-98XP
Note	bended from pipe - thk. 0,8 mm
Pcs.	4
€/pcs.	€ 28,00



M/F bend

Dim.	90°
Cod.	2-98XIS
Note	with inspection plug - sp.0,5 mm
Pcs.	1
€/pcs.	€ 56,70



T element

Dim.	h 194 mm
Cod.	3-8TX
Note	M/F - thk. 0,5 mm
Pcs.	4
€/pcs.	€ 33,40



T element

Dim.	h 194 mm
Cod.	13-80XFF
Note	F/F - thk. 0,5 mm
Pcs.	4
€/pcs.	€ 34,40



Element with inspection plug

Dim.	
Cod.	10-8X
Note	thk. 0,5 mm
Pcs.	1
€/pcs.	€ 51,10

CLOSE OUT SALE



Plug

Dim.	
Cod.	12-80X
Note	thk. 0,5 mm
Pcs.	4
€/pcs.	€ 14,40



Condensation drain

Dim.	3/4"
Cod.	4-8SX
Note	vertical - thk. 0,5 mm
Pcs.	4
€/pcs.	€ 22,50



Increasing adapter

Dim.	Ø 80 F - Ø 60 M
Cod.	8-86XB
Note	thk. 0,5 mm
Pcs.	1
€/pcs.	€ 28,40



Silicone seal

Dim.	
Cod.	20-80
Note	
Pcs.	10
€/pcs.	€ 1,30



Fastening ring

Dim.	
Cod.	9-8FX
Note	inox
Pcs.	10
€/pcs.	€ 5,26



Wall bracket

Dim.	
Cod.	5-8X
Note	inox
Pcs.	10
€/pcs.	€ 7,32



Nylon grid

Dim.	
Cod.	10-8
Note	air inlet-female
Pcs.	10
€/pcs.	€ 3,71



Stainless steel grid

Dim.	
Cod.	11-8AX
Note	air inlet-female
Pcs.	10
€/pcs.	€ 5,77



Stainless steel grid with rain cover

Dim.	
Cod.	11-080AX
Note	air inlet-female
Pcs.	10
€/pcs.	€ 6,39



Nylon terminal

Dim.	
Cod.	10-8A
Note	air inlet
Pcs.	10
€/pcs.	€ 4,33



Stainless steel terminal

Dim.	
Cod.	10-8AX
Note	air inlet
Pcs.	10
€/pcs.	€ 7,52



Horizontal flue terminal

Dim.	
Cod.	10-8S
Note	nylon-female
Pcs.	10
€/pcs.	€ 4,12



Horizontal flue terminal

Dim.	l 80 mm
Cod.	10-8SX
Note	female
Pcs.	10
€/pcs.	€ 6,39



Horizontal flue terminal

Dim.	l 146 mm
Cod.	10-8SMX
Note	male
Pcs.	4
€/pcs.	€ 13,10



Vertical flue terminal

Dim.	h 89 mm
Cod.	10-8VX
Note	female
Pcs.	10
€/pcs.	€ 24,10



Vertical flue terminal

Dim.	h 152 mm
Cod.	6-8CX
Note	male
Pcs.	5
€/pcs.	€ 28,40



Pipe

Dim.	250 mm	500 mm	1000 mm	2000 mm
Cod.	1-210X	1-510X	1-1010X	1-2010X
Note	thk. 0,5 mm	thk. 0,5 mm	thk. 0,5 mm	thk. 0,5 mm
Pcs.	6	9	9	4
€/pcs.	€ 16,40	€ 20,10	€ 31,30	€ 58,00

NEW



CLOSE OUT SALE

F/F sleeve

Dim.	200 mm
Cod.	1-1410X
Note	thk. 0,5 mm
Pcs.	4
€/pcs.	€ 21,10

M/F bend

Dim.	45°
Cod.	2-410X
Note	segment bend - thk. 0,5 mm
Pcs.	4
€/pcs.	€ 21,00

M/F bend

Dim.	45°
Cod.	2-410XP
Note	bended from pipe - thk. 0,8 mm
Pcs.	4
€/pcs.	€ 26,00

NEW



CLOSE OUT SALE



M/F bend

Dim.	90°
Cod.	2-910X
Note	segment bend - thk. 0,5 mm
Pcs.	4
€/pcs.	€ 27,00

M/F bend

Dim.	90°
Cod.	2-910XP
Note	bended from pipe - thk. 0,8 mm
Pcs.	4
€/pcs.	€ 31,50

T element

Dim.	h 322 mm
Cod.	3-1010TX
Note	thk. 0,5 mm
Pcs.	4
€/pcs.	€ 39,80



T element

Dim.	h 330 mm - reduced Ø 80
Cod.	3-10TX
Note	thk. 0,5 mm
Pcs.	4
€/pcs.	€ 39,80

Condensation drain

Dim.	3/4"
Cod.	4-10SX
Note	vertical - thk. 0,5 mm
Pcs.	4
€/pcs.	€ 24,00

Increasing adapter

Dim.	Ø 100 F - Ø 80 M
Cod.	8-108XB
Note	thk. 0,5 mm
Pcs.	1
€/pcs.	€ 33,60



Silicone seal

Dim.	
Cod.	20-100
Note	
Pcs.	10
€/pcs.	€ 1,68



Fastening ring

Dim.	
Cod.	9-10FX
Note	inox
Pcs.	10
€/pcs.	€ 5,36



Wall bracket

Dim.	
Cod.	5-10X
Note	inox
Pcs.	10
€/pcs.	€ 9,77



Stainless steel grid

Dim.	
Cod.	11-10AX
Note	air inlet-female
Pcs.	10
€/pcs.	€ 7,46



Stainless steel grid with rain cover

Dim.	
Cod.	11-100AX
Note	air inlet-female
Pcs.	10
€/pcs.	€ 7,88



Horizontal flue terminal

Dim.	l 133 mm
Cod.	10-106
Note	nylon - male
Pcs.	10
€/pcs.	€ 7,98



Horizontal flue terminal

Dim.	l 80 mm
Cod.	10-10SX
Note	female
Pcs.	10
€/pcs.	€ 7,98



Vertical flue terminal

Dim.	h 76 mm
Cod.	10-10VX
Note	female
Pcs.	10
€/pcs.	€ 27,80



Vertical flue terminal

Dim.	h 154 mm
Cod.	6-10CX
Note	male
Pcs.	3
€/pcs.	€ 32,20



Pipe

Dim.	250 mm	500 mm	1000 mm	2000 mm
Cod.	1-212X	1-512X	1-1012X	1-2012X
Note	thk. 0,5 mm	thk. 0,5 mm	thk. 0,5 mm	thk. 0,5 mm
Pcs.	4	4	4	4
€/pcs.	€ 20,70	€ 25,30	€ 39,10	€ 73,10



F/F sleeve

Dim.	200 mm
Cod.	1-1412X
Note	thk. 0,5 mm
Pcs.	4
€/pcs.	€ 26,10



M/F bend

Dim.	45°
Cod.	2-412XP
Note	bended from pipe - thk. 0,8 mm
Pcs.	5
€/pcs.	€ 36,00



M/F bend

Dim.	90°
Cod.	2-912X
Note	segment bend - thk. 0,5 mm
Pcs.	1
€/pcs.	€ 39,00



T element

Dim.	h 330 mm
Cod.	3-1212TX
Note	thk. 0,5 mm
Pcs.	4
€/pcs.	€ 49,70



T element

Dim.	h 330 mm - reduced Ø 80
Cod.	3-12TX
Note	thk. 0,5 mm
Pcs.	4
€/pcs.	€ 49,70



Condensation drain

Dim.	3/4"
Cod.	4-12SX
Note	vertical - thk. 0,5 mm
Pcs.	4
€/pcs.	€ 32,50



Silicone seal

Dim.	20-120
Note	
Pcs.	10
€/pcs.	€ 2,30



Fastening ring

Dim.	9-12FX
Note	inox
Pcs.	10
€/pcs.	€ 6,10



Wall bracket

Dim.	5-12X
Note	inox
Pcs.	10
€/pcs.	€ 12,80



Vertical flue terminal

Dim.	h 152 mm
Cod.	10-12VX
Note	female
Pcs.	1
€/pcs.	€ 30,70



Vertical flue terminal

Dim.	h 152 mm
Cod.	6-12CX
Note	male
Pcs.	2
€/pcs.	€ 36,30



Pipe

Dim.	250 mm	500 mm	1000 mm	2000 mm
Cod.	1-213X	1-513X	1-1013X	1-2013X
Note	thk. 0,5 mm	thk. 0,5 mm	thk. 0,5 mm	thk. 0,5 mm
Pcs.	4	4	4	4
€/pcs.	€ 22,80	€ 27,60	€ 41,70	€ 76,80



F/F sleeve

Dim.	200 mm
Cod.	1-1413X
Note	thk. 0,5 mm
Pcs.	4
€/pcs.	€ 26,30



M/F bend

Dim.	45°
Cod.	2-413X
Note	segment bend - thk. 0,5 mm
Pcs.	5
€/pcs.	€ 37,00



M/F bend

Dim.	90°
Cod.	2-913X
Note	segment bend - thk. 0,5 mm
Pcs.	4
€/pcs.	€ 46,90



T element

Dim.	h 330 mm
Cod.	3-1313TX
Note	thk. 0,5 mm
Pcs.	4
€/pcs.	€ 50,90



T element

Dim.	h 330 mm - reduced Ø 80
Cod.	3-131TX
Note	thk. 0,5 mm
Pcs.	4
€/pcs.	€ 50,90



Condensation drain

Dim.	3/4"
Cod.	4-13SX
Note	vertical - thk. 0,5 mm
Pcs.	4
€/pcs.	€ 35,50



CLOSE OUT SALE

Increasing adapter

Dim.	Ø 130 F - Ø 100 M
Cod.	8-1310X
Note	thk. 0,5 mm
Pcs.	1
€/pcs.	€ 48,10



CLOSE OUT SALE

Increasing adapter

Dim.	Ø 130 F - Ø 120 M
Cod.	8-1312X
Note	thk. 0,5 mm
Pcs.	1
€/pcs.	€ 48,10



Silicone seal

Dim.	20-130
Note	
Pcs.	10
€/pcs.	€ 2,20



Fastening ring

Dim.	
Cod.	9-13FX
Note	AISI 304 stainless steel
Pcs.	10
€/pcs.	€ 6,10



Wall bracket

Dim.	
Cod.	5-13X
Note	inox
Pcs.	10
€/pcs.	€ 13,60



Vertical flue terminal

Dim.	h 152 mm
Cod.	10-13VX
Note	female
Pcs.	1
€/pcs.	€ 35,10



Vertical flue terminal

Dim.	h 247 mm
Cod.	6-13CX
Note	male
Pcs.	2
€/pcs.	€ 41,50

SINGLE WALL ALUMINIUM

Available diametres

Ø 60÷130

Documentation



DoP

get.atimariani.it/dop/DOP10.pdf



Instruction manual

get.atimariani.it/man/MANUT-FUM-002.pdf



Catalogue section

get.atimariani.it/engcat/ALU-SW.pdf

Applications



**Indoor
installation**



**Conventional
devices**



**Air
ventilation**



SINGLE WALL ALUMINIUM

METALLIC

**Product designation according to UNI EN 1856-1: 2009****Aluminium single wall.**

Temperature	Pressure	Condensate	Corrosion	Flue liner material specification	Sootfire	Min. distance to combustible material
T200 max 200 °C	P1 200 Pa	W Wet utilization	Vm Corrosion class	L11100 Aluminium 1.0 mm	0 No resistance (with seal)	60 60 mm
T200 max 200 °C	P1 200 Pa	W Wet utilization	V2 Corrosion class	L99150 Aluminium 1.5 mm	0 No resistance (with seal)	60 60 mm

**Product designation according to UNI EN 1856-2: 2009****Aluminium single wall.**

Temperature	Pressure	Condensate	Corrosion	Flue liner material specification	Sootfire	Min. distance to combustible material
T200 max 200 °C	P1 200 Pa	W Wet utilization	Vm Corrosion class	L11100 Aluminium 1.0 mm	0 No resistance (with seal)	40M 40 mm
T200 max 200 °C	P1 200 Pa	W Wet utilization	V2 Corrosion class	L99150 Aluminium 1.5 mm	0 No resistance (with seal)	40M 40 mm



Pipe

Dim.	250 mm	500 mm	1000 mm	2000 mm	
Cod.	1-26AB	1-56AB	1-106AB	1-206AB	
Note	thk. 1 mm	thk. 1 mm	thk. 1 mm	thk. 1 mm	
Pcs.	9	9	9	6	
€/pcs.	€ 7,32	€ 9,58	€ 13,50	€ 26,00	



F/F sleeve

Dim.	150 mm
Cod.	1-146AB
Note	thk. 1 mm
Pcs.	6
€/pcs.	€ 10,10



M/F bend

Dim.	45°
Cod.	2-46PMF
Note	
Pcs.	12
€/pcs.	€ 14,40



M/F bend

Dim.	90°
Cod.	2-96PMF
Note	
Pcs.	12
€/pcs.	€ 14,60



F/F bend

Dim.	90°
Cod.	2-96PFF
Note	
Pcs.	12
€/pcs.	€ 16,30



Clamp with seal

Dim.	45 mm
Cod.	67-46
Note	
Pcs.	20
€/pcs.	€ 4,33



Clamp with seal

Dim.	75 mm
Cod.	67-76
Note	
Pcs.	20
€/pcs.	€ 5,98



Silicone seal

Dim.	20-60
Cod.	
Note	
Pcs.	10
€/pcs.	€ 1,14



Wall cover

Dim.	9-6
Cod.	
Note	metal
Pcs.	20
€/pcs.	€ 4,12



Wall cover

Dim.	9-66
Cod.	
Note	EPDM
Pcs.	20
€/pcs.	€ 3,92

Ø 60

SINGLE WALL ALUMINIUM



Wall bracket

Dim.	
Cod.	14-60
Note	
Pcs.	10
€/pcs.	€ 5,26

METALLIC



Pipe

Dim.	250 mm	500 mm	1000 mm	2000 mm	
Cod.	1-28AB	1-58AB	1-108AB	1-208AB	
Note	thk. 1 mm	thk. 1 mm	thk. 1 mm	thk. 1 mm	
Pcs.	9	9	9	6	
€/pcs.	€ 9,12	€ 12,20	€ 16,30	€ 30,70	



F/F sleeve

Dim.	200 mm
Cod.	1-148ABB
Note	thk. 1 mm
Pcs.	6
€/pcs.	€ 10,50



M/F bend

Dim.	45°
Cod.	2-48PMF
Note	
Pcs.	12
€/pcs.	€ 11,50



M/F bend

Dim.	90°
Cod.	2-98SMF
Note	
Pcs.	12
€/pcs.	€ 11,80



CLOSE OUT SALE

M/F bend

Dim.	90°
Cod.	2-98PMF
Note	wide radius
Pcs.	12
€/pcs.	€ 18,20



CLOSE OUT SALE

F/F bend

Dim.	90°
Cod.	2-98SFF
Note	
Pcs.	12
€/pcs.	€ 14,50



T element

Dim.	
Cod.	13-80TAB
Note	
Pcs.	4
€/pcs.	€ 19,60



T element

Dim.	
Cod.	13-80SC
Note	with 1/2" condensation drain
Pcs.	2
€/pcs.	€ 20,90



Condensation drain

Dim.	1/2
Cod.	16-80AB
Note	vertical
Pcs.	10
€/pcs.	€ 10,20



Condensation drain

Dim.	3/8" plug
Cod.	16-540MF
Note	
Pcs.	6
€/pcs.	€ 22,50



Reducing adapter

Dim.	Ø 80 F - Ø 100 M
Cod.	8-810AB
Note	
Pcs.	10
€/pcs.	€ 11,80



Increasing adapter

Dim.	Ø 80 F - Ø 60 M
Cod.	8-86AB
Note	
Pcs.	10
€/pcs.	€ 12,30



Clamp with seal

Dim.	40 mm
Cod.	67-48
Note	
Pcs.	20
€/pcs.	€ 4,70



Clamp with seal

Dim.	75 mm
Cod.	67-78
Note	
Pcs.	20
€/pcs.	€ 6,70



Twin wall system

Dim.	Ø 80/80
Cod.	3-88A
Note	Biasi - Euroterm - Farel - Finterm - Hermann - Lamborghini - Radiant - Savio - Sime - Unical
Pcs.	1
€/pcs.	€ 27,60



CLOSE OUT SALE

Twin wall system

Dim.	Ø 80/80
Cod.	3-88E
Note	Ferrolti
Pcs.	1
€/pcs.	€ 29,80



CLOSE OUT SALE

Twin wall system

Dim.	Ø 80/80
Cod.	3-88F
Note	Ferrolti
Pcs.	1
€/pcs.	€ 6,00



CLOSE OUT SALE

Twin wall system

Dim.	Ø 80/80
Cod.	3-880
Note	Baxi
Pcs.	1
€/pcs.	€ 29,10



CLOSE OUT SALE

Adapter

Dim.	Ø 60-100 / Ø 80/80
Cod.	3-88B
Note	Baxi
Pcs.	1
€/pcs.	€ 38,10



CLOSE OUT SALE

Adapter

Dim.	Ø 60-100 / Ø 80/80
Cod.	3-88C
Note	Biasi - Euroterm - Finterm - Hermann - Unical
Pcs.	1
€/pcs.	€ 28,90



CLOSE OUT SALE

Adapter

Dim.	Ø 60-100 / Ø 80/80
Cod.	3-88L
Note	Lamborghini
Pcs.	1
€/pcs.	€ 31,60



CLOSE OUT SALE

Adapter

Dim.	Ø 60-100 / Ø 80/80
Cod.	3-88R
Note	Ecoflam - Rhoss
Pcs.	1
€/pcs.	€ 41,40



Silicone seal

Dim.	
Cod.	20-80
Note	
Pcs.	10
€/pcs.	€ 1,30



Wall cover

Dim.	
Cod.	9-8
Note	metal
Pcs.	20
€/pcs.	€ 4,20



Wall cover

Dim.	
Cod.	9-86
Note	EPDM
Pcs.	20
€/pcs.	€ 4,00



Wall bracket

Dim.	
Cod.	14-80
Note	
Pcs.	10
€/pcs.	€ 6,70



Pipe

Dim.	250 mm	500 mm	1000 mm	2000 mm	
Cod.	1-210AB	1-510AB	1-1010AB	1-2010AB	
Note	thk. 1 mm	thk. 1 mm	thk. 1 mm	thk. 1 mm	
Pcs.	9	9	9	4	
€/pcs.	€ 10,10	€ 14,90	€ 22,40	€ 40,20	



F/F sleeve

Dim.	200 mm
Cod.	1-1410AB
Note	thk. 1 mm
Pcs.	6
€/pcs.	€ 15,60



M/F bend

Dim.	45°
Cod.	2-410PMF
Note	
Pcs.	12
€/pcs.	€ 18,70



M/F bend

Dim.	90°
Cod.	2-910PMF
Note	
Pcs.	12
€/pcs.	€ 23,40



T element

Dim.	
Cod.	13-100XMF
Note	
Pcs.	2
€/pcs.	€ 45,20



Increasing adapter

Dim.	Ø 100 F - Ø 80 M
Cod.	8-108AB
Note	
Pcs.	10
€/pcs.	€ 13,50



Clamp with seal

Dim.	40 mm
Cod.	67-410
Note	
Pcs.	20
€/pcs.	€ 6,51



Clamp with seal

Dim.	75 mm
Cod.	67-710
Note	
Pcs.	20
€/pcs.	€ 8,93



Silicone seal

Dim.	
Cod.	20-100
Note	
Pcs.	10
€/pcs.	€ 1,68



Wall cover

Dim.	
Cod.	9-10
Note	metal
Pcs.	20
€/pcs.	€ 5,57



Wall cover

Dim.	
Cod.	9-106
Note	EPDM
Pcs.	20
€/pcs.	€ 5,36



Wall bracket

Dim.	
Cod.	14-100
Note	
Pcs.	10
€/pcs.	€ 7,98



Pipe

Dim.	250 mm	500 mm	1000 mm		
Cod.	1-213AB	1-513AB	1-1013AB		
Note	thk. 1 mm	thk. 1 mm	thk. 1 mm		
Pcs.	4	4	4		
€/pcs.	€ 13,60	€ 18,50	€ 29,10		



F/F sleeve

Dim.	200 mm
Cod.	1-1413AB
Note	thk. 1 mm
Pcs.	6
€/pcs.	€ 17,60



M/F bend

Dim.	45°
Cod.	2-413PMF
Note	segmented bend
Pcs.	6
€/pcs.	€ 29,80



M/F bend

Dim.	90°
Cod.	2-913PMF
Note	segmented bend
Pcs.	6
€/pcs.	€ 42,00



Silicone seal

Dim.	
Cod.	20-130
Note	
Pcs.	10
€/pcs.	€ 2,20



Wall cover

Dim.	
Cod.	9-13
Note	metal
Pcs.	20
€/pcs.	€ 6,00



Wall bracket

Dim.	
Cod.	14-130
Note	
Pcs.	10
€/pcs.	€ 10,00



Flue sampling

Dim.	3/8" - plug 1/4
Cod.	67-38P
Note	
Pcs.	10
€/pcs.	€ 4,20



Flue sampling

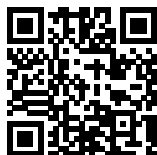
Dim.	Ø 12
Cod.	67-10P
Note	
Pcs.	20
€/pcs.	€ 2,90

CONCENTRIC ALUMINIUM/ALUMINIUM

Available diametres

Ø 60/100

Documentation



DoP

get.atimariani.it/dop/DOP15.pdf



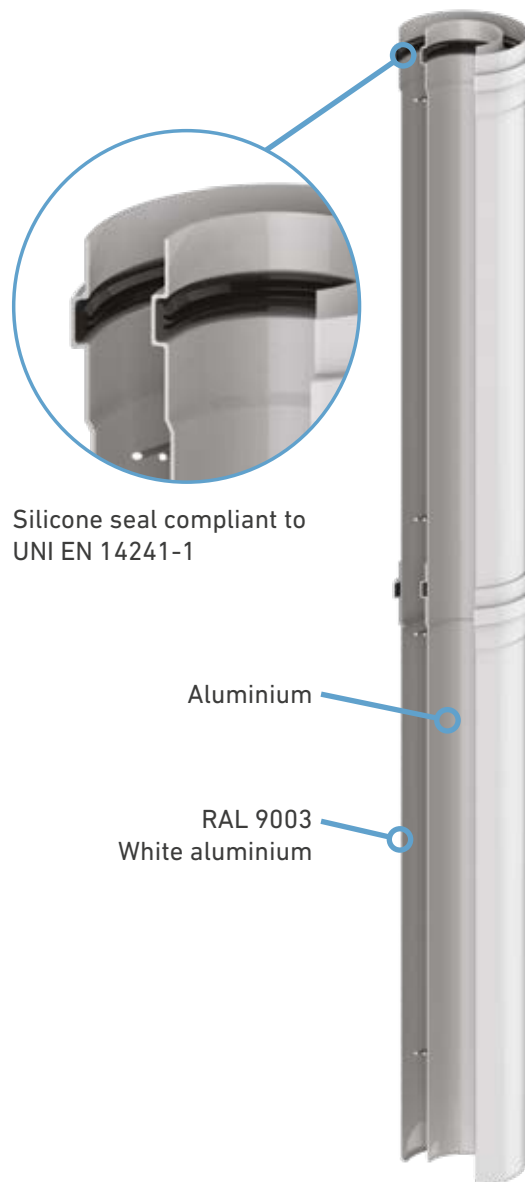
Instruction manual

get.atimariani.it/man/MANUT-FUM-009.pdf



Catalogue section

get.atimariani.it/engcat/ALU-ALU-CO.pdf



Silicone seal compliant to UNI EN 14241-1

Aluminium

RAL 9003
White aluminium

Applications



Indoor
installation



Conventional
devices



Product designation according to UNI EN 14989-2: 2007

Aluminium concentric system.						
Temperature	Pressure	Condensate	Corrosion	Flue liner material specification	Sootfire	Min. distance to combustible material
T200 max 200 °C	P1 200 Pa	W Wet utilization	Vm Corrosion class	L11100 Aluminium 1.0 mm	0 No resistance (with seal)	30 30 mm
T200 max 200 °C	P1 200 Pa	W Wet utilization	V2 Corrosion class	L99150 Aluminium 1.5 mm	0 No resistance (with seal)	30 30 mm



Extension

Dim.	500 mm	1000 mm	2000 mm		
Cod.	KKPC050	KKPC100	KKPC200		
Note					
Pcs.	1	1	1		
€/pcs.	€ 22,00	€ 30,50	€ 54,10		



Roof terminal

Dim.	h 1300 mm
Cod.	45-610M
Note	5° - 30° pitched roof
Pcs.	1
€/pcs.	€ 101,00



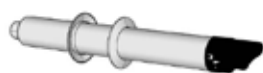
Brown tile

Dim.	500 x 500 mm
Cod.	5-TA
Note	5° - 30° pitched roof
Pcs.	1
€/pcs.	€ 34,50



Horizontal flue terminal

Dim.	1000 mm
Cod.	KXCC100
Note	with stainless steel terminal
Pcs.	1
€/pcs.	€ 44,90



Horizontal flue terminal

Dim.	850 mm
Cod.	KKTAA610
Note	
Pcs.	1
€/pcs.	€ 39,10



M/F bend

Dim.	45°
Cod.	2-4610PMF
Note	
Pcs.	1
€/pcs.	€ 24,00



M/F bend

Dim.	90°
Cod.	2-9610PMF
Note	
Pcs.	1
€/pcs.	€ 25,60



Wall bracket

Dim.	
Cod.	14-100
Note	
Pcs.	10
€/pcs.	€ 7,98



Wall cover

Dim.	
Cod.	9-10
Note	metal
Pcs.	20
€/pcs.	€ 5,57



Wall cover

Dim.	
Cod.	9-106
Note	EPDM
Pcs.	20
€/pcs.	€ 5,36

DOUBLE WALL S. STEEL/ALUMINIUM

Available diametres

Ø 80/100

Documentation



DoP

get.atimariani.it/dop/DOP13.pdf



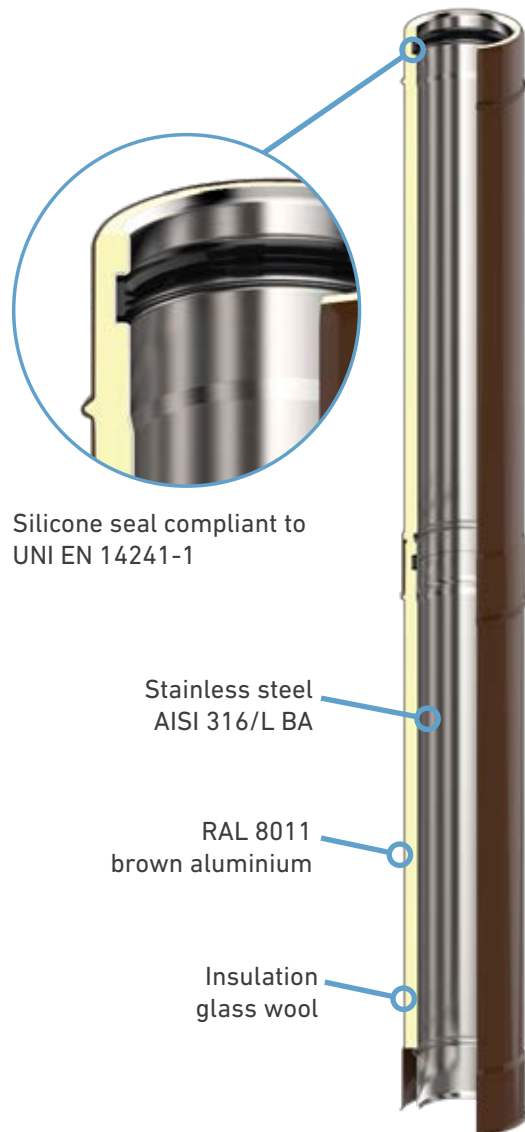
Instruction manual

get.atimariani.it/man/MANUT-FUM-004.pdf



Catalogue section

get.atimariani.it/engcat/INOX-ALU-DW.pdf



Applications



Outdoor installation



Condensing devices



Conventional devices



Pellet burning stoves



Product designation according to UNI EN 1856-1: 2009

Double wall.						
Temperature	Pressure	Condensate	Corrosion	Flue liner material specification	Sootfire	Min. distance to combustible material
T200 max 200 °C	P1 200 Pa	W Wet utilization	V2 Corrosion class	L50050 Stainless steel 316 L 0.5 mm	O No resistance (with seal)	50 50 mm
T250 max 250 °C	N1 40 Pa	D Dry utilization	V2 Corrosion class	L50050 Stainless steel 316 L 0.5 mm	G Resistant (without seal)	150 150 mm



Insulated pipe

Dim.	250 mm	500 mm	1000 mm	2000 mm
Cod.	M6-80XAB	M6-850XAB	M6-810XAB	M6-820XAB
Note	glass wool 6 mm	glass wool 6 mm	glass wool 6 mm	glass wool 6 mm
Pcs.	1	1	1	1
€/pcs.	€ 31,80	€ 44,70	€ 70,10	€ 131,00



Vertical flue terminal

Dim.	h 150 mm
Cod.	M45-100XAB
Note	
Pcs.	1
€/pcs.	€ 42,20



Upper support

Dim.	
Cod.	5-100M
Note	
Pcs.	1
€/pcs.	€ 17,80



Brown tile

Dim.	500 x 500 mm
Cod.	5-TA
Note	5° - 30° pitched roof
Pcs.	1
€/pcs.	€ 34,50



Adjustable pipe

Dim.	Ø 100 - 500 / 850 mm
Cod.	WM6-10T
Note	Ø 80 internal not included
Pcs.	1
€/pcs.	€ 34,00



Insulated bend

Dim.	45°
Cod.	M7-410XAB
Note	6 mm glass wool insulation
Pcs.	1
€/pcs.	€ 61,70



Insulated T Element

Dim.	h 236 mm
Cod.	M13-810XAB
Note	6 mm glass wool insulation
Pcs.	1
€/pcs.	€ 96,50



Condensation drain with ring

Dim.	Ø 80 - 3/4"
Cod.	M16-80SC
Note	vertical
Pcs.	1
€/pcs.	€ 35,50



Wall support

Dim.	140 x 180 x 200 mm
Cod.	M15-810XAB
Note	
Pcs.	1
€/pcs.	€ 84,70



Transition double wall system

Dim.	Ø 80/100 - Ø 80
Cod.	WM6-80AD
Note	
Pcs.	1
€/pcs.	€ 22,70



Wall bracket

Dim.	
Cod.	M14-100
Note	
Pcs.	10
€/pcs.	€ 8,76



Fastening ring

Dim.	
Cod.	M9-10F
Note	
Pcs.	10
€/pcs.	€ 6,70

DOUBLE WALL STAINLESS STEEL/COPPER

Available diametres

Ø 80/100 - Ø 100/130

Documentation



DoP T200

get.atimariani.it/dop/DOP11.pdf



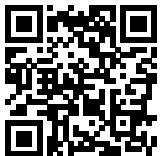
DoP T250

get.atimariani.it/dop/DOP12.pdf



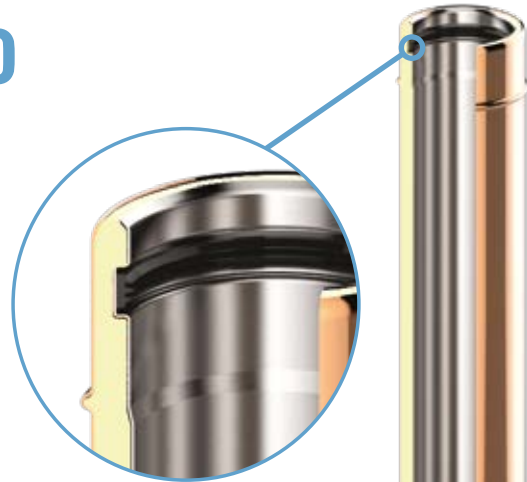
Instruction manual

get.atimariani.it/man/MANUT-FUM-006.pdf

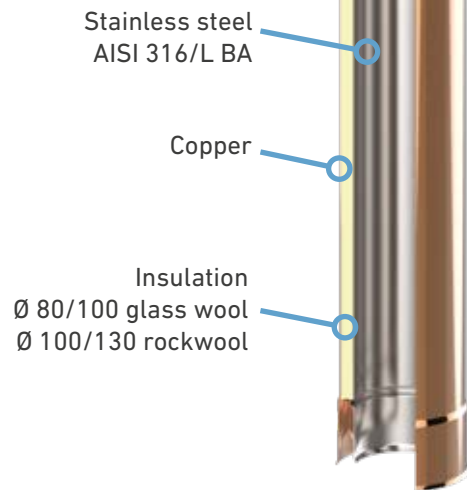


Catalogue section

get.atimariani.it/engcat/INOX-CO-DW.pdf



Silicone seal compliant to UNI EN 14241-1



Stainless steel
AISI 316/L BA

Copper

Insulation
Ø 80/100 glass wool
Ø 100/130 rockwool

Applications



Outdoor
installation



Condensing
devices



Conventional
devices



Pellet burning
stoves



Product designation according to UNI EN 1856-1: 2009

Double wall.						
Temperature	Pressure	Condensate	Corrosion	Flue liner material specification	Sootfire	Min. distance to combustible material
T200 max 200 °C	P1 200 Pa	W Wet utilization	V2 Corrosion class	L50050 Stainless steel 316 L 0.5 mm	O No resistance (with seal)	50 50 mm
T250 max 250 °C	N1 40 Pa	D Dry utilization	V2 Corrosion class	L50050 Stainless steel 316 L 0.5 mm	G Resistant (without seal)	150 150 mm



Insulated pipe

Dim.	250 mm	500 mm	1000 mm	2000 mm	
Cod.	6-80RB	6-850RB	6-810RB	6-820RB	
Note	glass wool 6 mm	glass wool 6 mm	glass wool 6 mm	glass wool 6 mm	
Pcs.	1	1	1	1	
€/pcs.	€ 45,30	€ 63,40	€ 97,70	€ 182,00	



Vertical flue terminal

Dim.	h 144 mm
Cod.	45-100RB
Note	
Pcs.	1
€/pcs.	€ 51,70



Upper support

Dim.	
Cod.	5-100M
Note	
Pcs.	1
€/pcs.	€ 17,80



Brown tile

Dim.	500 x 500 mm
Cod.	5-TA
Note	5° - 30° pitched roof
Pcs.	1
€/pcs.	€ 34,50



Adjustable pipe

Dim.	Ø 100 - 500 / 850 mm
Cod.	WR6-10T
Note	Ø 80 internal not included
Pcs.	1
€/pcs.	€ 38,20



Insulated bend

Dim.	45°
Cod.	7-410RB
Note	6 mm glass wool insulation
Pcs.	1
€/pcs.	€ 83,90



Insulated T Element

Dim.	h 236 mm
Cod.	13-810RB
Note	6 mm glass wool insulation
Pcs.	1
€/pcs.	€ 155,00



Condensation drain with ring

Dim.	Ø 80 - 3/4"
Cod.	16-810RB
Note	vertical
Pcs.	1
€/pcs.	€ 47,30



Wall support

Dim.	140 x 180 x 200 mm
Cod.	15-810RB
Note	
Pcs.	1
€/pcs.	€ 104,00



Transition double wall system

Dim.	Ø 80/100 - Ø 80
Cod.	WR6-80AD
Note	
Pcs.	1
€/pcs.	€ 28,90



Wall bracket

Dim.	
Cod.	14-100R
Note	
Pcs.	10
€/pcs.	€ 10,00



Fastening ring

Dim.	
Cod.	9-10FR
Note	
Pcs.	10
€/pcs.	€ 9,35



Insulated pipe

Dim.	250 mm	500 mm	1000 mm	2000 mm
Cod.	6-103RB	6-1053RB	6-1013RB	6-1023RB
Note	rock wool 14 mm	rock wool 14 mm	rock wool 14 mm	rock wool 14 mm
Pcs.	1	1	1	1
€/pcs.	€ 61,50	€ 80,60	€ 124,00	€ 241,00



Vertical flue terminal

Dim.	h 220 mm
Cod.	45-1013RB
Note	
Pcs.	1
€/pcs.	€ 61,70



Upper support

Dim.	
Cod.	5-130R
Note	
Pcs.	1
€/pcs.	€ 24,70



Brown tile

Dim.	500 x 500 mm
Cod.	5-TA
Note	5° - 30° pitched roof
Pcs.	1
€/pcs.	€ 34,50



Insulated bend

Dim.	45°
Cod.	7-1013RB
Note	14 mm rock wool insulation
Pcs.	1
€/pcs.	€ 107,00



Insulated T Element

Dim.	h 265 mm
Cod.	13-1030RB
Note	14 mm rock wool insulation
Pcs.	1
€/pcs.	€ 191,00



Insulated T Element

Dim.	h 265 mm - reduced Ø 80
Cod.	13-1038RB
Note	14 mm rock wool insulation
Pcs.	1
€/pcs.	€ 183,00



Condensation drain with ring

Dim.	Ø 100 - 3/4"
Cod.	16-1013RB
Note	vertical
Pcs.	1
€/pcs.	€ 54,70



Wall support

Dim.	140 x 180 x 200 mm
Cod.	15-1013RB
Note	
Pcs.	1
€/pcs.	€ 96,90



Wall bracket

Dim.	
Cod.	14-130R
Note	
Pcs.	10
€/pcs.	€ 10,80



Fastening ring

Dim.	
Cod.	9-13FR
Note	
Pcs.	10
€/pcs.	€ 9,17

T200-T250 FLUE SYSTEMS FOR PELLETT STOVES

SINGLE WALL

210



prices.atimariani.it/ati



BLACK STAINLESS STEEL SINGLE WALL

Ø 80 - Ø 100 - Ø 120

210

DOUBLE WALL

219



prices.atimariani.it/ati



ST. STEEL/BLACK ALUMINIUM Ø 100/130

219



ST. STEEL/BLACK ST. STEEL Ø 100/150

222



ST. STEEL/BROWN ALUMINIUM Ø 80/100

225



ST. STEEL/COPPER Ø 80/100

228

ST. STEEL/COPPER Ø 100/130

231

SINGLE WALL STAINLESS STEEL AISI 316/L

Available diametres

Ø 80÷120

Documentation



DoP T200

get.atimariani.it/dop/DOP08.pdf



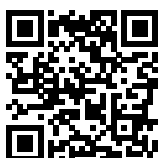
DoP T250

get.atimariani.it/dop/DOP09.pdf



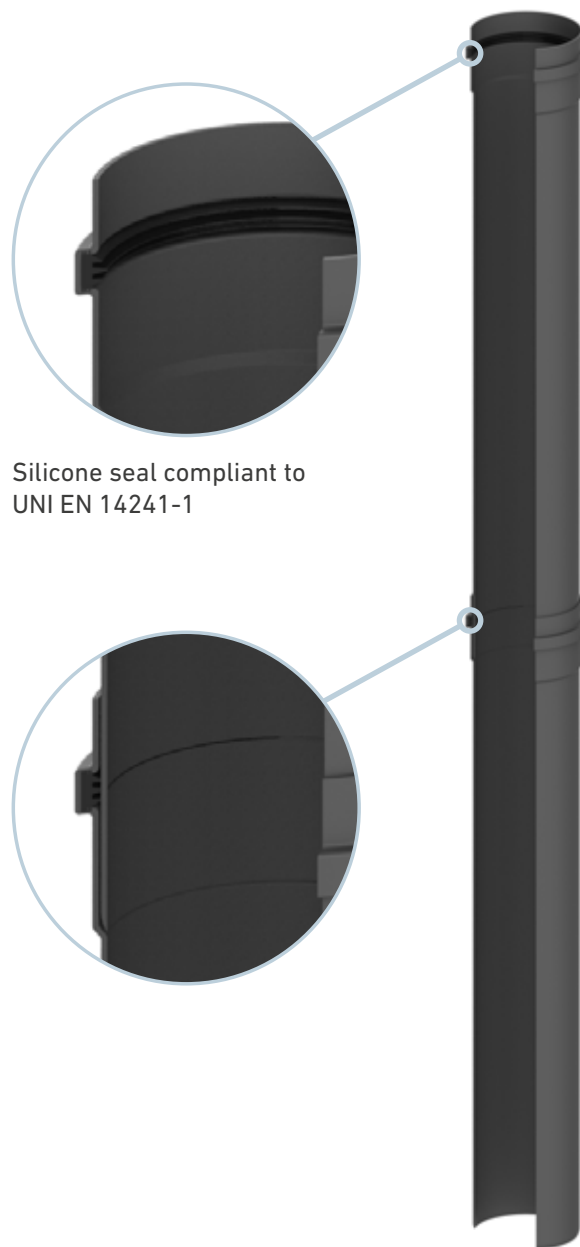
Instruction manual

get.atimariani.it/man/MANUT-FUM-003.pdf



Catalogue section

get.atimariani.it/engcat/INOX-BK-SW.pdf



Silicone seal compliant to
UNI EN 14241-1

Applications



**Indoor
installation**



**Pellet burning
stoves**



Product designation according to UNI EN 1856-2: 2009

Stainless steel single wall.

Temperature	Pressure	Condensate	Corrosion	Flue liner material specification	Sootfire	Min. distance to combustible material
T250 max 250 °C	N1 40 Pa	D Dry utilization	V2 Corrosion class	L50050 Stainless steel 0.5 mm	G Resistant (without seal)	700M 700 mm
T250 max 250 °C	N1 40 Pa	D Dry utilization	V2 Corrosion class	L50080 Stainless steel 0.8 mm	G Resistant (without seal)	700M 700 mm



Product designation according to UNI EN 1856-2: 2009

Stainless steel single wall.

Temperature	Pressure	Condensate	Corrosion	Flue liner material specification	Sootfire	Min. distance to combustible material
T200 max 200 °C	P1 200 Pa	W Wet utilization	V2 Corrosion class	L50050 Stainless steel 0.5 mm	O No resistance (silicone seal)	40M 40 mm
T200 max 200 °C	P1 200 Pa	W Wet utilization	V2 Corrosion class	L50080 Stainless steel 0.8 mm	O No resistance (silicone seal)	40M 40 mm
T250 max 250 °C	P1 200 Pa	W Wet utilization	V2 Corrosion class	L50050 Stainless steel 0.5 mm	O No resistance (FKM seal)	70M 70 mm
T250 max 250 °C	P1 200 Pa	W Wet utilization	V2 Corrosion class	L50080 Stainless steel 0.8 mm	O No resistance (FKM seal)	70M 70 mm



Product designation according to UNI EN 1856-1: 2009

Stainless steel single wall.

Temperature	Pressure	Condensate	Corrosion	Flue liner material specification	Sootfire	Min. distance to combustible material
T200 max 200 °C	P1 200 Pa	W Wet utilization	V2 Corrosion class	L50050 Stainless steel 0.5 mm	O No resistance (silicone seal)	60 60 mm
T200 max 200 °C	P1 200 Pa	W Wet utilization	V2 Corrosion class	L50080 Stainless steel 0.8 mm	O No resistance (silicone seal)	60 60 mm
T250 max 250 °C	P1 200 Pa	W Wet utilization	V2 Corrosion class	L50050 Stainless steel 0.5 mm	O No resistance (FKM seal)	70 70 mm
T250 max 250 °C	P1 200 Pa	W Wet utilization	V2 Corrosion class	L50080 Stainless steel 0.8 mm	O No resistance (FKM seal)	70 70 mm



Pipe

Dim.	250 mm	500 mm	1000 mm	1500 mm	2000 mm
Cod.	NS1-28X	NS1-58X	NS1-108X	NS1-158X	NS1-208X
Note	thk. 0,5 mm	thk. 0,5 mm	thk. 0,5 mm	thk. 0,5 mm	thk. 0,5 mm
Pcs.	4	9	9	6	6
€/pcs.	€ 15,20	€ 18,50	€ 29,50	€ 42,60	€ 56,00



Adjustable pipe

Dim.	100 / 250 mm
Cod.	NS1-28XT
Note	thk. 0,5 mm
Pcs.	1
€/pcs.	€ 17,20



pipe with measuring point

Dim.	250 mm
Cod.	NS1-28XP
Note	thk. 0,5 mm
Pcs.	4
€/pcs.	€ 19,70



M/M sleeve

Dim.	100 mm
Cod.	NS1-18X
Note	thk. 0,5 mm
Pcs.	9
€/pcs.	€ 7,10



F/F sleeve

Dim.	120 mm
Cod.	NS1-148X
Note	thk. 0,5 mm
Pcs.	6
€/pcs.	€ 19,30



M/F bend

Dim.	45°
Cod.	NS2-48XP
Note	bended from pipe - thk. 0,8 mm
Pcs.	6
€/pcs.	€ 22,00



M/F bend

Dim.	45°
Cod.	NS2-48X
Note	segment bend - thk. 0,5 mm
Pcs.	6
€/pcs.	€ 20,00



M/F bend

Dim.	90°
Cod.	NS2-98XP
Note	bended from pipe - thk. 0,8 mm
Pcs.	6
€/pcs.	€ 27,50



M/F bend

Dim.	90°
Cod.	NS2-98X
Note	segment bend - thk. 0,5 mm
Pcs.	6
€/pcs.	€ 23,20



M/F bend

Dim.	90°
Cod.	NS2-98XIS
Note	with inspection plug
Pcs.	1
€/pcs.	€ 60,00



T element

Dim.	h 194 mm
Cod.	NS13-80XMF
Note	M/F - thk. 0,5 mm
Pcs.	4
€/pcs.	€ 33,00



T element

Dim.	h 194 mm
Cod.	NS13-80XFF
Note	F/F - thk. 0,5 mm
Pcs.	4
€/pcs.	€ 35,20



T element

Dim.	h 197 mm
Cod.	NS13-80XIS
Note	F/F - with inspection
Pcs.	1
€/pcs.	€ 54,10



Seal for inspection

Dim.	
Cod.	VNS20-IS
Note	FKM - T250
Pcs.	1
€/pcs.	€ 3,10



Plug

Dim.	
Cod.	NS12-80X
Note	
Pcs.	4
€/pcs.	€ 16,70



Condensation drain

Dim.	3/4"
Cod.	NS4-8SX
Note	vertical
Pcs.	4
€/pcs.	€ 19,30



Increasing adapter

Dim.	Ø 80 F - Ø 100 M
Cod.	NS8-108XMF
Note	
Pcs.	1
€/pcs.	€ 32,20



Silicone seal

Dim.	
Cod.	20-80
Note	
Pcs.	10
€/pcs.	€ 1,30



FKM seal

Dim.	
Cod.	VNS20-80
Note	FKM - T250
Pcs.	10
€/pcs.	€ 3,30



Wall cover through the wall

Dim.	Øi 80 - Øe 180
Cod.	NS9-828X
Note	l 250 mm - thk. 0,5 mm
Pcs.	1
€/pcs.	€ 30,90



Wall cover

Dim.	Øi 80 - Øe 140
Cod.	NS9-8
Note	metal
Pcs.	20
€/pcs.	€ 5,80



Wall cover

Dim.	Øi 80 - Øe 180
Cod.	NS9-8L
Note	metal
Pcs.	20
€/pcs.	€ 6,20



Wall cover

Dim.	Øi 80 - Øe 142
Cod.	NS9-86
Note	silicone
Pcs.	20
€/pcs.	€ 5,60



Fastening ring

Dim.	
Cod.	NS9-8F
Note	inox
Pcs.	10
€/pcs.	€ 6,50



Wall bracket

Dim.	
Cod.	NS14-80
Note	
Pcs.	10
€/pcs.	€ 8,00



Vertical flue terminal

Dim.	h 152
Cod.	NS6-8CX
Note	male
Pcs.	5
€/pcs.	€ 34,50



Horizontal flue terminal

Dim.	l 146 mm
Cod.	NS10-8SMX
Note	male
Pcs.	4
€/pcs.	€ 21,30



Horizontal flue terminal

Dim.	
Cod.	NS10-48XP
Note	inox - thk. 0,8 mm
Pcs.	6
€/pcs.	€ 38,50



Pipe

Dim.	250 mm	500 mm	1000 mm	1500 mm
Cod.	NS1-210X	NS1-510X	NS1-1010X	NS1-1510X
Note	thk. 0,5 mm	thk. 0,5 mm	thk. 0,5 mm	thk. 0,5 mm
Pcs.	9	9	9	4
€/pcs.	€ 18,60	€ 23,40	€ 36,10	€ 54,20



M/M sleeve

Dim.	100 mm
Cod.	NS1-110X
Note	M/M - sp. 0,5 mm
Pcs.	4
€/pcs.	€ 9,29



F/F sleeve

Dim.	120 mm
Cod.	NS1-1410X
Note	F/F - thk. 0,5 mm
Pcs.	4
€/pcs.	€ 23,70



M/F bend

Dim.	45°
Cod.	NS2-410XP
Note	bended from pipe - thk. 0,8 mm
Pcs.	4
€/pcs.	€ 22,40



M/F bend

Dim.	90°
Cod.	NS2-910XP
Note	bended from pipe - thk. 0,8 mm
Pcs.	4
€/pcs.	€ 29,70



T element

Dim.	h 250 mm
Cod.	NS13-100XFF
Note	F/F - thk. 0,5 mm
Pcs.	4
€/pcs.	€ 38,10



T element

Dim.	h 250 mm - reduced Ø 80
Cod.	NS13-108XFF
Note	F/F - thk. 0,5 mm
Pcs.	4
€/pcs.	€ 38,10



Condensation drain

Dim.	3/4"
Cod.	NS4-10SX
Note	vertical
Pcs.	4
€/pcs.	€ 21,30



Increasing adapter

Dim.	Ø 100 F - Ø 80 M
Cod.	NS8-108X
Note	
Pcs.	1
€/pcs.	€ 32,80



Silicone seal

Dim.	20-100
Cod.	
Note	
Pcs.	10
€/pcs.	€ 1,68



FKM seal

Dim.	
Cod.	VNS20-100
Note	FKM - T250
Pcs.	10
€/pcs.	€ 4,29



Wall cover

Dim.	Øi 100 - Øe 180
Cod.	NS9-10
Note	metal
Pcs.	20
€/pcs.	€ 6,84



Wall cover

Dim.	Øi 100 - Øe 162
Cod.	NS9-106
Note	silicone
Pcs.	20
€/pcs.	€ 6,33



Fastening ring

Dim.	
Cod.	NS9-10F
Note	inox
Pcs.	10
€/pcs.	€ 6,84



Wall bracket

Dim.	
Cod.	NS14-100
Note	
Pcs.	10
€/pcs.	€ 9,29



Vertical flue terminal

Dim.	h 154 mm
Cod.	NS6-10CX
Note	male
Pcs.	3
€/pcs.	€ 36,60



Horizontal flue terminal

Dim.	l 143 mm
Cod.	NS10-10SMX
Note	male
Pcs.	3
€/pcs.	€ 23,20



CLOSE OUT SALE

Pipe

Dim.	250 mm	500 mm	1000 mm
Cod.	NS1-212X	NS1-512X	NS1-1012X
Note	thk. 0,5 mm	thk. 0,5 mm	thk. 0,5 mm
Pcs.	4	4	4
€/pcs.	€ 20,30	€ 25,00	€ 37,90



CLOSE OUT SALE

M/F bend

Dim.	45°
Cod.	NS2-412XP
Note	bended from pipe - thk. 0,8 mm
Pcs.	4
€/pcs.	€ 25,00



CLOSE OUT SALE

M/F bend

Dim.	90°
Cod.	NS2-912XP
Note	bended from pipe - thk. 0,8 mm
Pcs.	4
€/pcs.	€ 35,40



CLOSE OUT SALE

T element

Dim.	h 250 mm
Cod.	NS13-120XFF
Note	F/F - thk. 0,5 mm
Pcs.	4
€/pcs.	€ 42,00



CLOSE OUT SALE

Condensation drain

Dim.	3/4
Cod.	NS4-12SX
Note	vertical
Pcs.	1
€/pcs.	€ 26,30



Silicone seal

Dim.	
Cod.	20-120
Note	
Pcs.	10
€/pcs.	€ 2,30



CLOSE OUT SALE

Wall cover

Dim.	Øi 120 - Øe 170
Cod.	NS9-12
Note	metal
Pcs.	20
€/pcs.	€ 7,60



CLOSE OUT SALE

Fastening ring

Dim.	
Cod.	NS9-12F
Note	inox
Pcs.	10
€/pcs.	€ 7,10



CLOSE OUT SALE

Wall bracket

Dim.	
Cod.	NS14-120
Note	
Pcs.	10
€/pcs.	€ 10,50



CLOSE OUT SALE

Vertical flue terminal

Dim.	h 196 mm
Cod.	NS6-12CX
Note	male
Pcs.	2
€/pcs.	€ 38,10



CLOSE OUT SALE

Horizontal flue terminal

Dim.	L. 140 mm
Cod.	NS10-12SMX
Note	male
Pcs.	2
€/pcs.	€ 23,60

DOUBLE WALL STAINLESS STEEL/ALUMINIUM

Available diametres

Ø 80/130

Documentation



DoP T200

get.atimariani.it/dop/DOP13.pdf



DoP T250

get.atimariani.it/dop/DOP14.pdf



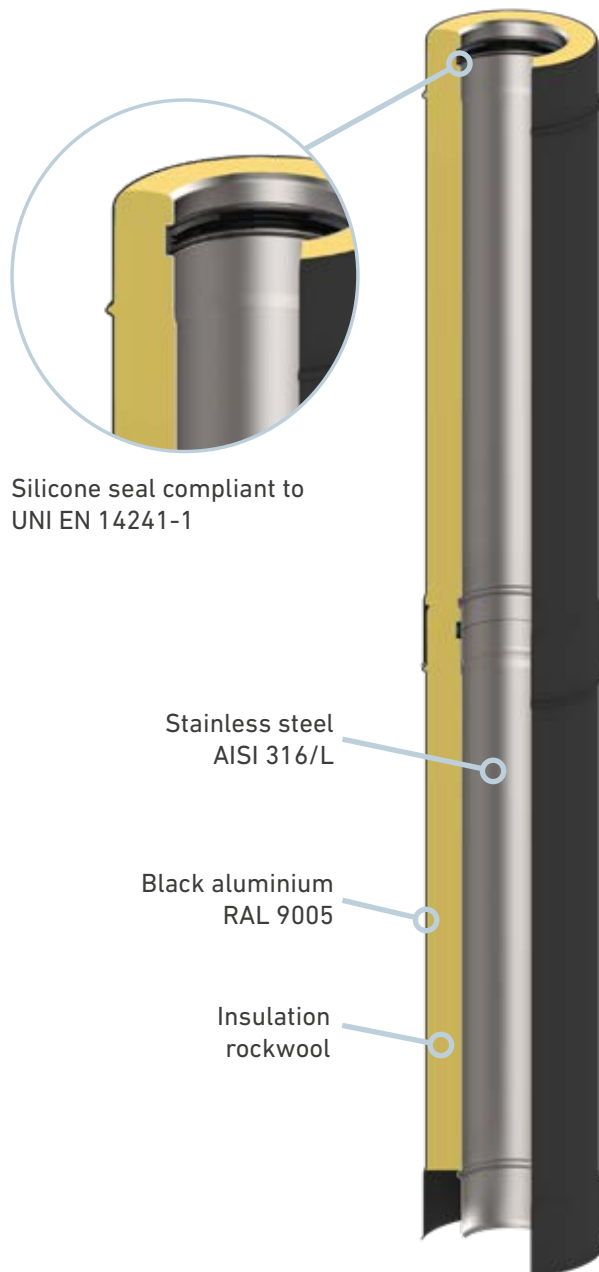
Instruction manual

get.atimariani.it/man/MANUT-FUM-005.pdf



Catalogue section

get.atimariani.it/engcat/INOX-ALU-BK-DW.pdf



Silicone seal compliant to UNI EN 14241-1

Stainless steel
AISI 316/L

Black aluminium
RAL 9005

Insulation
rockwool

Applications



**Outdoor
installation**



**Pellet burning
stoves**



Product designation according to UNI EN 1856-1: 2009

Double wall.						
Temperature	Pressure	Condensate	Corrosion	Flue liner material specification	Sootfire	Min. distance to combustible material
T200 max 200 °C	P1 200 Pa	W Wet utilization	V2 Corrosion class	L50050 Stainless steel AISI 316 L 0.5 mm	0 No resistance (silicone seal)	50 50 mm
T250 max 250 °C	P1 200 Pa	W Wet utilization	V2 Corrosion class	L50050 Stainless steel AISI 316 L 0.5 mm	0 No resistance (FKM seal)	70 70 mm
T250 max 250 °C	N1 40 Pa	D Dry utilization	V2 Corrosion class	L50050 Stainless steel AISI 316 L 0.8 mm	G Resistant (without seal)	150 150 mm



Insulated pipe

Dim.	250 mm	500 mm	1000 mm	2000 mm
Cod.	N6-83XAB	N6-853XAB	N6-813XAB	N6-823XAB
Note	rock wool 25 mm	rock wool 25 mm	rock wool 25 mm	rock wool 25 mm
Pcs.	1	1	1	1
€/pcs.	€ 38,00	€ 52,30	€ 83,20	€ 153,00



Vertical flue terminal

Dim.	h.165 mm
Cod.	N45-130XAB
Note	
Pcs.	1
€/pcs.	€ 44,70



Roof terminal

Dim.	h.1075 mm
Cod.	N45-813XAB
Note	
Pcs.	1
€/pcs.	€ 114,00



Black tile

Dim.	500 x 500 mm
Cod.	N5-TA
Note	5° - 30° pitched roof
Pcs.	1
€/pcs.	€ 32,30



Black tile

Dim.	450 x 450 mm
Cod.	N5-TA50
Note	25° - 50° pitched roof
Pcs.	1
€/pcs.	€ 47,10



Insulated bend

Dim.	45°
Cod.	N7-413XAB
Note	rock wool 25 mm
Pcs.	1
€/pcs.	€ 67,20



Insulated T Element

Dim.	
Cod.	N13-813XAB
Note	rock wool 25 mm
Pcs.	1
€/pcs.	€ 112,00



Condensation drain with ring

Dim.	3/4"
Cod.	N4-83XAB
Note	vertical
Pcs.	1
€/pcs.	€ 31,60



Wall support

Dim.	140 x 180 x 200 mm
Cod.	N15-SUP
Note	
Pcs.	1
€/pcs.	€ 84,70



Transition double wall system

Dim.	Ø 80 - Ø 80/130
Cod.	N6-83AD
Note	
Pcs.	1
€/pcs.	€ 23,60



Wall cover

Dim.	Øi 136 - Øe 220
Cod.	N9-13
Note	metal
Pcs.	1
€/pcs.	€ 14,40



Wall Cover

Dim.	Øi 130 - Øe 210
Cod.	N9-136
Note	silicone
Pcs.	20
€/pcs.	€ 12,10



Fastening ring

Dim.	
Cod.	N9-13F
Note	inox
Pcs.	10
€/pcs.	€ 7,83



Wall bracket

Dim.	
Cod.	N14-COL130
Note	inox
Pcs.	1
€/pcs.	€ 24,10



Extension for bracket

Dim.	l 200
Cod.	N14-STAF20
Note	inox
Pcs.	1
€/pcs.	€ 18,30



Storm collar

Dim.	h 100
Cod.	N45-130X
Note	inox
Pcs.	1
€/pcs.	€ 25,10

DOUBLE WALL S. STEEL/BLACK S. STEEL

Available diametres

Ø 100/150

Documentation



DoP

get.atimariani.it/dop/DOP26.pdf



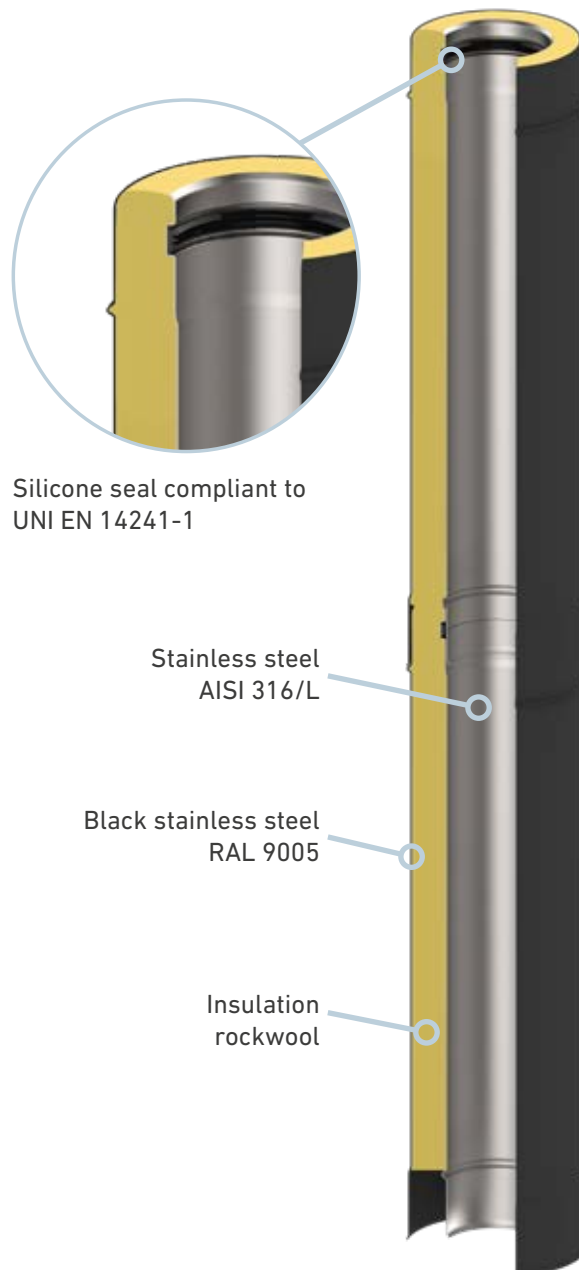
Instruction manual

get.atimariani.it/man/MANUT-FUM-011.pdf



Catalogue section

get.atimariani.it/engcat/INOX-INOX-BK-DW.pdf



Applications



Outdoor installation



Pellet burning stoves



Product designation according to UNI EN 1856-1: 2009

Double wall.						
Temperature	Pressure	Condensate	Corrosion	Flue liner material specification	Sootfire	Min. distance to combustible material
T200 max 200 °C	P1 200 Pa	W Wet utilization	V2 Corrosion class	L50050 Stainless steel AISI 316 L 0.5 mm	O No resistance (silicone seal)	150M 150 mm
T250 max 250 °C	N1 40 Pa	D Dry utilization	V2 Corrosion class	L50050 Stainless steel AISI 316 L 0.5 mm	G Resistant (without seal)	150M 150 mm



Insulated pipe

Dim.	250 mm	500 mm	1000 mm		
Cod.	N6-101502X	N6-101505X	N6-101510X		
Note	rock wool 25 mm	rock wool 25 mm	rock wool 25 mm		
Pcs.	1	1	1		
€/pcs.	€ 50,10	€ 69,00	€ 109,00		



Vertical flue terminal

Dim.	h 220 mm
Cod.	N45-10151X
Note	
Pcs.	1
€/pcs.	€ 94,60



Black tile

Dim.	450 x 450 mm
Cod.	N5-T15X
Note	5° - 45° pitched roof
Pcs.	1
€/pcs.	€ 77,90



Insulated bend

Dim.	45°
Cod.	N7-101545X
Note	rock wool 25 mm
Pcs.	1
€/pcs.	€ 87,90



Insulated T Element

Dim.	with inspection plug
Cod.	N13-10151X
Note	rock wool 25 mm
Pcs.	1
€/pcs.	€ 164,00



Insulated T Element

Dim.	45°
Cod.	N13-10154X
Note	rock wool 25 mm
Pcs.	1
€/pcs.	€ 156,00



Insulated T Element

Dim.	90°
Cod.	N13-10159X
Note	rock wool 25 mm
Pcs.	1
€/pcs.	€ 147,00



Condensation drain with ring

Dim.	
Cod.	N4-101501X
Note	rock wool 25 mm
Pcs.	1
€/pcs.	€ 43,40



Wall support

Dim.	
Cod.	N15-10151X
Note	rock wool 25 mm
Pcs.	1
€/pcs.	€ 134,00



Transition

Dim.	Ø 150 - Ø 100
Cod.	N6-1015AD
Note	
Pcs.	1
€/pcs.	€ 31,00



Wall cover

Dim.	250 mm
Cod.	N9-15
Note	
Pcs.	1
€/pcs.	€ 16,70



Wall cover

Dim.	Øi 150 - Øe 230
Cod.	N9-156
Note	silicone
Pcs.	20
€/pcs.	€ 14,80



Fastening ring

Dim.	500 mm
Cod.	N9-15F
Note	inox
Pcs.	1
€/pcs.	€ 11,80



Wall bracket

Dim.	1000 mm
Cod.	N14-COL150
Note	inox
Pcs.	1
€/pcs.	€ 31,20

DOUBLE WALL S. STEEL/ALUMINIUM

Available diametres

Ø 80/100

Documentation



DoP

get.atimariani.it/dop/DOP13.pdf



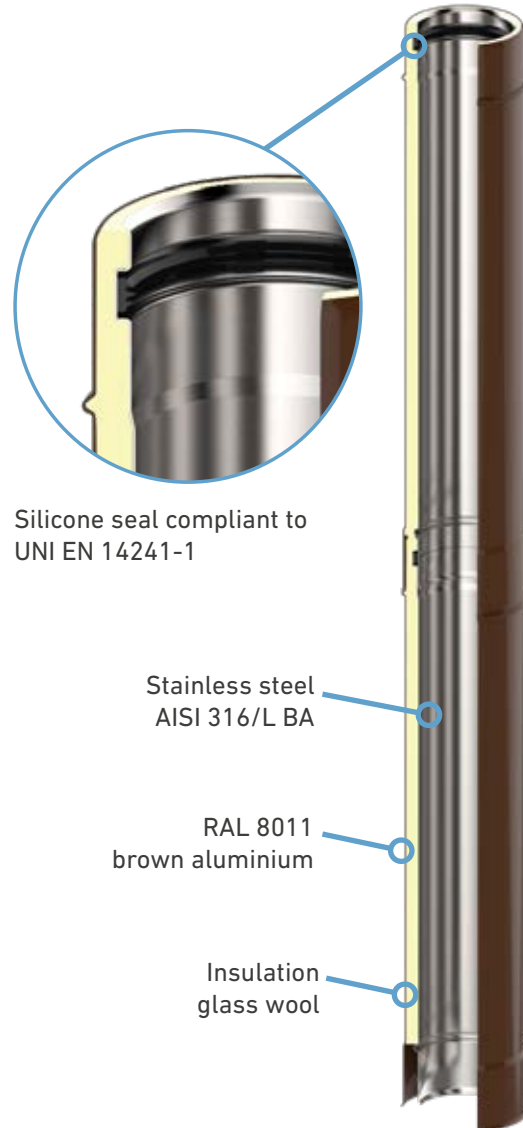
Instruction manual

get.atimariani.it/man/MANUT-FUM-004.pdf



Catalogue section

get.atimariani.it/engcat/INOX-ALU-DW.pdf



Silicone seal compliant to UNI EN 14241-1

Stainless steel
AISI 316/L BA

RAL 8011
brown aluminium

Insulation
glass wool

Applications



Outdoor
installation



Condensing
devices



Conventional
devices



Pellet burning
stoves



Product designation according to UNI EN 1856-1: 2009

Double wall.						
Temperature	Pressure	Condensate	Corrosion	Flue liner material specification	Sootfire	Min. distance to combustible material
T200 max 200 °C	P1 200 Pa	W Wet utilization	V2 Corrosion class	L50050 Stainless steel 316 L 0.5 mm	O No resistance (with seal)	50 50 mm
T250 max 250 °C	N1 40 Pa	D Dry utilization	V2 Corrosion class	L50050 Stainless steel 316 L 0.5 mm	G Resistant (without seal)	150 150 mm



Insulated pipe

Dim.	250 mm	500 mm	1000 mm	2000 mm
Cod.	M6-80XAB	M6-850XAB	M6-810XAB	M6-820XAB
Note	glass wool 6 mm	glass wool 6 mm	glass wool 6 mm	glass wool 6 mm
Pcs.	1	1	1	1
€/pcs.	€ 31,80	€ 44,70	€ 70,10	€ 131,00



Vertical flue terminal

Dim.	h 150 mm
Cod.	M45-100XAB
Note	
Pcs.	1
€/pcs.	€ 42,20



Upper support

Dim.	
Cod.	5-100M
Note	
Pcs.	1
€/pcs.	€ 17,80



Brown tile

Dim.	500 x 500 mm
Cod.	5-TA
Note	5° - 30° pitched roof
Pcs.	1
€/pcs.	€ 34,50



Adjustable pipe

Dim.	Ø 100 - 500 / 850 mm
Cod.	WM6-10T
Note	Ø 80 internal not included
Pcs.	1
€/pcs.	€ 34,00



Insulated bend

Dim.	45°
Cod.	M7-410XAB
Note	6 mm glass wool insulation
Pcs.	1
€/pcs.	€ 61,70



Insulated T Element

Dim.	h 236 mm
Cod.	M13-810XAB
Note	6 mm glass wool insulation
Pcs.	1
€/pcs.	€ 96,50



Condensation drain with ring

Dim.	Ø 80 - 3/4"
Cod.	M16-80SC
Note	vertical
Pcs.	1
€/pcs.	€ 35,50



Wall support

Dim.	140 x 180 x 200 mm
Cod.	M15-810XAB
Note	
Pcs.	1
€/pcs.	€ 84,70



Transition double wall system

Dim.	Ø 80/100 - Ø 80
Cod.	WM6-80AD
Note	
Pcs.	1
€/pcs.	€ 22,70



Wall bracket

Dim.	
Cod.	M14-100
Note	
Pcs.	10
€/pcs.	€ 8,76



Fastening ring

Dim.	
Cod.	M9-10F
Note	
Pcs.	10
€/pcs.	€ 6,70

DOUBLE WALL STAINLESS STEEL/COPPER

Available diametres

Ø 80/100 - Ø 100/130

Documentation



DoP T200

get.atimariani.it/dop/DOP11.pdf



DoP T250

get.atimariani.it/dop/DOP12.pdf



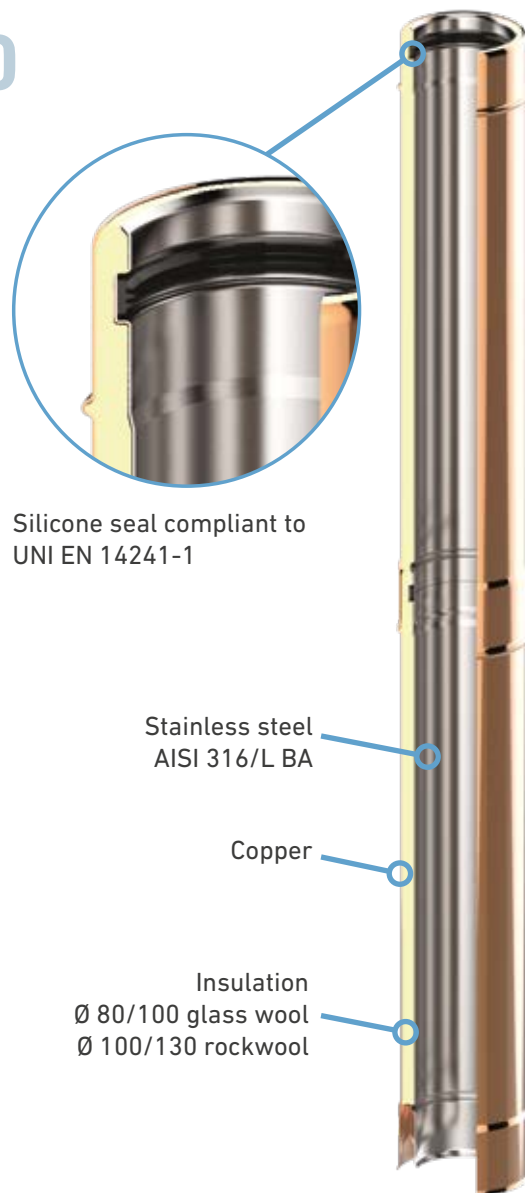
Instruction manual

get.atimariani.it/man/MANUT-FUM-006.pdf



Catalogue section

get.atimariani.it/engcat/INOX-CO-DW.pdf



Silicone seal compliant to UNI EN 14241-1

Stainless steel
AISI 316/L BA

Copper

Insulation
Ø 80/100 glass wool
Ø 100/130 rockwool

Applications



**Outdoor
installation**



**Condensing
devices**



**Conventional
devices**



**Pellet burning
stoves**



Product designation according to UNI EN 1856-1: 2009

Double wall.						
Temperature	Pressure	Condensate	Corrosion	Flue liner material specification	Sootfire	Min. distance to combustible material
T200 max 200 °C	P1 200 Pa	W Wet utilization	V2 Corrosion class	L50050 Stainless steel 316 L 0.5 mm	O No resistance (with seal)	50 50 mm
T250 max 250 °C	N1 40 Pa	D Dry utilization	V2 Corrosion class	L50050 Stainless steel 316 L 0.5 mm	G Resistant (without seal)	150 150 mm



Insulated pipe

Dim.	250 mm	500 mm	1000 mm	2000 mm
Cod.	6-80RB	6-850RB	6-810RB	6-820RB
Note	glass wool 6 mm	glass wool 6 mm	glass wool 6 mm	glass wool 6 mm
Pcs.	1	1	1	1
€/pcs.	€ 45,30	€ 63,40	€ 97,70	€ 182,00



Vertical flue terminal

Dim.	h 144 mm
Cod.	45-100RB
Note	
Pcs.	1
€/pcs.	€ 51,70



Upper support

Dim.	
Cod.	5-100M
Note	
Pcs.	1
€/pcs.	€ 17,80



Brown tile

Dim.	500 x 500 mm
Cod.	5-TA
Note	5° - 30° pitched roof
Pcs.	1
€/pcs.	€ 34,50



Adjustable pipe

Dim.	Ø 100 - 500 / 850 mm
Cod.	WR6-10T
Note	Ø 80 internal not included
Pcs.	1
€/pcs.	€ 38,20



Insulated bend

Dim.	45°
Cod.	7-410RB
Note	6 mm glass wool insulation
Pcs.	1
€/pcs.	€ 83,90



Insulated T Element

Dim.	h 236 mm
Cod.	13-810RB
Note	6 mm glass wool insulation
Pcs.	1
€/pcs.	€ 155,00



Condensation drain with ring

Dim.	Ø 80 - 3/4"
Cod.	16-810RB
Note	vertical
Pcs.	1
€/pcs.	€ 47,30



Wall support

Dim.	140 x 180 x 200 mm
Cod.	15-810RB
Note	
Pcs.	1
€/pcs.	€ 104,00



Transition double wall system

Dim.	Ø 80/100 - Ø 80
Cod.	WR6-80AD
Note	
Pcs.	1
€/pcs.	€ 28,90



Wall bracket

Dim.	
Cod.	14-100R
Note	
Pcs.	10
€/pcs.	€ 10,00



Fastening ring

Dim.	
Cod.	9-10FR
Note	
Pcs.	10
€/pcs.	€ 9,35



Insulated pipe

Dim.	250 mm	500 mm	1000 mm	2000 mm
Cod.	6-103RB	6-1053RB	6-1013RB	6-1023RB
Note	rock wool 14 mm	rock wool 14 mm	rock wool 14 mm	rock wool 14 mm
Pcs.	1	1	1	1
€/pcs.	€ 61,50	€ 80,60	€ 124,00	€ 241,00



Vertical flue terminal

Dim.	h 220 mm
Cod.	45-1013RB
Note	
Pcs.	1
€/pcs.	€ 61,70



Upper support

Dim.	
Cod.	5-130R
Note	
Pcs.	1
€/pcs.	€ 24,70



Brown tile

Dim.	500 x 500 mm
Cod.	5-TA
Note	5° - 30° pitched roof
Pcs.	1
€/pcs.	€ 34,50



Insulated bend

Dim.	45°
Cod.	7-1013RB
Note	14 mm rock wool insulation
Pcs.	1
€/pcs.	€ 107,00



Insulated T Element

Dim.	h 265 mm
Cod.	13-1030RB
Note	14 mm rock wool insulation
Pcs.	1
€/pcs.	€ 191,00



Insulated T Element

Dim.	h 265 mm - reduced Ø 80
Cod.	13-1038RB
Note	14 mm rock wool insulation
Pcs.	1
€/pcs.	€ 183,00



Condensation drain with ring

Dim.	Ø 100 - 3/4"
Cod.	16-1013RB
Note	vertical
Pcs.	1
€/pcs.	€ 54,70



Wall support

Dim.	140 x 180 x 200 mm
Cod.	15-1013RB
Note	
Pcs.	1
€/pcs.	€ 96,90



Wall bracket

Dim.	
Cod.	14-130R
Note	
Pcs.	10
€/pcs.	€ 10,80



Fastening ring

Dim.	
Cod.	9-13FR
Note	
Pcs.	10
€/pcs.	€ 9,17

NOTES

NOTES

NOTES

NOTES

NOTES

NOTES

NOTES

GENERAL TERMS AND CONDITIONS OF SALES

The following terms of sale and delivery are totally accepted without reserve at the placing of the order and they cancel any other previous terms.

1. All specifications contained in the catalogue, the pictures and drawings shall be deemed to be merely approximative and they do not commit the manufacturer to a faithful execution of all details. The manufacturer reserves the right to make any changes in the products that the experience and the technical developments may suggest.
2. No changes to the order are allowed once the production cycle has begun.
3. All orders are "subject to the house approval" and all our quotations are not binding and sale excepted.
4. Our prices are subject to changes at any time, with no obligation to give prior notice, on the ground of increases in the cost of raw materials, labour or anything else involved in the production cycle of the goods and in any case they are not binding unless confirmed by ATI DI MARIANI SRL.
5. All claims for obvious defect of the products, which are not related to transport, or for non conformity to the order placed, shall be made in writing and sent by registered letter within eight days from the date of the receipt of the goods. After this term no claim will be accepted. The goods considered to be defective shall be returned to our warehouse, upon our authorisation, free of all transport costs.
6. In the event of damage or shortages, the purchaser shall issue due reservations to the carrier on the delivery note at the time of delivery.
7. The goods shall always be delivered ex our factory. If, because of special agreements, the delivery is carriage free, the goods shall in any case be considered as delivered on lorry but not unloaded: therefore, all costs and risks deriving from the unloading are at the purchaser's charge. The goods always travel at the purchaser's risk, even if sold ex destination.
8. In the event of delay in the delivery for reasons that are independent from ATI's will, the purchaser shall be entitled neither to demand compensations of any kind, nor to cancel or change the order.
9. In the event any of the above terms is not fulfilled by the purchaser and, in particular, in case of delay in payments or failure to pay one or more instalments, the vendor shall be entitled to take legal action and to terminate the agreement with no obligation to any other supply in process. Any possible claim does not entitle the purchaser to delay payments.
10. The goods shall be returned to ATI, only in special cases and when authorised by ATI, always free of all transport costs provided that they have not been used and are in perfect conditions.
11. In the event of sales outside Italy, this agreement will be governed by the Italian law.
12. If any dispute should arise between the parties, the Forlì Court shall have the sole jurisdiction thereover.

**Attention: things to be done
before signing the delivery note**

1. **Check the quantity of parcels received: it has to correspond to the quantity stated on the delivery note.**
2. **Check the labels on the parcels: they have to state the correct delivery address.**
3. **Check the condition of the parcels: they have to be neither damaged, nor tampered.**
4. **If something anomalous is found, sign the delivery note with RESERVATION and specify the faultiness (i.e. reservation for missing parcel, for damaged box, etc.)**

N.B. Making the reservation is a right enacted by the Civil Code (art. 1698). Generic reservations have no legal recognition (i.e. we reserve the right to check the parcels, etc.); therefore making the reservation in front of the courier, specifying the exact faultiness, is essential.





ATI DI MARIANI SRL

Via E. Mattei, 461
zona Industriale n° 4 Torre del Moro
47522 Cesena (FC) - Italia

Tel.: +39 0547 609711
Web: www.atimariani.it
Email: info@atimariani.it

GPS coordinates 44°9'34.79"N 12°12'42.19"E



The manufacturer assumes no responsibility for any errors or inaccuracies in the content of this price list. ATI reserves the right to make changes to its products, at any time and without notice, changes deemed appropriate for technical improvements or commercial needs, in the constant pursuit of quality improvement. Drawings and photos relating to the products are not contractual.